



# Product Catalogue 2025



# Contents

|                                  |   |            |
|----------------------------------|---|------------|
| <b>CORPORATE SETUP</b>           | The Emak Group                            | <b>4</b>   |
| <b>ZERO EMISSIONS</b>            | Outdoor Power Equipment                   | <b>6</b>   |
| <b>CUTTING AND PRUNING</b>       | Battery-powered products, 40 V range      | <b>12</b>  |
| <b>CUTTING GRASS</b>             | Battery-powered products, 56 V range      | <b>28</b>  |
| <b>TREATMENTS AND IRRIGATION</b> | Chainsaws                                 | <b>42</b>  |
| <b>PREPARING THE GROWN</b>       | Pruners                                   | <b>58</b>  |
| <b>CLEANING</b>                  | Hedgetrimmers                             | <b>64</b>  |
| <b>TRANSPORTING</b>              | Brushcutters                              | <b>70</b>  |
| <b>POWER GENERATION</b>          | Lawnmowers                                | <b>106</b> |
| <b>SAFETY AND ACCESSORIES</b>    | Robot Mowers                              | <b>122</b> |
| <b>EMAK ENGINES</b>              | Scarifiers                                | <b>126</b> |
|                                  | Wheeled brushcutters                      | <b>130</b> |
|                                  | Flail mowers                              | <b>136</b> |
|                                  | Garden Tractors                           | <b>142</b> |
|                                  | Water Pumps                               | <b>156</b> |
|                                  | Backpack Mistblowers                      | <b>160</b> |
|                                  | Rotary Tillers/Two-wheeled tractors       | <b>164</b> |
|                                  | Earth Augers                              | <b>170</b> |
|                                  | Blowers and Vacuum Cleaners               | <b>172</b> |
|                                  | High-pressure Washers                     | <b>176</b> |
|                                  | Transporters                              | <b>184</b> |
|                                  | Power generators                          | <b>188</b> |
|                                  | Fuels, Lubricants and various Accessories | <b>194</b> |
|                                  | Protective Clothing                       | <b>200</b> |
|                                  | Outdoor Clothing                          | <b>212</b> |
|                                  | Gardening Line                            | <b>220</b> |
|                                  | Agricultural Line                         | <b>234</b> |

# Symbols

|  |   |  |  |
|--|---|--|--|
|  | <b>Constant Power</b><br>Motor control electronic system designed to guarantee unvarying performance irrespective of battery charge.  |  | <b>AlwaysOn</b><br>On/off switch that returns automatically to the "on" position after each stop, thus eliminating the risk of flooding the carburettor.   |
|  | <b>EasyOn</b><br>User-friendly starting system ensures a smooth pick-up of the engine with no kickback, and limits the number of pulls required.  |  | <b>PlusCut</b><br>Multifunction lawnmowers with collection or mulching system (in mulching operation the grass cuttings are finely shredded and distributed over the lawn surface where they decompose rapidly to become an efficient natural fertiliser). |
|  | <b>EasyStart</b><br>System that offers the same advantages as the EasyOn system but with the addition of reduced kickback, thanks to a double starter spring.   |  | <b>iK-GO</b><br>Emak engine with electric starter running on a rechargeable battery.   |
|  | <b>Decompressor</b><br>The compression ratio in the cylinder reduces when the starter is pushed in, allowing the engine to be started with less effort.   |  | <b>InstartIS</b><br>Briggs & Stratton engine with electric starter running on a rechargeable battery.  |
|  | <b>Lateral chain tensioner</b><br>This device simplifies tensioning adjustments while avoiding any contact with the chain.  |  | <b>ReadyStart</b><br>System that automatically detects the engine temperature and feeds the optimal quantity of fuel to the carburettor. No need for primer or closing of the choke.   |
|  | <b>OnBoard Clutch</b><br>Reduces the risk of the clutch jamming and simplifies routine maintenance while also making for easier chain replacements.   |  | <b>3-cutting device</b><br>Versatile cutting system that includes mulching, pick-up and deflector for rear discharge (optional).   |
|  | <b>EasyLift</b><br>The folding rear handgrip covering the filler caps is ergonomic and provides access to the tanks without using tools.  |  | <b>4-cutting device</b><br>Versatile cutting system that includes mulching, collection and side discharge as standard, with optional deflector for rear discharge.   |
|  | <b>VibCut</b><br>An antivibration system that isolates the engine from the handles and the body of the machine, considerably reducing the vibrations transmitted to the user during operation so as to guarantee maximum comfort and easy handling. |  | <b>Deck Wash</b><br>Quick-fit connector for washing the cutting deck after use. Convenient and practical, it helps keep the deck in tip-top condition at all times.  |
|  | <b>SRS Safety Release System</b><br>Innovative quick release system allowing the operator to step away from the machine in an instant, for maximum protection and safety.   |  | <b>Premium Safety</b><br>A complete line of protective work clothing. Ensures maximum safety without restricting movement.   |
|  | <b>4-Stroke</b><br>The 4-stroke engine significantly reduces fuel consumption compared with a conventional 2-stroke engine.   |  | <b>Original accessories and spare parts</b><br>Quality mark identifying original Emak parts and accessories. Designed to the most stringent quality standards, these items guarantee smoother operation of the machine and longer service life.            |



# The Emak Group

## Our Vision

### "Innovative solutions for the best customer value"

We aim to operate as one of the world's foremost players in the development, production and distribution of machines, components and accessories for gardening, agriculture, forestry and industry, with an offering of innovative products and services designed to make the work of our clients in the consumer and professional markets efficient and enjoyable, guaranteeing that they always receive the highest possible value.



## Structure

The **Emak Group** is active in the development, production and worldwide sale of an extensive range of products for three business segments:

### Outdoor Power Equipment

- products for gardening, forestry and agriculture, including brushcutters, lawnmowers, garden tractors, chainsaws, rotary tillers and rotary cultivators.

### Pumps and Water Jetting

- products for agriculture, including centrifugal and diaphragm pumps for crop spraying and weed control;
- products for industry, including pumps for industrial applications and high and very-high pressure systems;
- products for cleaning, namely professional and semiprofessional high-pressure washers, floor scrubber-dryers and vacuum sweepers.

### Components and Accessories

- products such as trimmer line and line heads for brushcutters, accessories for chainsaws, guns, valves and nozzles for high-pressure washers and for agricultural applications, plus precision farming products (sensors and computers).

The group has approximately **2,500 employees** overall.





# The Emak Group

## Divisions and Product Range

### Outdoor Power Equipment



**Oleo-Mac**

**efco**

**BERTOLINI**

**TRIBIBI**

### Pumps and Water Jetting



**COMET**

**LEMASA**

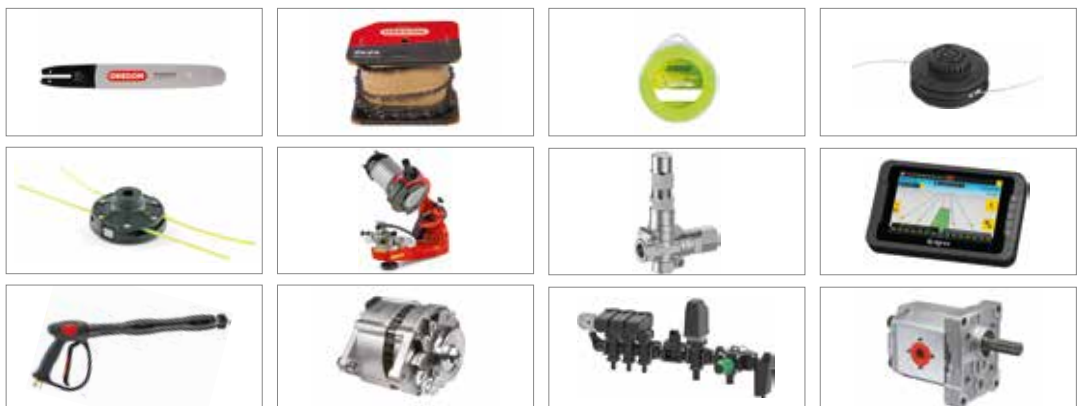
**PTC**

**LAVOR**

**VALLEY INDUSTRIES**

**FOLI** MICROSCOPE CLEANING MACHINES

### Components and Accessories



**SABART** Our power, your passion

**FORESTAL**

**STRONG**

**TP**

**TRBL**

**tecomec**

**SPEED FRANCE**

**Agres**

**spraycom** by Tecomec

**MIRLUSON**

# Outdoor Power Equipment

## Our Passion

**Emak's** green ethos is made up of certainty, innovation and completeness. Our green credentials are based on care, respect, passion and design focus. That's why, with our **Efco**, **Oleo-Mac**, **Bertolini** and **Nibbi** brands, **Emak** stands as a benchmark in groundcare and garden maintenance for professionals and amateurs alike. A passion that has been all-Italian for more than 50 years. There's an **Emak** for everyone.



## Structure

**Emak** operates in the **Outdoor Power Equipment** segment through **9** companies engaged in the development, production and sale of products for gardening and forestry, and small agricultural machines, including brushcutters, lawnmowers, garden tractors, chainsaws, rotary tillers and rotary cultivators.



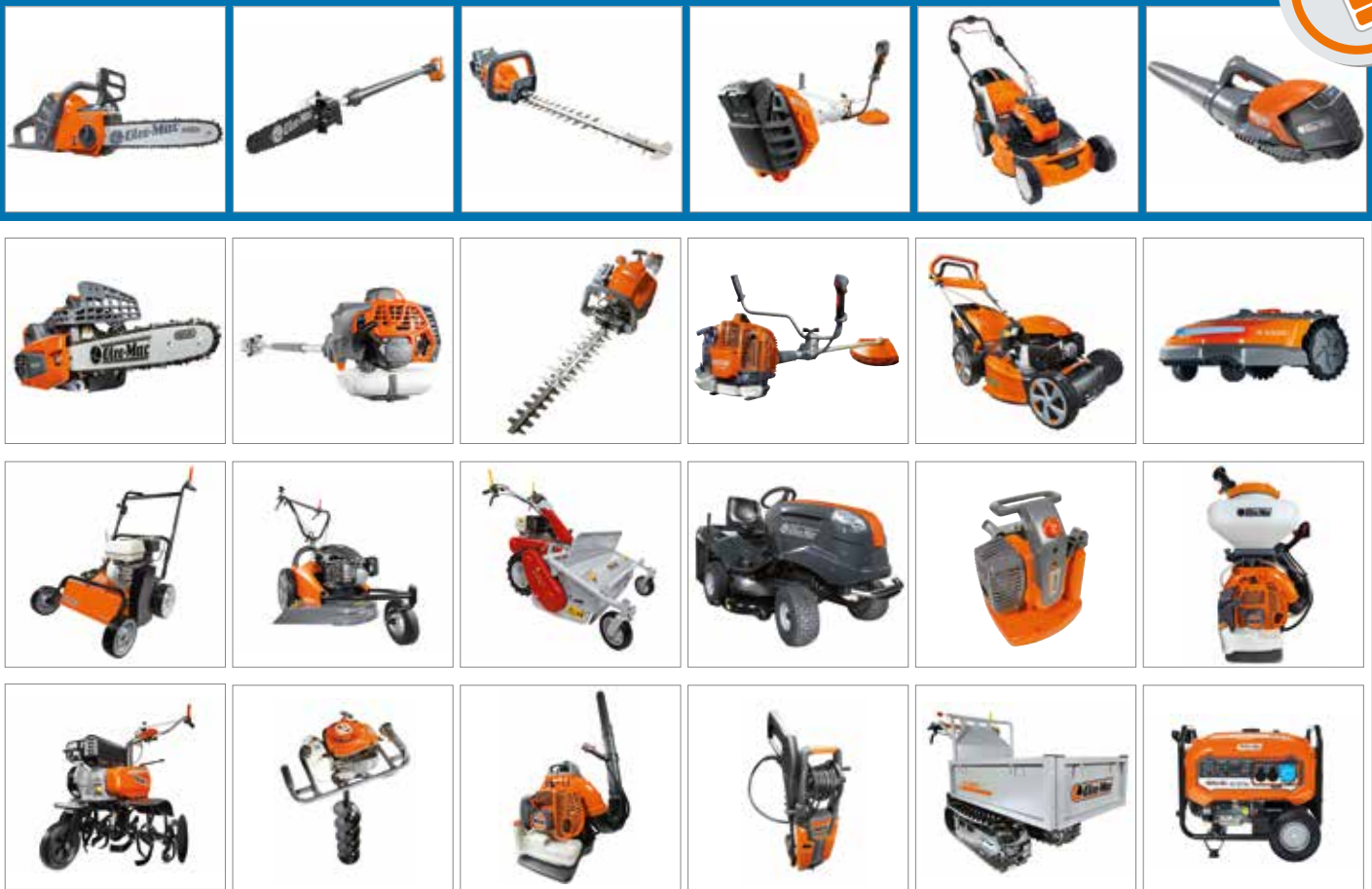
## Facts and Figures

- 4 brands
- 4 production units
- 8 countries with direct presence
- ~800 personnel
- 200 dealers nationwide
- 110 countries served
- 24 product families
- 270 models



# Outdoor Power Equipment

## Products and Accessories Range



Gardening, farming and forestry tools for home users and professionals. **Oleo-Mac** covers all shades of green. With different models to meet each user's needs but all sharing the same exceptional quality standards in terms of performance, reliability, comfort and safety. The accessories range is offered as an extension and completion of the product range. Ergonomics, quality and styling are essential ingredients of the development of **Oleo-Mac's** products: primarily designed to meet the needs of professionals whilst also taking care of the requirements of less expert users who insist on the very best. A truly comprehensive range of superb quality products at highly competitive prices – that's the **Oleo-Mac** formula.

### Home-plus



#### Home-plus

A range of machines aimed at the home user, for tidying and cleaning the garden, cutting hedges and small trunks or stems, and DIY jobs in general. Characterized by lightweight and compact construction, to make the task of the operator that much simpler. Easy to start, easy to use, easy to maintain: these are the ideal tools for getting things done quickly and neatly around the home.

### Tough-tech



#### Tough-tech

Solid and dependable, these are machines designed for heavy and frequent use in countryside environments: clearing overgrown and uncultivated areas, pruning and cutting firewood, crop irrigation and disinfestation tasks. Designed adopting solutions certain to ensure high work rates and maximum durability over time.

### Sharp-pro



#### Sharp-pro

No-nonsense everyday tools for the busy professional, these are machines that stand out for the toughness of their components, their high performance and their matchless long-term durability. Specific materials used in construction guarantee unwavering quality even when tackling the most severe and lengthy of tasks, like forestry work and the clearance of uncultivated areas or scrub and undergrowth.







# The New Products

## Battery-powered products, 40 V range

|  |    |
|--|----|
| Pruners<br>PPi 35                      | 15 |
| Shaft Hedgetrimmers<br>BCi 35 HL       | 17 |
| Brushcutters<br>BCi 35                 | 19 |
| Multifunction Brushcutters<br>BCi 35 D | 20 |

## Battery-powered products, 56 V range

|  |                |
|--|----------------|
| Pruners<br>PPXi 530                            | 30             |
| Hedgetrimmers<br>HCi 560                       | 31             |
| Shaft Hedgetrimmers<br>BCi 530 HL              | 32             |
| Brushcutters<br>BCi 530 S<br>BCi 530 T         | 33<br>33       |
| Multifunction Brushcutters<br>BCi 530 D        | 34             |
| Lawnmowers<br>Gi 548 P<br>Gi 548 V<br>Gi 553 V | 36<br>36<br>36 |
| Blowers<br>BVi 570                             | 37             |

## Chainsaws

|                               |    |
|-------------------------------|----|
| GS series compact<br>GS 210 E | 44 |
|-------------------------------|----|

## Hedgetrimmers

|   |          |
|---|----------|
| BC series with shaft<br>BC 241 HC<br>BC 241 HCL | 69<br>69 |
|---|----------|

## Robot mowers

|  |            |
|--|------------|
| Up to 1000 m <sup>2</sup><br>R 500i<br>R 1000i | 124<br>124 |
| Up to 2000 m <sup>2</sup><br>R 2000i           | 125        |

## Flail mowers

|                       |     |
|-----------------------|-----|
| WB series<br>WB 80 TR | 141 |
|-----------------------|-----|

## Garden Tractors

|  |                   |
|--|-------------------|
| Side-discharge<br>OM 99 L/12,5 K M<br>OM 109 L/19 K V                | 145<br>145        |
| Rear-discharge<br>OM 92 R/19 K V<br>OM 102 R/16 K<br>OM 102 R/19 K V | 147<br>148<br>148 |

|   |            |
|---|------------|
| All-terrain garden tractors<br>APACHE 92 PRO 2WD<br>APACHE 92 PRO 4WD | 151<br>151 |
|---|------------|

## Rotary Tillers/Two-Wheeled Tractors

|  |     |
|--|-----|
| RC series two-wheeled tractors<br>RC 350 | 169 |
|--|-----|

## Power generators

|                              |     |
|------------------------------|-----|
| Charging station<br>PSi 1650 | 193 |
|------------------------------|-----|

## Outdoor Clothing

|     |
|-----|
| 212 |
|-----|

|                                  |  |                                    |
|----------------------------------|--|------------------------------------|
| <b>ZERO EMISSIONS</b>            | CUTTING WOOD FOR FIREPLACES, SMALL PRUNING, DIY JOBS WITH A BATTERY-POWERED CHAINSAW | <b>Battery-powered products</b>    |
|                                  | CUTTING HEDGES WITH SMALL STEMS WITH A BATTERY-POWERED HEDGETRIMMER                  |                                    |
|                                  | FINISHING THE LAWN ON SMALL AND FLAT GROUND WITH A BATTERY-POWERED BRUSHCUTTER       |                                    |
|                                  | CUTTING THE GARDEN LAWN WITH A BATTERY-POWERED LAWNMOWER                             |                                    |
|                                  | CLEAR LEAVES WITH A BATTERY-POWERED BLOWER   |                                    |
|                                  | PRUNING TREES WITH A BATTERY-POWERED PRUNER  |                                    |
| <b>CUTTING AND PRUNING</b>       | CUTTING WOOD FOR FIREPLACES, SMALL PRUNINGS, DIY JOBS                                | <b>Chainsaws</b>                   |
|                                  | LIMBING UP, CUTTING OF SMALL PLANTS AND FIREWOOD                                     |                                    |
|                                  | CUTTING DOWN AND CUTTING UP LARGE TREES  |                                    |
|                                  | PRUNING TREES  | <b>Pruners</b>                     |
|                                  | CUTTING HEDGES WITH SMALL STEMS  | <b>Hedgetrimmers</b>               |
|                                  | CUTTING LARGE HEDGES WITH DENSE VEGETATION   |                                    |
| <b>CUTTING GRASS</b>             | FINISHING OFF THE LAWN ON SMALL AND FLAT GROUND                                      | <b>Brushcutters</b>                |
|                                  | FINISHING OFF THE LAWN ON LARGE TRACTS OF LAND                                       |                                    |
|                                  | FINISHING OFF THE LAWN ON WIDE AND DISCORDANT TERRAIN                                |                                    |
|                                  | CUTTING RUSHES, CLEANING THE UNDERGROWTH   |                                    |
|                                  | CUTTING THE LAWN IN THE GARDEN   | <b>Lawnmowers</b>                  |
|                                  | CUTTING THE GARDEN LAWN AUTOMATICALLY  | <b>Robot mowers</b>                |
|                                  | SCARIFYING THE LAWN  | <b>Scarifiers</b>                  |
|                                  | TRIMMING AND MOWING GRASS, WEEDS, INVASIVE VEGETATION                                | <b>Wheeled brushcutters</b>        |
|                                  |  | <b>Flail mowers</b>                |
|                                  | CUTTING THE LAWN GRASS ON A LARGE SCALE  | <b>Garden Tractors</b>             |
| <b>TREATMENTS AND IRRIGATION</b> | IRRIGATING PLANTS, VINEYARDS, ORCHARDS   | <b>Water Pumps</b>                 |
|                                  | DISINFESTING PLANTS, VINEYARDS, ORCHARDS   | <b>Backpack Mistblowers</b>        |
| <b>PREPARING THE GROWN</b>       | SOWING AND CULTIVATING   | <b>Rotary Tillers</b>              |
|                                  | DRILLING THE SOIL  | <b>Earth Augers</b>                |
|                                  | CULTIVATING A SMALL-SIZED PLOT   | <b>Two-wheeled tractors</b>        |
| <b>CLEANING</b>                  | BLOWING AND COLLECTING LEAVES  | <b>Blowers and Vacuum Cleaners</b> |
|                                  | BLOWING LEAVES, OLIVES, HAZELNUTS  |                                    |
|                                  | WASHING THE CAR, WASHING THE OUTSIDE FLOORING  | <b>High-pressure Washers</b>       |
| <b>TRANSPORTING</b>              | TRANSPORTING LOADS, WOOD, SOIL   | <b>Transporters</b>                |
| <b>POWER GENERATION</b>          | GENERATE POWER FOR HOUSEHOLD TOOLS AND LEISURE EQUIPMENT                             | <b>Power generators</b>            |



# Product Range

HOME      COUNTRYSIDE      WOODLAND      URBAN

|                                      |  |  |  |
|--------------------------------------|--|--|--|
| Chainsaws                            | GSi 30   |  |  |
| Hedgetrimmers                        | HCi 45 / BCi 35 HL   | HCi 560 / BCi 530 HL                     |  |
| Brushcutters                         | BCi 30   | BCi 35 / BCi 35 D<br>BCi 530 / BCi 530 D | BCi 530<br>BCi 530 D   |
| Lawnmowers                           | Gi 40 / Gi 44 / Gi 48  | Gi 548 / Gi 553                          |  |
| Blowers                              | BVi 60 BOOST   | BVi 570                                  |  |
| Pruners                              | PPi 35   | PPXi 530                                 |  |
| Electric                             | GS 210 E   |  |  |
| H series compact                     | GSH 40 / GSH 400   |  |  |
| GS series compact                    | GS 371 / GS 411  |  |  |
| H series medium power                | GSH 51 / GSH 510 / GSH 56 / GSH 560  |  |  |
| GS series medium power               | GS 451 / GS 520  |  |  |
| GS series professional               | GS 630 / GS 650 / GS 651   |  |  |
| H series Pruning                     | GSTH 240   |  |  |
| GS series Pruning                    | GST 250 / GST 360  |  |  |
| H series pruners                     | PPH 250  |  |  |
| Telescopic Pruners                   | PPX 275  |  |  |
| Electric                             | HC 605 E / HC 750 E  | HC 246 P / HC 247 P / HCS 247 P          |  |
| Professional                         | BC 241 H / BC 241 HL / BC 241 HC / BC 241 HCL  |  |  |
| Shaft                                |  |  |  |
| Electric                             | TR 61 E / TR 91 E  |  |  |
| H series lightweight                 | BCH 25 / BCH 250   |  | BCH 25 / BCH 250   |
| H series lightweight multifunction   | BCH 25 D / BCH 250 D   |  | BCH 25 D / BCH 250 D   |
| SPARTA series lightweight            | SPARTA 25 / SPARTA 250   |  |  |
| BC series lightweight                | BC 241   |  | BC 241   |
| BC series lightweight multifunction  | BC 241 D   |  | BC 241 D   |
| H series 4-stroke                    | BCH 310  |  | BCH 310  |
| H series medium power                | BCH 310 / BCH 40<br>BCH 400 / BCH 50<br>BCH 500  |  | BCH 310 / BCH 40<br>BCH 400 / BCH 50<br>BCH 500  |
| SPARTA series medium power           | SPARTA 381 / SPARTA 441  |  |  |
| BC series medium power               | BC 270 / BC 300 / BC 350   |  | BC 270 / BC 300 / BC 350   |
| BC series medium power multifunction | BC 300 D   |  |  |
| Professional                         | BC 400 / 741 / 746 / 753 / 755 MASTER<br>BC 530 / BC 540 / BC 540 MASTER / BC 550 MASTER |  |  |
| Backpack                             | SPARTA 441 / BCF 550 / BCF 540   |  |  |
| Electric                             | K 35 / K 40 / G 44 / G 48  |  |  |
| COMFORT push-type and self-propelled | G 44 / G 48  |  |  |
| COMFORT PLUS push-type               | G 44 / G 48  |  |  |
| COMFORT PLUS self-propelled          | G 44 / G 48 / G 53   |  |  |
| ALLROAD PLUS 4 self-propelled        | G 48 / G 53  |  |  |
| ALLROAD ALUMINIUM self-propelled     | MAX 48 / MAX 53  |  | MAX 48 / MAX 53  |
| ALUMINIUM PRO self-propelled         | MAX 53   |  | MAX 53   |
| LUX 55 self-propelled professional   | LUX 55   |  | LUX 55   |
| Up to 1000 m <sup>2</sup>            | R 500i / R 1000i   |  |  |
| Up to 2000 m <sup>2</sup>            | R 2000i  |  | R 2000i  |
| For home use                         | SCA 38 R   | SCA 50 H                                 |  |
| Professional                         | DEB 517  |  | SCA 50 H   |
| For home use                         | DEB 519  |  | DEB 519  |
| For intensive use                    | DEB 5159 / DEB 529   |  |  |
| Professional                         | WB 50  |  |  |
| For home use                         | WB 65  |  |  |
| For intensive use                    | WB 80 / WB 100   |  |  |
| Professional                         | MISTRAL  |  |  |
| Rider                                | OM 99 / OM 109   |  |  |
| Side-discharge                       | OM 86 / OM 92 / OM 95 / OM 102 / OM 105<br>OM 106 / OM 124 / OM 125                      |  | OM 99 / OM 109<br>OM 86 / OM 92 / OM 95<br>OM 102 / OM 105 / OM 106<br>OM 124 / OM 125 |
| Rear-discharge                       | APACHE 92 PRO / CHEYENNE 110 4x4   |  |  |
| Professional all-terrain             |  |  |  |
| Self-priming Water Pumps             | WP 300 / SA 30 TLA   |  |  |
| Not self-priming Water Pumps         | SC 33  |  |  |
| Backpack                             | MB 80 / MB 800<br>AM 163   |  | MB 80 / MB 800<br>AM 163   |
| Compact                              | MH 155   |  |  |
| Medium power                         | MH 175 / MH 198  |  |  |
| Medium power                         | MTL 51   |  |  |
| Compact                              | RC 350   |  |  |
| Handheld                             | BV 250   |  |  |
| Backpack                             | BV 163 / BV 901  |  |  |
| Cold water                           | PW 115 / PW 125 / PW 140 / PW 150<br>PW 175 / PW 190 / PWX 200                           |  |  |
| Hot water                            | PW 250 HC / PW 300 HC  |  | PW 250 HC / PW 300 HC  |
| Compact                              | CR 340   |  |  |
| Professional                         | CR 450 / CR 560  |  |  |
| Up to 3 kW                           | PGE 25 / PGE 35  |  |  |
| Up to 6 kW                           | PGE 65 / PGE 65E / PGE 80E-3   |  |  |
| Inverter                             | PGE 23i / PGE 48i  |  |  |
| Charging station                     | PSi 1650   |  |  |

# The evolution of eco-friendly tools: quiet, practical and versatile.

## Technology and comfort

The **Oleo-Mac** battery-powered range is the latest evolution of DIY power tools for gardening activities. They combine efficient performance with convenient and easy use thanks to the battery operation. Switching to **Oleo-Mac** battery-powered products removes the hassle of preparing fuel/oil mixture, making sure it doesn't deteriorate, and dealing with oil and fuel spills. The battery used is a high-tech device, compatible with a huge number of charging cycles equivalent to many years of use, whether fully charged or partially charged. The battery is also completely interchangeable, functioning like an energy store that's always ready for use with any application in the range. Finally, **Oleo-Mac** battery-powered tools deliver the all-important guarantee of environmental respect, thanks to the absence of combustible fuel and the elimination of noise pollution. The attractive styling of **Oleo-Mac** battery-powered products makes them absolutely unique and iconic in the field of garden maintenance equipment.



Exterior mounted battery to reduce structural bulk without reducing ruggedness or increasing weight.



Machines designed for optimal balance and minimal operator fatigue.



Fully interchangeable batteries rated 2.0 or 5 Ah, compatible with all applications in the range.



Motor control electronic system designed to guarantee unvarying performance irrespective of battery charge.



Adjustable speed blower to provide exactly the right power for the job in hand.



Steel deck lawnmower, cutting diameter of 41 or 46 cm, with facility to operate also with a double battery for the utmost flexibility.









# Chainsaws

The cordless battery-powered chainsaw is the perfect tool for pruning, cutting branches and small and medium-sized firewood. The battery-powered chainsaw stands out for its compact and ergonomic design for more comfortable use of the tool. Equipped with a top notch Oregon cutting tool with high-strength thin chain for optimal penetration, the **GSi 30** battery-powered chainsaw is ideal for DIY duties, eliminating the exhaust fumes and noise of a petrol engine tool with no compromise in terms of performance and reliability.



Low weight and compact dimensions.



Oregon 12" bar and chain.



No-tools chain adjustment.



## GSi 30

|   |  |
|---|--|
| Motor type                                  | Brushless                                  |
| Voltage                                     | 40 V                                       |
| Operating batteries                         | Bi 5,0 OM                                  |
| Bar type                                    | Oregon, sprocket-nose                      |
| Bar length                                  | 30 cm / 12"                                |
| Chain pitch                                 | 3/8" x .043"                               |
| Chain speed                                 | 16 m/s                                     |
| Oiler                                       | automatic/zero oil flow with motor stopped |
| Oil reservoir capacity                      | 0.2 L                                      |
| Chain tensioner                             | tool-free, knob system                     |
| Working time up to (*)                      | 160 cuts                                   |
| Dry weight (without battery, bar and chain) | 2.8 kg                                     |
| Charging time with CRG                      | 220' (5.0 Ah)                              |
| Charging time with FAST CRG                 | 90' (5.0 Ah)                               |

(\*) Cut of wood section up to 10 cm diameter.

Working time can be subject to variations according to working conditions and type of wood to be cut

# Pruners



Designed for pruning trees with the ability to cut medium-sized branches even at heights above 2.5 m, the **PPi 35** pruner combines the right amount of power with the advantages of battery-powered machines. The motor's positioning adjacent to the battery, means that cutting visibility and weight distribution are excellent, thus limiting fatigue when used for long hours at a stretch.



Brushless motor located adjacent to the battery for the best possible weight distribution.



Excellent working visibility thanks to the small-sized cutting tool.



Exceptional reliability thanks to the Ø 8 mm rigid drive shaft running on 6 self-lubricating plain bearings.



Rest support for attaching to base of the power unit (optional).  
**54340011R**



## PPi 35

|   |                                      |
|---|--------------------------------------|
| Motor type  | Brushless                            |
| Voltage   | 40 V                                 |
| Operating batteries   | Bi 2,0 OM / Bi 5,0 OM                |
| Shaft arm diameter  | 26 mm                                |
| Bar length (nose)   | 25 cm/10" (sprocket-nose)            |
| Chain (pitch x gauge)   | 3/8" x .050"                         |
| Oil reservoir capacity  | 0,13 L                               |
| Sound power/sound pressure level                                | ND                                   |
| Vibration level lh/rh   | ND                                   |
| Running time, light use (*)                                     | 45 cuts (2.0 Ah) / 115 cuts (5.0 Ah) |
| Running time, intensive use (*)                                 | 30 cuts (2.0 Ah) / 75 cuts (5.0 Ah)  |
| Overall length of machine                                       | 2.1 m                                |
| Weight of complete machine without guide bar, chain and battery | 3.8 kg                               |
| Charging time with CRG  | 88' (2.0 Ah) / 220' (5.0 Ah)         |
| Charging time with FAST CRG                                     | 40' (2.0 Ah) / 90' (5.0 Ah)          |

(\*) Cut of wood section up to 10 cm diameter.

Working time can be subject to variations according to working conditions and type of wood to be cut.



# Hedgetrimmers

The freedom of movement allowed by the absence of a power cable makes battery-powered hedgetrimmers ideal for duties around the garden. Equipped with high quality laser-treated blades to ensure high cutting precision without damaging vegetation, battery-powered hedgetrimmers are the perfect solution thanks to their ergonomic design and total absence of exhaust emissions. The rugged gearbox ensures reliability and long life, while the batteries provide up to 2 hours of continuous operation so that jobs can be completed on a single charge.



High quality laser-sharpened 45 cm blades.



Very long working times.



Dual action.



## HCi 45

|                                 |                              |
|---------------------------------|------------------------------|
| Motor type                      | Brushed                      |
| Voltage                         | 40 V                         |
| Operating batteries             | Bi 2,0 OM / Bi 5,0 OM        |
| Blade type                      | dual action                  |
| Blade length                    | 45 cm                        |
| Blade tooth spacing             | 20 mm                        |
| Sound pressure/power level      | 81.4/90 dB(A)                |
| Lh/rh vibration level           | < 2.5 m/s <sup>2</sup>       |
| Running time, light use (*)     | 48' (2.0 Ah) / 120' (5.0 Ah) |
| Running time, intensive use (*) | 36' (2.0 Ah) / 90' (5.0 Ah)  |
| Weight without battery          | 3.0 kg                       |
| Charging time with CRG          | 88' (2.0 Ah) / 220' (5.0 Ah) |
| Charging time with FAST CRG     | 40' (2.0 Ah) / 90' (5.0 Ah)  |

(\*) Indicative data which may vary depending on working conditions and the type of vegetation cut



# Shaft Hedgetrimmers



With the **BCi 35 HL** shaft hedge trimmer, tending tall hedges above average height is no longer a challenge. This tool effectively combines low weight, performance and strength, starting with the powerful brushless motor and steel shaft arm that drive the articulating blade.



Brushless motor located adjacent to the battery for best possible weight distribution.



Excellent working visibility thanks to the small-sized cutting tool.



Rest support: to make it easier for the user, a support is provided as standard for attaching to the base of the power unit.



Steel blades adjustable through 12 different positions from 0° to 180°, ensuring precise cutting that adapts to different types of hedges.



## BCi 35 HL

|                                  |   |
|----------------------------------|---|
| Motor type                       | Brushless                                       |
| Voltage                          | 40 V  |
| Operating batteries              | Bi 2,0 OM / Bi 5,0 OM                           |
| Shaft arm diameter               | 26 mm   |
| Blade speed                      | 2700 cuts/min                                   |
| Blade length                     | 400 mm  |
| Blade pitch                      | 30 mm   |
| Articulating blade               | articulates through 12 positions from 0 to 180° |
| Sound power/sound pressure level | ND  |
| Lh/rh vibration level            | ND  |
| Running time, light use (*)      | 27' (2.0 Ah) / 67' (5.0 Ah)                     |
| Running time, intensive use (*)  | 20' (2.0 Ah) / 50' (5.0 Ah)                     |
| Overall length of machine        | 2.35 m  |
| Weight without battery           | 4.8 kg  |
| Charging time with CRG           | 88' (2.0 Ah) / 220' (5.0 Ah)                    |
| Charging time with FAST CRG      | 40' (2.0 Ah) / 90' (5.0 Ah)                     |

(\*) Indicative data which may vary depending on working conditions and the type of vegetation cut



# Brushcutters

**BCi 30** is an irreplaceable tool for working around the garden. It combines the low weight and ease of use typical of battery-powered tools with the practicality of the Load&Go line head, for easy loading without the use of tools, plus a 30 cm cutting diameter and 2 mm diameter "Pro-Silent" line.



Rugged and well-balanced handle.



30 cm cutting diameter.



Load&Go head.



## BCi 30

|                                 |   |
|---------------------------------|---|
| Motor type                      | Brushed   |
| Voltage                         | 40 V  |
| Operating batteries             | Bi 2,0 OM / Bi 5,0 OM                                   |
| Cutting diameter                | 30 cm   |
| Cutting equipment               | 103 mm dia. Load&Go line head with 2 mm dia. nylon line |
| Handle                          | single, adjustable                                      |
| Sound pressure/power level      | 76/87 dB(A)   |
| Lh/rh vibration level           | < 2.5 m/s <sup>2</sup>                                  |
| Running time, light use (*)     | 24' (2.0 Ah) / 60' (5.0 Ah)                             |
| Running time, intensive use (*) | 16' (2.0 Ah) / 40' (5.0 Ah)                             |
| Weight without battery          | 2.9 kg  |
| Charging time with CRG          | 88' (2.0 Ah) / 220' (5.0 Ah)                            |
| Charging time with FAST CRG     | 40' (2.0 Ah) / 90' (5.0 Ah)                             |

(\*) Indicative data which may vary depending on working conditions and the type of vegetation cut

# Brushcutters



With the **BCi 35** brushcutter, edges, lawns and flowerbeds can be successfully trimmed, even when overgrown with tougher wild grasses. The brushless motor, mounted adjacent to the battery, delivers all the power needed by the cutting head thanks to the 8 mm diameter steel shaft arm.



Brushless motor located adjacent to the battery for the best possible weight distribution.



Load&Go Compact head Ø 103 mm: for straightforward line replacement - takes just 20 seconds to rewind the line and get back to work.



Optional **HH 30** hedge trimmer tool can be attached to the brushcutter. **61469209**



## BCi 35

|                                 |  |
|---------------------------------|--|
| Motor type                      | Brushless  |
| Voltage                         | 40 V   |
| Operating batteries             | Bi 2,0 OM / Bi 5,0 OM                                  |
| Shaft arm diameter              | 26 mm  |
| Cutting diameter                | 30 cm  |
| Handle                          | single   |
| Cutting equipment               | 103 mm dia. Load&Go Compact line head with 2.4 mm line |
| Sound pressure/power level      | ND   |
| Lh/rh vibration level           | ND   |
| Running time, light use (*)     | 15' (2.0 Ah) / 38' (5.0 Ah)                            |
| Running time, intensive use (*) | 10' (2.0 Ah) / 25' (5.0 Ah)                            |
| Weight without battery          | 4.2 kg   |
| Charging time with CRG          | 88' (2.0 Ah) / 220' (5.0 Ah)                           |
| Charging time with FAST CRG     | 40' (2.0 Ah) / 90' (5.0 Ah)                            |

(\*) Indicative data which may vary depending on working conditions and the type of vegetation cut





# Multifunction brushcutters

Combining power and versatility, the **BCi 35 D** multifunction brushcutter is an excellent solution for home garden care. With just one motor it is possible to power multiple tools: brushcutter, hedge trimmer and pruner. The powerful brushless motor delivers the right amount of power needed by the different attachments to tackle different types of vegetation in home gardens up to medium size.



Brushless motor located adjacent to the battery for the best possible weight distribution.



The "no tools" quick coupling system makes it possible to switch between attachments easily and without using tools.



The hedge trimmer, pruner and extension attachments can also be used with the **BCH 250 D** motor unit.



Optional rest support makes the machine even easier to handle. **54340011R.**



## BCi 35 D

|                             |                              |
|-----------------------------|------------------------------|
| Motor type                  | Brushless                    |
| Mechanical power output     | ND                           |
| Voltage                     | 40 V                         |
| Operating batteries         | Bi 2,0 OM / Bi 5,0 OM        |
| Motor assembly weight       | 2.1 kg                       |
| Charging time with CRG      | 88' (2.0 Ah) / 220' (5.0 Ah) |
| Charging time with FAST CRG | 40' (2.0 Ah) / 90' (5.0 Ah)  |

# Multifunction brushcutters



|                                  | Pruner**    |
|----------------------------------|-------------|
| Overall length of machine        | 2.0 m       |
| Bar length                       | 25 cm/10"   |
| Chain (pitch x gauge)            | 3/8"x .050" |
| Oil reservoir capacity           | 0.13 L      |
| Shaft arm diameter               | 26 mm       |
| Sound power/sound pressure level | ND          |
| Implement weight                 | 1.7 kg      |



\*\*Can also be used with **BCH 250 D** multifunction petrol engine brushcutter

|                                  | Hedgetrimmer**                                  |
|----------------------------------|---|
| Overall length of machine        | 2.2 m   |
| Blade length                     | 400 mm  |
| Blades                           | articulates through 12 positions from 0 to 180° |
| Blade pitch                      | 30 mm   |
| Shaft arm diameter               | 26 mm   |
| Sound power/sound pressure level | ND  |
| Implement weight                 | 2.2 kg  |



\*\*Can also be used with **BCH 250 D** multifunction petrol engine brushcutter

|                                       | Brushcutter   |
|---------------------------------------|---|
| Cutting components                    | 103 mm dia. Load&Go Compact head, with 2.4 mm dia. line |
| Shaft arm diameter                    | 26 mm   |
| Sound power/sound pressure level      | ND  |
| Vibration level lh/rh                 | ND  |
| Implement weight without cutting tool | 1.3 kg  |



|                    | Shaft extension** |
|--------------------|-------------------|
| Weight             | 0.9 kg            |
| Shaft arm diameter | 26 mm             |
| Length             | 1000 mm           |



\*\*Can also be used with **BCH 250 D** multifunction petrol engine brushcutter

# Lawnmowers

The transition to battery power offers significant benefits even for lawnmowers, including results that rival classic petrol engine machines. With these machines (of which **Gi 44** and **Gi 48** are also available in a self-propelled version), mowing duties benefit from ease of use, reduced noise levels and the complete elimination of exhaust gas. Forget about having to empty the fuel tank to prepare for winter storage, replace the spark plug, clean the air filter, or worry about stored fuel-oil mixture deteriorating: all this is no more than a distant memory with battery-powered motors, without any compromise in performance. The **Gi 44** and **Gi 48** are both equipped with a double battery housing, making it possible to extend running time with up to two 5 Ah batteries, sufficient for mowing larger areas. Both machines feature a steel deck, centralised cutting height adjustment controls, generously sized grass catcher and, for **Gi 48** models, a 4-in-1 cutting function, allowing for cutting without grass collection, with mulching system or side discharge. Model **Gi 40 P** is suitable for small gardens thanks to its compact plastic deck and maneuverability.



**Gi 40 P      Gi 44 P      Gi 44 T      Gi 48 P      Gi 48 T**

|                               |  |  |  |  |  |
|-------------------------------|--|--|--|--|--|
| Motor type                    | Brushless  | Brushless  | Brushless  | Brushless  | Brushless  |
| Voltage                       | 40 V   | 40 V   | 40 V   | 40 V   | 40 V   |
| Max no. of batteries          | up to 1  | up to 2  | up to 2  | up to 2  | up to 2  |
| Operating batteries           | Bi 2,0 OM / Bi 5,0 OM  | Bi 2,0 OM / Bi 5,0 OM  | Bi 5,0 OM  | Bi 5,0 OM  | Bi 5,0 OM  |
| Deck material                 | polypropylene  | steel  | steel  | steel  | steel  |
| Propulsion                    | push-type  | push-type  | self-propelled   | push-type  | self-propelled   |
| Cutting diameter              | 37 cm  | 41 cm  | 41 cm  | 46 cm  | 46 cm  |
| Cutting height                | from 18 to 60 mm   | from 28 to 75 mm   | from 28 to 75 mm   | from 28 to 75 mm   | from 28 to 75 mm   |
| Grass catcher capacity        | 40 L   | 70 L   | 70 L   | 70 L   | 70 L   |
| Mulching/Side-discharge       | not available/not available                                    | not available/not available  | not available/not available                                    | standard/standard  | standard/standard  |
| Mowing surface area up to (*) | 120 m <sup>2</sup> (1x2.0 Ah)<br>300 m <sup>2</sup> (1x5.0 Ah) | 140 m <sup>2</sup> (1x2.0 Ah)<br>280 m <sup>2</sup> (2x2.0 Ah)<br>350 m <sup>2</sup> (1x5.0 Ah)<br>700 m <sup>2</sup> (2x5.0 Ah) | 250 m <sup>2</sup> (1x5.0 Ah)<br>500 m <sup>2</sup> (2x5.0 Ah) | 250 m <sup>2</sup> (1x5.0 Ah)<br>500 m <sup>2</sup> (2x5.0 Ah) | 250 m <sup>2</sup> (1x5.0 Ah)<br>500 m <sup>2</sup> (2x5.0 Ah) |
| Weight without batteries      | 13 kg  | 23 kg  | 25 kg  | 27 kg  | 29 kg  |
| Charging time with CRG        | 88' (2.0 Ah) / 220' (5.0 Ah)                                   | 88' (2.0 Ah) / 220' (5.0 Ah)   | 220' (5.0 Ah)  | 220' (5.0 Ah)  | 220' (5.0 Ah)  |
| Charging time with FAST CRG   | 40' (2.0 Ah) / 90' (5.0 Ah)                                    | 40' (2.0 Ah) / 90' (5.0 Ah)  | 90' (5.0 Ah)   | 90' (5.0 Ah)   | 90' (5.0 Ah)   |

(\*) Cutting performance depends on several factors including: garden shape, surface characteristics (length, grass moisture), ground speed, type of cut (collection, mulching or side discharge)



# Blowers



With the leaf blower having become an essential piece of equipment for clearing work in the yard and garden, the **BVi 60 BOOST** is the most modern and practical version thanks to its battery operation, ideal power output for various duties, and air velocity control.



Outlet air speed regulator with BOOST function to further increase blowing force.



Constant performance irrespective of battery charge.



Well-balanced tool.



The coupling system with button makes the blower tube easier to assemble.



## BVi 60 BOOST

|                             |                                |
|-----------------------------|--------------------------------|
| Motor type                  | Brushless                      |
| Voltage                     | 40 V                           |
| Operating batteries         | Bi 2,0 OM / Bi 5,0 OM          |
| Max outlet air velocity     | 40 m/s (BOOST 50 m/s)          |
| Adjustable air velocity     | yes, specific command (roller) |
| Sound pressure/power level  | 88.6/98 dB(A)                  |
| Vibration level             | < 2.5 m/s <sup>2</sup>         |
| Running time, maximum speed | 12' (2.0 Ah) / 25' (5.0 Ah)    |
| Running time, minimum speed | 32' (2.0 Ah) / 82' (5.0 Ah)    |
| Weight without battery      | 2.8 kg                         |
| Charging time with CRG      | 88' (2.0 Ah) / 220' (5.0 Ah)   |
| Charging time with FAST CRG | 40' (2.0 Ah) / 90' (5.0 Ah)    |





# Bi Batteries

The **Oleo-Mac** range of batteries comprises two power ratings: 2.0 and 5 Ah, both of which are the same dimensions and perfectly interchangeable in all applications. Equipped with indicator system to overload cutout and battery charge. When the tool is in use the LEDs constantly show the charge status of the batteries.



Charge level constantly visible during use.

Optimised battery geometries and dimensions, to ensure a quick and safe grip in any situation.



|                             | Bi 2,0 OM         | Bi 5,0 OM         |
|-----------------------------|-------------------|-------------------|
| Charging time with CRG      | 88 min            | 220 min           |
| Charging time with FAST CRG | 40 min            | 90 min            |
| Voltage                     | 40 V              | 40 V              |
| Capacity                    | 2.0 Ah            | 5 Ah              |
| Technology                  | Lithium Ion cells | Lithium Ion cells |
| Charge levels               | 4 LEDs            | 4 LEDs            |
| Weight                      | 0.7 kg            | 1.3 kg            |

Not usable on **GSi 30** chainsaw and **Gi 44 T**, **Gi 48** lawnmowers

# CRG Battery chargers



For charging **Bi 2,0 OM** and **Bi 5,0 OM** batteries and keeping them in perfect condition. Use of the latest electronics means batteries are charged in complete safety to maximise their working life and minimise mains power consumption. The **FAST CRG** charger also makes it possible to have the charging time: this means it takes just 40 minutes to charge the 2.0 Ah battery. GS and ETI certified, the battery chargers are available with different plug types (EU, UK and US standard).



The battery charger body is designed to allow it to be hung on a wall.



LED indicator with legend to instantly identify the battery status.



|                                 | CRG                 | FAST CRG            |
|---------------------------------|---------------------|---------------------|
| Voltage                         | 110-240 V, 50-60 Hz | 110-240 V, 50-60 Hz |
| Bi 2,0 OM battery charging time | 88 min              | 40 min              |
| Bi 5,0 OM battery charging time | 220 min             | 90 min              |
| Weight                          | 0.6 kg              | 1.0 kg              |



# Battery-powered products, 40 V range



|   |        | Chainsaw* |           | Pruner* |           | Hedgetrimmer |           | Shaft Hedgetrimmer |           | Brushcutter |           |        |           |    |
|---|--------|-----------|-----------|---------|-----------|--------------|-----------|--------------------|-----------|-------------|-----------|--------|-----------|----|
|   |        | GSi 30    |           | PPi 35  |           | HCi 45       |           | BCi 35 HL          |           | BCi 30      |           | BCi 35 |           |    |
|   |        | light     | intensive | light   | intensive | light        | intensive | light              | intensive | light       | intensive | light  | intensive |    |
| <p><b>Run time with single charge.</b><br/>Indicated times and data are approximate and refer to job types in hypothetical conditions</p> |        |           |           |         |           |              |           |                    |           |             |           |        |           |    |
| Bi 2,0 OM   | Up to: |           |           | 45      | 30        | 48           | 36        | 30                 | 20        | 24          | 16        | 15     | 10        |    |
|   |        |           |           | cuts    |           | min          |           |                    |           |             |           |        |           |    |
| Bi 5,0 OM   | Up to: |           |           | 160     | 115       | 75           | 120       | 90                 | 70        | 50          | 60        | 40     | 38        | 25 |
|   |        |           |           | cuts    |           | min          |           |                    |           |             |           |        |           |    |

\*Cut through wood with a cross-sectional diameter up to 10 cm. Run time may vary depending on working conditions and the type of wood cut

advised

compatible

incompatible



# Battery-powered products, 40 V range



| Multifunction brushcutter |           |              |           |             |           | Lawnmower      |           |             |           |             |           |             |           | Blower      |       |           |  |
|---------------------------|-----------|--------------|-----------|-------------|-----------|----------------|-----------|-------------|-----------|-------------|-----------|-------------|-----------|-------------|-------|-----------|--|
| Pruner*                   |           | Hedgetrimmer |           | Brushcutter |           | Gi 40 P        |           | Gi 44 P     |           | Gi 44 T     |           | Gi 48 P     |           | Gi 48 T     |       | BVi 60    |  |
| BCi 35 D                  |           |              |           |             |           | 1 battery      |           | 1 battery   |           | 1 battery   |           | 1 battery   |           | 1 battery   |       | light     |  |
| light                     | intensive | light        | intensive | light       | intensive | 1 battery      | 1 battery | 2 batteries | 1 battery | 2 batteries | 1 battery | 2 batteries | 1 battery | 2 batteries | light | intensive |  |
| 45                        | 30        | 30           | 20        | 15          | 10        | 120            | 140       | 280         |           |             |           |             |           |             | 32    | 12        |  |
| cuts                      |           | min          |           |             |           | m <sup>2</sup> |           |             |           |             |           |             |           |             | min   |           |  |
| 115                       | 75        | 70           | 50        | 38          | 25        | 300            | 350       | 700         | 250       | 500         | 250       | 500         | 250       | 500         | 82    | 25        |  |
| cuts                      |           | min          |           |             |           | m <sup>2</sup> |           |             |           |             |           |             |           | min         |       |           |  |



# INNOVATION FOR GREEN IDEAS

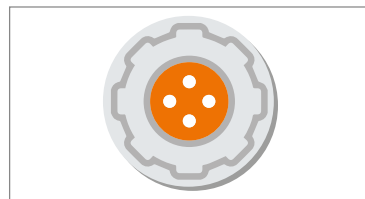
New professional  
56V battery range.  
Maximum performance,  
zero compromises.

## Technology and comfort

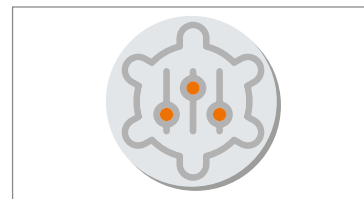
The 56V battery-powered range consists of machines for professionals and discerning private customers. The ruggedness and high performance of these machines make them suitable for onerous, time-consuming jobs or for users who do not want to compromise on power and performance, even when gardening at home. In this way, even those customers who, out of caution, have always favoured the use of petrol-powered products will be satisfied that with the **Oleo-Mac** 56V battery-powered range, they now have a viable and real alternative. In addition, all machines have a digital interface and smartphone connection, which not only provides practical services for the user but also allows for countless future upgrades.



Performance truly comparable to petrol models: each machine is designed to equal or exceed equivalent petrol models.



Brushless motor: all models equipped with latest generation brushless motors, to guarantee high performance, reliability and reduced maintenance.



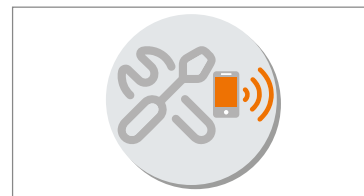
Motor vector control: control electronics ensure that battery power is spent optimally: no current leakage and long charge holding.



Constant power: motor control electronics designed to guarantee constant performance, regardless of battery charge level.



Large, detailed digital display: shows complete information on remaining charge, selected speed, smartphone connection and recommended maintenance.

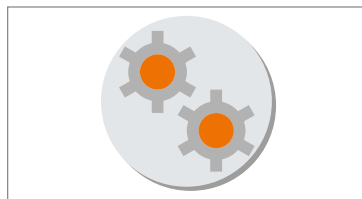


Built-in diagnostics: with dedicated app on smartphones, via Bluetooth connection, authorised **Oleo-Mac** service centres have a tool to guide the repair or replacement of components.

# Battery-powered products, 56 V range



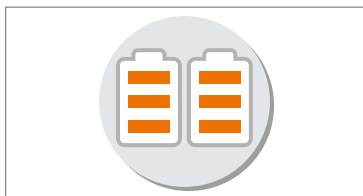
User connection: thanks to the **Oleo-Mac** Hub smartphone app, it is possible to record the vehicle fleet, view completed hours of operation and access the **Oleo-Mac** digital channels.



Unparalleled reliability: designed with the same mechanical components as machines intended for intensive use, ideal for tackling even the most difficult conditions.



Modular design: every part of the machines, in both mechanical and electronic components, is easily accessible, disassembled and replaceable. This makes any maintenance work easy.



Excellent energy-to-weight ratio: due to the use of 21700-type lithium cells, the batteries have a low weight relative to the energy they deliver.



Low charging time: the charging time of the batteries is among the best in their class: only 29 minutes to charge up to 80% (**Bi 540**).



Lightweight and balanced: all machines in the range are designed for prolonged use and are therefore light with optimal weight distribution, which is among the best in its class for certain applications.





# Pruners

The **PPXi 530** telescopic pruner is the battery-powered alternative to the professional **PPX 275** petrol-powered product. In fact, it shares all mechanical parts, thus ensuring the same combined performance, but with all the advantages of the new technology. Equipped with an adjustable telescoping shaft on steel springs, it delivers excellent results even on trees taller than 5 m, without the need for stepladders or other lifting devices. The 1/4" chain and high cutting speed (20 m/s) make it a practical and extremely effective machine for professional pruning tasks.



Rest support (as standard): to make it easier for the user, a rest support is provided for attaching to the base of the power unit.



Owing to the motor's positioning adjacent to the battery, cutting visibility and weight distribution are excellent, thereby limiting fatigue when used for long hours at a stretch.



4 speed levels available to optimise battery life to suit the type of work.



Optional 10" guide bar and chain also available.  
**Bar: 50350221R**  
**Chain: 30629543**



## PPXi 530

|   |   |
|---|---|
| Motor type  | Brushless                                   |
| Voltage   | 56 V  |
| Maximum electrical power of the machine                         | 1.5 HP/1.15 kW                              |
| Mechanical power output   | 1.34 HP/1.0 kW                              |
| Operating batteries   | Bi 525 / Bi 540                             |
| Bar length (nose)   | 30 cm/12" (sprocket-nose)                   |
| Chain (pitch x gauge)   | 1/4" x .043"                                |
| Sound pressure/power level                                      | ND  |
| Lh/rh vibration level   | ND  |
| Running time, light use (*)                                     | 80 cuts (2.5 Ah) / 125 cuts (4 Ah)          |
| Running time, intensive use (*)                                 | 55 cuts (2.5 Ah) / 85 cuts (4 Ah)           |
| Overall length of machine                                       | 2.65 m/3.85 m                               |
| Weight of complete machine without guide bar, chain and battery | 6.20 kg                                     |
| Charging time with CRG 520                                      | 35' (Bi 525 - 2.5 Ah) / 45' (Bi 540 - 4 Ah) |

(\*) Cut of wood section up to 10 cm diameter.

Working time can be subject to variations according to working conditions and type of wood to be cut.

# Hedgetrimmers



The very low weight (only 4.8 kg with **Bi 525** battery), high-quality blades and powerful engine, which ensures up to 3,500 cuts per minute, make the **HCi 560** hedgetrimmer the ideal product for professional and effective interventions on hedges with thick branches and dense foliage. The compact, streamlined shape and 180° rotating handgrip allow easy penetration into even the thickest vegetation.



High-quality professional blades with 35 mm pitch and teeth sharpened on three sides.



Release button for handgrip rotation.



Robust aluminium gearbox and drive linkage designed for professional use.



4 speed levels to optimise battery life by adapting power output to actual cutting needs.



## HCi 560

|                                 |   |
|---------------------------------|---|
| Motor type                      | Brushless                                   |
| Voltage                         | 56 V  |
| Operating batteries             | Bi 525 / Bi 540                             |
| Blade type                      | double edged, sharpened on 3 sides          |
| Blade length                    | 600 mm                                      |
| Blade pitch                     | 35 mm                                       |
| Blade speed                     | 3500 cuts/min                               |
| Sound pressure/power level      | 77.8/86 dB(A)                               |
| Lh/rh vibration level           | < 2.5 m/s <sup>2</sup>                      |
| Running time, light use (*)     | 90' (2.5 Ah) / 150' (4 Ah)                  |
| Running time, intensive use (*) | 60' (2.5 Ah) / 100' (4 Ah)                  |
| Weight without battery          | 3.7 kg                                      |
| Charging time with CRG 520      | 35' (Bi 525 - 2.5 Ah) / 45' (Bi 540 - 4 Ah) |

(\*) indicative data which may vary depending on working conditions and the type of vegetation cut



# Shaft hedge trimmers

The professional **BCi 530 HL** shaft hedge trimmer is the right machine for working precisely and effectively on tall, thick and sprawling hedges. The selection of different cutting speeds (up to 4600 cuts/minute) makes it possible to work with the right level of power on both thin-leaf hedges and impenetrable vegetation. Maximum comfort during operation thanks to the tool being adjustable through 11 different positions. The powerful motor unit, extremely tough 55 cm blade and low weight make this a machine suited to caring for public and private landscaping, as well as for demanding home users.



Blade articulates through 11 positions from 0 to 180°.



Rest support: to make it easier for the user, a rest support is provided for attaching to the base of the power unit.



Best-in-class cutting speed (4600 cuts/min).



Tip protector (optional) for working in the presence of obstacles and barriers. **58050083**



## BCi 530 HL

|                                 |   |
|---------------------------------|---|
| Motor type                      | Brushless                                       |
| Voltage                         | 56 V  |
| Blade length                    | 550 mm  |
| Blade pitch                     | 35 mm   |
| Blade type                      | articulates through 11 positions from 0 to 180° |
| Blade speed                     | 4600 cuts/min                                   |
| Sound pressure/power level      | 83.9/93 dB(A)                                   |
| Lh/rh vibration level           | 6.5/3.3 m/s <sup>2</sup>                        |
| Running time, light use (*)     | 50' (2.5 Ah) / 80' (4 Ah)                       |
| Running time, intensive use (*) | 37' (2.5 Ah) / 60' (4 Ah)                       |
| Overall length of machine       | 2.4 m   |
| Weight                          | 5.4 kg  |
| Charging time with CRG 520      | 35' (Bi 525 - 2.5 Ah) / 45' (Bi 540 - 4 Ah)     |

(\*) Indicative data which may vary depending on working conditions and the type of vegetation cut



# Brushcutters



A lightweight and powerful machine, the **BCi 530** is the perfect tool for professional clearing of overgrown vegetation and intensive mowing. Depending on the degree of intervention required, it can work at 4 different speeds which are selectable using the central button on the display. The proportional trigger also enables the speed to be further calibrated to suit the job at hand. All power curves have been optimised to give excellent working performance even at lower speeds. Metal disc supplied as standard with the **T** version, optional with the **S** version.



4 speed levels to optimise battery life by adapting power output to actual cutting needs.



Mechanical cutting power of 1 kW (equal to a 30cc petrol engine brushcutter such as the **BC 300**).



Optional **EHC 52** hedge trimmer tool can be attached to the brushcutter. **58059013**



**BCi 530 S**

**BCi 530 T**

|   | BCi 530 S                                    | BCi 530 T  |
|---|--|--|
| Motor type                                | Brushless                                    | Brushless  |
| Voltage                                   | 56 V   | 56 V   |
| Maximum electrical power of the machine   | 1.5 HP/1.15 kW                               | 1.5 HP/1.15 kW   |
| Mechanical power at the output bevel gear | 1.34 HP/1.0 kW                               | 1.34 HP/1.0 kW   |
| Operating batteries                       | Bi 525 / Bi 540                              | Bi 525 / Bi 540  |
| Speed adjustment                          | 4 levels                                     | 4 levels   |
| Shaft arm diameter                        | 26   | 26   |
| Cutting diameter                          | 30 cm  | 30 cm  |
| Cutting components                        | Load&Go head Ø 110 mm with Ø 2.4 mm line     | Load&Go head Ø 110 mm with Ø 2.4 mm line Ø 255 mm disc with 3 blades |
| Harness                                   | single                                       | single with cushion  |
| Running time, light use (*)               | 21' (2.5 Ah) / 33' (4 Ah)                    | 21' (2.5 Ah) / 33' (4 Ah)  |
| Running time, intensive use (*)           | 11' (2.5 Ah) / 18' (4 Ah)                    | 11' (2.5 Ah) / 18' (4 Ah)  |
| Weight without cutting tool and battery   | 3.8 kg                                       | 4.3 kg   |
| Sound pressure/power level                | 81.84/96 dB(A)                               | 81.84/96 dB(A)   |
| Lh/rh vibration level                     | < 2.5 m/s <sup>2</sup>                       | 2.3/4.1 m/s <sup>2</sup>   |
| Charging time with CRG 520                | 35' (Bi 525 - 2.5 Ah)<br>45' (Bi 540 - 4 Ah) | 35' (Bi 525 - 2.5 Ah)<br>45' (Bi 540 - 4 Ah)                         |

(\*) Indicative data which may vary depending on working conditions and the type of vegetation cut



# Multifunction brushcutters

Conceived and designed for professional maintenance workers dealing with multiple needs, in rural or urban settings, even in the most challenging environments. Ideal for mowing lawns, pruning hedges, trimming trees and bushes, and blowing leaves or debris. The high-power output, equivalent to 1.34 HP, delivers maximum operating performance for the various attachments. The “no tools” quick coupling system makes it possible to switch between attachments easily and without using tools: to attach an implement, simply insert it and screw down the knob to secure it.



Tool-free quick coupling system.



All attachments can be used with the **BC 241 D** and **BC 300 D** multifunction petrol brushcutter.



Rest support: to make it easier for the user, a rest support is provided for attaching to the base of the power unit.



4 speed levels available to optimise battery life to suit the type of work.



## BCi 530 D

|                         |                |
|-------------------------|----------------|
| Motor type              | Brushless      |
| Mechanical power output | 1.34 HP/1.0 kW |
| Voltage                 | 56 V           |
| Motor assembly weight   | 2.9 kg         |

# Multifunction brushcutters



## Pruner\*\*



|                           |              |
|---------------------------|--------------|
| Shaft arm diameter        | 26 mm        |
| Bar length                | 25 cm/10"    |
| Chain (pitch x gauge)     | 1/4" x .043" |
| Oil reservoir capacity    | 0.18 L       |
| Oiler                     | adjustable   |
| Implement weight          | 1.7 kg       |
| Overall length of machine | 2.1 m        |

\*\* Can also be used with **BC 241 D** and **BC 300 D** multifunction petrol engine brushcutters

## Hedgetrimmer\*\*



|   |   |
|---|---|
| Blade length                              | 550 mm  |
| Blade pitch                               | 35 mm   |
| Blades                                    | articulates through 11 positions from 0 to 180° |
| Shaft arm diameter                        | 26 mm   |
| Attachment weight/complete machine weight | 2.1 kg  |
| Overall length of machine                 | 1.9 m   |
| Tip protector                             | optional 58050083                               |

\*\* Can also be used with **BC 241 D** and **BC 300 D** multifunction petrol engine brushcutters

## Brushcutter\*\*



|                                       |   |
|---------------------------------------|---|
| Shaft arm diameter                    | 26 mm                                     |
| Cutting components                    | Load&Go head Ø 130 mm with Ø 2.40 mm line |
| Cutting diameter with head            | 390 mm                                    |
| Implement weight without cutting tool | 1.1 kg                                    |

\*\* Can also be used with **BC 241 D** and **BC 300 D** multifunction petrol engine brushcutters

## Blower\*\*



|   |          |
|---|----------|
| Air flow rate                             | 600 m³/h |
| Air speed                                 | 60 m/s   |
| Shaft arm diameter                        | 26 mm    |
| Attachment weight/complete machine weight | 1.5 kg   |

\*\* Can also be used with **BC 241 D** and **BC 300 D** multifunction petrol engine brushcutters

## Shaft extension\*\*



|                    |        |
|--------------------|--------|
| Weight             | 0.7 kg |
| Shaft arm diameter | 26 mm  |
| Length             | 750 mm |

\*\* Can also be used with **BC 241 D** and **BC 300 D** multifunction petrol engine brushcutters





# Lawnmowers

The **Gi 548 P**, **Gi 548 V** and **Gi 553 V** lawnmowers are designed to provide the same performance as petrol mowers. The exceptional power of the 2.1 kW engine delivers best-in-class cutting performance that makes light work of even the most demanding jobs, including dense, wet grass and the first mowing of the season. The power unit accommodates up to two 8 Ah batteries, allowing for exceptional energy delivery (up to 806 Wh) and long work sessions without interruptions. The batteries are discharged sequentially so that the remaining charge can be better used for subsequent jobs. The digital display with speed adjustment buttons and ECO cutting mode make it versatile for multiple types of work, using only the minimum energy actually required.



All controls can be operated using the buttons positioned on the display.



Handlebar with tilt adjustment and foldable for vertical storage.



## Gi 548 P

## Gi 548 V

## Gi 553 V

|                               | Gi 548 P  | Gi 548 V  | Gi 553 V  |
|-------------------------------|---|---|---|
| Motor type                    | Brushless   | Brushless   | Brushless   |
| Voltage                       | 56 V  | 56 V  | 56 V  |
| Maximum power output          | 2.1 kW  | 2.1 kW  | 2.1 kW  |
| Maximum motor speed           | 3000 rpm  | 3000 rpm  | 3000 rpm  |
| Max. no. of batteries         | up to 2   | up to 2   | up to 2   |
| Operating batteries           | Bi 540 / Bi 580   | Bi 540 / Bi 580   | Bi 540 / Bi 580   |
| Deck material                 | steel   | steel   | steel   |
| Mowing surface area up to (*) | 550 m <sup>2</sup> (1 x Bi 540)<br>1100 m <sup>2</sup> (2 x Bi 540)<br>1100 m <sup>2</sup> (1 x Bi 580)<br>2200 m <sup>2</sup> (2 x Bi 580) | 510 m <sup>2</sup> (1 x Bi 540)<br>1020 m <sup>2</sup> (2 x Bi 540)<br>1020 m <sup>2</sup> (1 x Bi 580)<br>2040 m <sup>2</sup> (2 x Bi 580) | 470 m <sup>2</sup> (1 x Bi 540)<br>940 m <sup>2</sup> (2 x Bi 540)<br>940 m <sup>2</sup> (1 x Bi 580)<br>1880 m <sup>2</sup> (2 x Bi 580) |
| Propulsion                    | push-type   | self-propelled with variable speed and independent engine   | self-propelled with variable speed and independent engine   |
| Ground speed adjustment       | -   | yes   | yes   |
| Ground speed                  | -   | 0 - 5 km/h  | 0 - 5 km/h  |
| Cutting height                | from 28 to 75 mm  | from 28 to 75 mm  | from 28 to 75 mm  |
| Cutting width                 | 46 cm   | 46 cm   | 51 cm   |
| Mulching/Side discharge       | standard/standard   | standard/standard   | standard/standard   |
| Grass catcher capacity        | 70 L  | 70 L  | 70 L  |
| Dry weight without batteries  | 24 kg   | 26 kg   | 28 kg   |
| Charging time with CRG 520    | 45' (Bi 540 - 4 Ah)<br>80' (Bi 580 - 8 Ah)  | 45' (Bi 540 - 4 Ah)<br>80' (Bi 580 - 8 Ah)  | 45' (Bi 540 - 4 Ah)<br>80' (Bi 580 - 8 Ah)  |

(\*) Cutting performance depends on several factors including: garden topography, surface characteristics (length, grass moisture), ground speed, type of cut (collection, mulching or side discharge)

# Blowers



With the same power as a petrol model but a much lower weight, the **BVi 570** blower is ideal for clearing large areas. Adjustable through three speed levels and with boost function for maximum propulsion through the toughest undergrowth. Cruise control function for maximum comfort in situations that require constant working for prolonged spells.



**BOOST** function: allows for uninterrupted work even with heavier debris.



**Cruise** function: enables working without holding the trigger down during constant and prolonged use.



**Adjustable shaft**: the shaft can be adjusted to 2 positions to work in the configuration that best suits the operator or the work to be done.



**Flat nozzle**: offered as standard, becomes the optimal, ready-to-use solution when working on surfaces with wet debris.



## BVi 570

|  |  |
|--|--|
| Motor type                             | Brushless  |
| Voltage                                | 56 V   |
| Operating batteries                    | Bi 525 / Bi 540  |
| Max. outlet air speed                  | 48 m/s (BOOST 55 m/s)                                    |
| Max. outlet air flow rate              | 750 m <sup>3</sup> /h (850 m <sup>3</sup> /h with BOOST) |
| Blowing power                          | 12 N (16 N with BOOST)                                   |
| Adjustable air speed                   | 3 levels + BOOST   |
| Cruise control function                | yes  |
| Sound pressure/power level             | 86/96.87 dB(A)   |
| Vibration level                        | < 2.5 m/s <sup>2</sup>                                   |
| Running time, maximum speed            | 11' (2.5 Ah) / 17' (4 Ah)                                |
| Running time, minimum speed            | 19' (2.5 Ah) / 30' (4 Ah)                                |
| Blower tube with duckbill style nozzle | standard   |
| Weight without battery                 | 2.3 kg   |
| Charging time with CRG 520             | 35' (Bi 525 - 2.5 Ah) / 45' (Bi 540 - 4 Ah)              |
| Single harness with double snap hook   | optional <b>54360061</b>                                 |



# Bi Batteries

The range is accompanied by a battery charger and 3 interchangeable battery sizes, 2.5 Ah, 4 Ah and 8 Ah, to provide the most suitable capacity for the tool being used. The new types of cells and the control system help to extend battery life without deterioration and reductions in working time. The batteries have a very high power-to-weight ratio.



Charge level visible at a glance during use.



Rubber-coated grip area to facilitate battery positioning.



## Bi 525

## Bi 540

## Bi 580

|                             |   |                   |  |
|-----------------------------|---|-------------------|--|
| 80% charging time with CRG  | 29 min  | 29 min            | 65 min   |
| 100% charging time with CRG | 35 min  | 45 min            | 80 min   |
| Voltage                     | 56 V  | 56 V              | 56 V   |
| Capacity                    | 2.5 Ah  | 4 Ah              | 8.0 Ah   |
| Technology                  | lithium-ion cells   | lithium-ion cells | lithium-ion cells  |
| Energy                      | 126 Wh  | 202 Wh            | 403 Wh   |
| Charge levels               | 4 LEDs  | 4 LEDs            | 4 LEDs   |
| Weight                      | 1.1 kg  | 1.5 kg            | 2.7 kg   |
|                             | Cannot be used on <b>Gi 548 P</b> , <b>Gi 548 V</b> or <b>Gi 553 V</b> lawnmowers |                   | Exclusively for use on <b>Gi 548 P</b> , <b>Gi 548 V</b> or <b>Gi 553 V</b> lawnmowers |

# CRG Battery Chargers



The **CRG 520** rapid charger, with a maximum power output of 360 W, ensures fast charging times. The charging speed is the maximum allowed by technology thus minimising the time needed while safeguarding cell life.



Additional cooling with side fan to allow maximum charging and cell cooling speed.



LED indicator with legend to instantly identify the battery status.



## CRG 520

|                                       |                     |
|---------------------------------------|---------------------|
| Voltage                               | 110-240 V, 50-60 Hz |
| Bi 525 (126 Wh) battery charging time | 35 min              |
| Bi 540 (202 Wh) battery charging time | 45 min              |
| Bi 580 (403 Wh) battery charging time | 80 min              |
| Weight                                | 1.3 kg              |









# Battery-powered products, 56 V range



|   |        | Pruner*  |           | Hedgetrimmer |           | Shaft hedgetrimmer |           | Brushcutter |       |           |
|---|--------|----------|-----------|--------------|-----------|--------------------|-----------|-------------|-------|-----------|
|   |        | PPXi 530 |           | HCi 560      |           | BCi 530 HL         |           | BCi 530*    |       |           |
|   |        | light    | intensive | light        | intensive | light              | intensive |             | light | intensive |
| <p><b>Run time with single charge.</b><br/>Run time data may vary depending on the working conditions and the type of wood or vegetation being cut.</p> |        |          |           |              |           |                    |           |             |       |           |
| <p>Bi 525 (126 Wh)</p>    | up to: | 80       | 55        | 90           | 60        | 50                 | 37        | line head   | 21    | 11        |
|   |        |          |           |              |           |                    |           | blade       | 28    | 19        |
|   |        | cuts     |           | min          |           |                    |           | min         |       |           |
| <p>Bi 540 (202 Wh)</p>   | up to: | 125      | 85        | 150          | 100       | 80                 | 60        | line head   | 33    | 18        |
|   |        |          |           |              |           |                    |           | blade       | 45    | 30        |
|   |        | cuts     |           | min          |           |                    |           | min         |       |           |
| <p>Bi 580 (403 Wh)</p>   | up to: |          |           |              |           |                    |           |             |       |           |
|   |        |          |           |              |           |                    |           |             |       |           |
|   |        |          |           |              |           |                    |           |             |       |           |

\* Cut through wood with a cross-sectional diameter up to 10 cm. Run time may vary depending on working conditions and the type of wood cut

advised

compatible

incompatible

# Battery-powered products, 56 V range



| Multifunction brushcutter |           |           |              |           |             |           |        |           |  |
|---------------------------|-----------|-----------|--------------|-----------|-------------|-----------|--------|-----------|--|
|                           | Pruner*   |           | Hedgetrimmer |           | Brushcutter |           | Blower |           |  |
|                           | BCi 530 D |           |              |           |             |           |        |           |  |
|                           | light     | intensive | light        | intensive | light       | intensive | light  | intensive |  |
| line head                 | 95        | 65        | 42           | 31        | 19          | 10        | 11     | 7         |  |
| blade                     |           |           |              |           | 25          | 17        |        |           |  |
|                           | cuts      |           | min          |           |             |           |        |           |  |
| line head                 | 150       | 100       | 67           | 50        | 30          | 16        | 18     | 11        |  |
| blade                     |           |           |              |           | 41          | 27        |        |           |  |
|                           | cuts      |           | min          |           |             |           |        |           |  |
|                           |           |           |              |           |             |           |        |           |  |
|                           |           |           |              |           |             |           |        |           |  |

| Lawnmower**    |             |           |             |           |             | Blower        |               |
|----------------|-------------|-----------|-------------|-----------|-------------|---------------|---------------|
| Gi 548 P       |             | Gi 548 V  |             | Gi 553 V  |             | BVi 570       |               |
| 1 battery      | 2 batteries | 1 battery | 2 batteries | 1 battery | 2 batteries | minimum speed | maximum speed |
|                |             |           |             |           |             | 19            | 11            |
|                |             |           |             |           |             | min           |               |
| 550            | 1100        | 510       | 1020        | 470       | 940         | 30            | 17            |
| m <sup>2</sup> |             |           |             |           |             | min           |               |
| 1100           | 2200        | 1020      | 2040        | 940       | 1880        |               |               |
| m <sup>2</sup> |             |           |             |           |             |               |               |

\*\* for lawnmowers, performance is calculated in ECO mode and also depends on the garden topography, surface characteristics (grass height and humidity), ground speed and type of cut (collection, mulching or side discharge).



Powerful, versatile and easy to use:  
your indispensable helpmates  
for cutting and pruning.

## Technology and comfort

Pruning, felling, limbing and DIY: there's an **Oleo-Mac** chainsaw to meet the needs of every task, whether in the garden or in the woods. Albeit with different characteristics, all the models share quality, ease of use and maintenance, and reliable top performance. Top-quality bars and chains ensure clean and accurate cuts, without damaging the vegetation. Even in the event of prolonged use, our chainsaws offer superior performance and maximum efficiency thanks to the low fuel consumption and smooth and constant engine torque.



Piston with 2 rings, forged and machined steel crankshaft and connecting rod, needle roller bearings, nickel plated cylinder: high and constant efficiency guaranteed over time, even when undertaking heavy work schedules.



The EasyOn starting system ensures any user can set the machine running simply and effortlessly, with a minimal number of pulls on the cord.



The Primer facilitates starting even in the harshest climates.



Fuel tank with externally visible level; easy management of refueling intervals.



Aluminium oil pump: ensures zero flow with engine idling and long, durable service.



"Ice device": ensures the machine can operate without difficulty even at low temperatures (below 0°C), avoiding the formation of ice on the air filter.





# Chainsaws







# GS series compact

The electric chainsaw offers high cutting performance and is the ideal solution for carpentry work and for cutting firewood. The chain tensioner is easily accessible: adjusting the chain tension is easy, safe, and, above all, does not require the use of tools. Easy to handle and ergonomic, it makes work less tiring, thanks to the simple starting procedure. Low maintenance ensures a perfect combination of performance and user-friendliness.



The metal bucking spike makes it easier to guide the electric chainsaw when working, allowing for precise cuts.



Side chain tensioner, without the use of tools, to quickly and conveniently adjust the chain tension.



Transparent oil reservoir for immediate visual level check.



Large diameter oil reservoir filler cap positioned in full view for swift and easy top-up.



## GS 210 E

|                                  |   |
|----------------------------------|---|
| Power                            | 2.0 kW                                      |
| Voltage/Frequency                | 230 V / 50 Hz                               |
| Bar length (nose)                | 41 cm/16" (sprocket)                        |
| Chain (pitch x gauge)            | 3/8" x .050"                                |
| Oil pump                         | automatic/zero oil flow with engine stopped |
| Oil reservoir capacity           | 0.17 L                                      |
| Sound pressure/power level       | 108 dB(A)                                   |
| Lh/rh vibration level            | 6.3 m/s <sup>2</sup>                        |
| Dry weight without bar and chain | 4.1 kg                                      |

# H series pruning



The **GSTH 240** chainsaw is an excellent choice for home users who need a strong and reliable product to easily cope with pruning tasks, particularly on fruit and olive trees. Thanks to the stable fuel-air mixing, all these cutting operations can be carried out even in unconventional positions (machine inclined or turned upside down).



EasyOn starting system: reduces kickback during ignition.



Side chain tensioner for swift and practical adjustment of chain tension in any operating condition.



AlwaysOn switch: rapid engine stopping, and thanks to the auto reset function, always ready to restart.



Special guide bars with small nose radius: reduce the possibility of kickback and improve boring performance in high-precision jobs.



## GSTH 240

|                                  |  |
|----------------------------------|--|
| Power/Displacement               | 1.2 HP - 0.9 kW/25.4 cm <sup>3</sup>               |
| Bar length (nose)                | 25 cm (10")  |
| Chain (pitch x gauge)            | 3/8" x .050" (sprocket)<br>1/4" x .043" (sprocket) |
| Oil pump                         | aluminium, adjustable/zero flow rate at idle speed |
| Oil/fuel tank capacity           | 0.16 L/0.20 L                                      |
| Sound pressure/power level       | 96.7/108 dB(A)                                     |
| Lh/rh vibration level            | 7.1/7.1 m/s <sup>2</sup>                           |
| Dry weight without bar and chain | 3.2 kg   |



# H series compact

At the entry level of the **Oleo-Mac** range, "H" series chainsaws are designed to provide the ideal combination of performance and economy for jobs around the home and on smallholdings. Perfect for home use, **GSH 400** model is the most compact and lightweight in the series, featuring innovative design, top-of-class performance and extremely reliable components.



Nylon filter: the large filtration surface increases working time between filter cleaning operations.



EasyOn: reduced kick-back easy starting system.



Lateral chain tensioner: simplifies tension adjustments while avoiding all risks of contact with the chain.



Adjustable aluminium oil pump: facilitates the operator's job by allowing the oil feed to be adjusted to suit the workload on the machine and the bar/chain combination. Zero oil flow with the engine at idling speed ensures lower consumption and reduced environmental impact.



**GSH 40**

**GSH 400**

|                                  |  |
|----------------------------------|--|
| Power/Displacement               | 2.3 HP - 1.7 kW/38.9 cm <sup>3</sup>                           |
| Bar length (nose)                | 35-41 cm/14"-16"   |
| Chain (pitch x gauge)            | Oregon 3/8" x .050"  |
| Oil pump                         | automatic in aluminium/adjustable/zero flow rate at idle speed |
| Oil/fuel tank capacity           | 0.22 L/0.32 L  |
| Sound pressure/power level       | 103.2/111.5 dB(A)  |
| Lh/rh vibration level            | 6.9/7.1 m/s <sup>2</sup>                                       |
| Dry weight without bar and chain | 4.5 kg   |

# H series medium power



Suitable for home use and for smallholders, the higher displacement “H” series chainsaws provide the ideal combination of performance and economy.



Low operating temperatures: enhanced operator comfort and safety, plus longer engine life.



Minimal vibrations: guaranteed by the machine's anti-vibration systems, which enhance the overall operating comfort.



Nickel plated cylinder: for longer working life.



Stable fuel-air mixture: for smooth operation of the machine.



| GSH 51  | GSH 56  |
|---------|---------|
| GSH 510 | GSH 560 |

|                                  |  |   |
|----------------------------------|--|---|
| Power/Displacement               | 3.0 HP - 2.2 kW/50.9 cm <sup>3</sup>                 | 3.5 HP - 2.6 kW/54.5 cm <sup>3</sup>              |
| Bar length (nose)                | 41-46-51 cm/16"-18"-20" (sprocket-nose)              | 41-46-51 cm/16"-18"-20"                           |
| Chain (pitch x gauge)            | Oregon .325" x .050" (16"-18") - .325" x .058" (20") | Oregon .325" - 3/8"                               |
| Oil pump                         | automatic/adjustable/zero flow rate at idle speed    | automatic/adjustable/zero flow rate at idle speed |
| Oil/fuel tank capacity           | 0.27 L/0.5 L   | 0.27 L/0.5 L                                      |
| Sound pressure/power level       | 110/113 dB(A)  | 113/116 dB(A)                                     |
| Lh/rh vibration level            | 5.2/4.8 m/s <sup>2</sup>                             | 7.2/7.0 m/s <sup>2</sup>                          |
| Dry weight without bar and chain | 5.4 kg   | 5.5 kg  |





# GS series pruning

The power, manoeuvrability and accuracy required during pruning and tending of plants, olive groves and orchards are guaranteed by the quality of the **GST 250** pruning chainsaw, the flagship model in this category owing to its manoeuvrability, low weight and superior power. The combination of these three aspects in a single product make the **GST 250** the perfect tool for efficient, quick and safe pruning operations. Power, ergonomics and balance are the distinguishing features of the **GST 360** chainsaw. Compact and with an excellent power to weight ratio, it's the ideal chainsaw for pruning tasks at height on tall trees, for limbing and for felling. Its ability to handle the toughest jobs makes it the perfect tool in the hands of professional tree-climbers. The low-emission eco-friendly engine is protected by a double air filter in foam and nylon, and the high-speed high-power chain guarantees clean and accurate cuts without damaging the bark. Models **GST 250** and **GST 360** are designed by **Giugiaro**, a world leading brand in the industrial design field.

**GST 250** available also with 1.1 mm chain and sprocket-nose bar (0.043" thickness).



Snap hook: fold-away steel snap hook for rapid attachment of the tool to the operator's harness.



OnBoard clutch: quick fitting of bar and chain, cleaner clutch for lasting performance.



AlwaysOn switch: rapid engine stopping and, thanks to the autoreset function, always ready to restart.



The EasyLift oil and mixture caps are the most practical solution for fast fluid top-up. The conveniently folding rear handgrip is ergonomic and ensures easy use of the filler caps without the need for tools.



|  | GST 250 | GST 360 |
|--|---------|---------|
|--|---------|---------|

|                                  |  |  |
|----------------------------------|--|--|
| Power/Displacement               | 1.3 HP - 1.0 kW/25.4 cm <sup>3</sup>   | 2.0 HP - 1.5 kW/35.1 cm <sup>3</sup>               |
| Bar length (nose)                | 25 cm/10" (sprocket/carving)   | 30-35 cm/12"-14" (sprocket)                        |
| Chain (pitch x gauge)            | 1/4" x .050" (sprocket)<br>1/4" x .050" (carving)<br>1/4" x .043" (sprocket) | 3/8" x .050" (sprocket)                            |
| Oil pump                         | aluminium, automatic/zero flow rate at idle speed                            | aluminium, adjustable/zero flow rate at idle speed |
| Oil/fuel tank capacity           | 0.19 L/0.22 L  | 0.23 L/0.28 L                                      |
| Sound pressure/power level       | 97.7/107.9 dB(A)   | 103/115 dB(A)                                      |
| Lh/rh vibration level            | 4.3/5.2 m/s <sup>2</sup>   | 4.9/5.2 m/s <sup>2</sup>                           |
| Dry weight without bar and chain | 2.7 kg   | 3.8 kg   |

# GS series compact



The compact chainsaws are designed incorporating the technology used in higher power models: they guarantee performance at the top of their category, ensuring the maximum efficiency and minimum expenditure of time and energy. Occasional minor pruning tasks or cutting small diameter firewood can be carried out using practical and easy-to-use tools. The devices specifically designed for incorporation on these models make for extremely practical use and routine maintenance.



Piston with 2 rings, forged and machined steel crankshaft and connecting rod, needle roller bearings, nickel-plated cylinder: high and constant efficiency guaranteed over time, even when undertaking heavy work schedules.



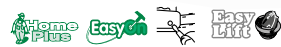
Nylon filter: longer working time between filter cleaning operations thanks to the large filtration surface.



EasyOn starting system: reduces recoil kick-backs during engine starts).



The EasyLift oil and mixture caps are the most practical solution for fast fluid top-up. The conveniently folding rear handgrip is ergonomic and ensures easy use of the filler caps without the need for tools.



## GS 371



## GS 411

|                                  |  |   |
|----------------------------------|--|---|
| Power/Displacement               | 2.4 HP - 1.8 kW/35.2 cm <sup>3</sup>   | 2.6 HP - 1.9 kW/39.0 cm <sup>3</sup>              |
| Bar length (nose)                | 35-41 cm/14"-16" (sprocket)            | 41 cm/16" (sprocket)                              |
| Chain (pitch x gauge)            | 3/8" x .050" Special                   | 3/8" x .050" Special<br>.325" x .050" Microlite   |
| Oil pump                         | automatic/zero flow rate at idle speed | automatic/adjustable/zero flow rate at idle speed |
| Oil/fuel tank capacity           | 0.22 L/0.32 L                          | 0.22 L/0.32 L                                     |
| Sound pressure/power level       | 100.4/110.9 dB(A)                      | 100.2/111.2 dB(A)                                 |
| Lh/rh vibration level            | 5.2/6.5 m/s <sup>2</sup>               | 5.1/5.9 (3/8")<br>4.6/5.2 (.325")                 |
| Dry weight without bar and chain | 4.7 kg                                 | 4.7 kg  |



# GS series medium power

The medium power petrol engine chainsaws are sufficiently compact for intensive use and compatible with frequent use. Designed to accommodate the needs of the most demanding users on farmland, woodland, as well as in the garden. The versatility combined with an excellent power-weight ratio guarantee optimal cutting performance in all types of applications, such as limbing, pruning and cutting of medium-size trunks. These chainsaws are designed to offer exceptional performance for demanding tasks, from gardening to agriculture.



Piston with 2 rings, forged and machined steel crankshaft and connecting rod, needle roller bearings, nickel-plated cylinder: constant efficiency through time, even when undertaking heavy work schedules.



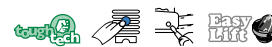
Nylon filter: the large filtration surface increases working time between filter cleaning operations.



The EasyLift oil and mixture caps are the most practical solution for fast fluid top-up. The conveniently folding rear handgrip is ergonomic and ensures easy use of the filler caps without the need for tools.



The cylinder of model **GS 451** allows exhaust gas recirculation and is optimised to allow appreciable reductions of fuel consumption.



## GS 451

## GS 520

|                                  |   |   |
|----------------------------------|---|---|
| Power/Displacement               | 2.9 HP - 2.1 kW/42.9 cm <sup>3</sup>              | 3.4 HP - 2.5 kW/51.7 cm <sup>3</sup>              |
| Bar length (nose)                | 41-46 cm/16"-18" (sprocket - microlite)           | 41-46 cm/16"-18" (sprocket)                       |
| Chain (pitch x gauge)            | .325" x .050"                                     | .325" x .058"                                     |
| Oil pump                         | automatic/adjustable/zero flow rate at idle speed | automatic/adjustable/zero flow rate at idle speed |
| Oil/fuel tank capacity           | 0.22 L/0.32 L                                     | 0.27 L/0.5 L                                      |
| Sound pressure/power level       | 103/114 dB(A)                                     | 104.4/112.9 dB(A)                                 |
| Lh/rh vibration level            | 4.3/4.8 m/s <sup>2</sup>                          | 5.2/5.5 m/s <sup>2</sup>                          |
| Dry weight without bar and chain | 4.8 kg  | 5.4 kg  |



# GS series professional



The professional chainsaws are powerful machines designed for felling, cutting and sectioning large trees. The variable advance digital coil with rpm limiter guarantees a smooth-running engine and improved cooling, even in difficult weather conditions. The handle and fuel tank are separate from the machine body, thus reducing the fuel/oil mixture temperature and minimising the transmission of vibration. The aluminium oil pump is automatic and adjustable so the flow rate can be adapted in accordance with the task to be performed, thus avoiding wastage.



The EasyLift oil and mixture caps are the most practical solution for fast fluid top-up. The conveniently folding rear handgrip is ergonomic and ensures easy use of the filler caps without the need for tools.



Nylon filter: the large filtration surface increases working time between filter cleaning operations.



Decompression valve: facilitates engine starting without kick-back, reducing operator effort.



OnBoard clutch: quick fitting of bar and chain, cleaner clutch for lasting performance.



## GS 630



## GS 650



## GS 651

|                                  | GS 630  | GS 650  | GS 651  |
|----------------------------------|---|---|---|
| Power/Displacement               | 4.7 HP – 3.5 kW/63.2 cm <sup>3</sup>              | 4.7 HP – 3.5 kW/63.4 cm <sup>3</sup>  | 4.7 HP – 3.5 kW/63.4 cm <sup>3</sup>              |
| Bar length (nose)                | 46-51 cm /18"-20" (replaceable sprocket)          | 46-51 cm /18"-20" (replaceable sprocket)<br>51-61-71 cm /20"-24"-28" (stellite) | 46-51 cm /18"-20" (replaceable sprocket)          |
| Chain (pitch x gauge)            | 3/8" x .058"                                      | 3/8" x .058"  | 3/8" x .058"                                      |
| Oil pump                         | automatic/adjustable/zero flow rate at idle speed | automatic/adjustable/zero flow rate at idle speed                               | automatic/adjustable/zero flow rate at idle speed |
| Oil/fuel tank capacity           | 0.35 L/0.70 L                                     | 0.45 L/0.80 L   | 0.45 L/0.80 L                                     |
| Sound pressure/power level       | 104.1/115 dB(A)                                   | 103.3/112 dB(A)   | 103.3/112 dB(A)                                   |
| Lh/rh vibration level            | 5.9/6.8 m/s <sup>2</sup>                          | 5.3/5.3 m/s <sup>2</sup>  | 5.3/5.3 m/s <sup>2</sup>                          |
| Dry weight without bar and chain | 5.8 kg  | 6.5 kg  | 6.5 kg  |



# Accessories - Description of chains


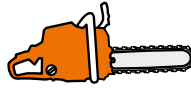


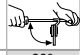


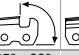
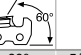
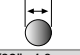
| Chain type | Pitch       | Tooth design | Gauge    |          |          |          | Bar length                            |
|------------|-------------|--------------|----------|----------|----------|----------|---------------------------------------|
|            |             |              | .043"    | .050"    | .058"    | .063"    |                                       |
|            |             |              | 1.1 mm   | 1.3 mm   | 1.5 mm   | 1.6 mm   |                                       |
|            | 3/8         |              | N143C-K  |          |          |          | 12" (30 cm)                           |
|            | 1/4         |              | E143MC-K |          |          |          | 10" (25 cm)                           |
|            | 1/4         |              |          | E650MC-K |          |          | up to 16" (40 cm)                     |
|            | 3/8 LOW PRO |              | N143C-K  |          |          |          | from 12" to 16"<br>(from 30 to 40 cm) |
|            | 3/8 LOW PRO |              |          | N150C-N  |          |          |                                       |
|            | 3/8 LOW PRO |              |          | N150C-K  |          |          |                                       |
|            | .325        |              |          | K250C-N  |          |          | from 11" to 20"<br>(from 28 to 50 cm) |
|            | .325        |              |          | K250C-K  |          |          |                                       |
|            | .325        |              |          |          | K258C-N  |          |                                       |
|            | .325        |              |          |          | K258C-K  |          |                                       |
|            | .325        |              |          |          |          | K263C-N  |                                       |
|            | .325        |              |          | K250NK-K |          |          | from 13" to 18"<br>(from 33 to 45 cm) |
|            | .325        |              |          | K250L-N  | K258L-N  | K263L-N  | from 11" to 20"<br>(from 28 to 50 cm) |
|            | 3/8         |              |          | A350EP-N |          |          | up to 36"<br>(up to 90 cm)            |
|            | 3/8         |              |          |          | A358EP-N |          |                                       |
|            | 3/8         |              |          |          |          | A363EP-N |                                       |
|            | 3/8         |              |          |          | A358EP-K |          | from 13" to 24"<br>(from 33 to 60 cm) |
|            | 3/8         |              |          |          | A358LM-N |          |                                       |
|            | 3/8         |              |          |          |          | A363LM-N |                                       |
|            | 404         |              |          |          |          | B463EP-N |                                       |

| HOW TO IDENTIFY A CHAIN | K                 | 50                                     | C                        | K                   | 072                 | EOM               |
|-------------------------|-------------------|--|--------------------------|---------------------|---------------------|-------------------|
|                         |                   |  |                          |                     |                     |                   |
|                         | .325"             | .050"                                  | Semi-Chisel              | Anti-kickback tooth | # links reel length | Loop boxes, reels |
| Pitch                   | Gauge             | Tooth type                             | Anti-kickback protection |                     |                     |                   |
| A 3/8"                  | 50 .050" (1.3 mm) | C Semi-Chisel                          | K                        | EOM                 |                     |                   |
| B .404                  | 58 .058" (1.5 mm) | EP Type "E" professional (Semi-Chisel) | N                        | EEF                 |                     |                   |
| E 1/4"                  | 63 .063" (1.6 mm) | LM Magna Chisel (PRO-CHISEL)           |                          | REM                 |                     |                   |
| K .325"                 | 43 .043" (1.1 mm) | MC Micro Chisel                        |                          |                     |                     |                   |
| N 3/8" Lo Pro           |                   | NK Narrow Kerf                         |                          |                     |                     |                   |

# Accessories - Description of chains



|   |   |   | <br>Electric chainsaws | <br>Petrol chainsaws |            |            |         | Description   |
|---|---|---|---|---|------------|------------|---------|---|
|   |   |   |   | < 35 cc   | 35 - 45 cc | 45 - 60 cc | > 60 cc |   |
| ● | ● |   | ●   | ●   | ●          |            |         | Recommended for small and medium displacement chainsaws. Clean cut, high performance. Installed on pruner chainsaws.                |
| ● |   |   | ●   | ●   | ●          |            |         | Compact, lightweight and strong. The bar-chain combination offers a weight reduction of around 15% compared to a traditional chain. |
| ● | ● |   | ●   | ●   | ●          |            |         | Maximum performance level. Ideal for intensive pruning work.  |
| ● |   |   | ●   | ●   | ●          |            |         | Developed for DIY applications. Guarantees low vibration and maximum safety thanks to the anti-kickback tooth.                      |
|   | ● | ● |   |   | ●          | ●          | ●       | Lightweight and high performance. This chain was developed for professionals who need an .325" pitch chainsaw.                      |
|   | ● | ● |   |   | ●          | ●          | ●       | Developed for lightweight chainsaws, guarantees optimal performance and low power absorption.                                       |
|   | ● | ● |   |   | ●          | ●          | ●       | Developed for professional users requiring an .325" pitch chainsaw.   |
|   |   | ● |   |   | ●          | ●          | ●       | Featuring high performance and strength, this chain is specifically designed for demanding professional applications.               |
|   |   | ● |   |   | ●          | ●          | ●       | The 3/8 chisel chain has always been the benchmark for professional users.  |
|   |   | ● |   |   |            | ●          | ●       | Designed to handle the heaviest duty applications. Unstoppable and super strong.  |

| Pitch  | EMAK      | OREGON     | CARLTON    | WINDSOR    |  |  |  |  |  |  |
|--------|-----------|------------|------------|------------|---|---|---|---|---|--|
| 1/4    | E650MC-K  | 25AP       | E1MC-BL    | 50K        | 90°   | 30°   | .025  | 85° - 90°   | 60°   | 5/32" - 4.0 mm   |
| 3/8 LP | N143C-K   | 90SG       | N4C-BL     | 43RG       |   |   |   |   |   |  |
| 3/8 LP | N150C-N   | 91VXL      | N1C        | 50R        | 90°   | 35°   | .025  | 85° - 90°   | 60°   | 5/32" - 4.0 mm   |
| 3/8 LP | N150C-K   | 91VG       | N1C-BL     | 50RG       |   |   |   |   |   |  |
| .325   | K250C-N/K | 20BPX      | K1C-K1C-BL | 50J - 50JG |   |   |   |   |   |  |
| .325   | K258C-N/K | 21BPX      | K2C-K2C-BL | 58J - 58JG | 90°   | 30°   | .025  | 80° - 90°   | 60°   | 3/16" - 4.8 mm   |
| .325   | K263C-N   | 22BPX      | K3C        | 63J - 63JG |   |   |   |   |   |  |
| .325   | K250NK    | 95VPX      | K1NK-BL    | 50JSG      |   |   |   |   |   |  |
| .325   | K250L-N   | 20LPX      | K1L        | 50JL       |   |   |   |   |   |  |
| .325   | K258L-N   | 21LPX      | K2L        | 58JL       | 80°   | 30°   | .025  | 85° - 90°   | 60°   | 11/64" - 4.5 mm  |
| .325   | K263L-N   | 22LPX      | K3L        | 63JL       |   |   |   |   |   |  |
| 3/8    | A350EP-N  | 72D - 72DP | A1EP       | 50A        |   |   |   |   |   |  |
| 3/8    | A358EP-N  | 73D - 73DP | A2EP       | 58A        | 90°   | 35°   | .025  | 85° - 90°   | 60°   | 7/32" - 5.5 mm   |
| 3/8    | A363EP-N  | 75D - 75DP | A3EP       | 63A        |   |   |   |   |   |  |
| 3/8    | A358EP-K  | 73V        | A2EP-GL    |            |   |   |   |   |   |  |
| 3/8    | A358LM-N  | 73LGX      | A2LM       | 58APL      |   |   |   |   |   |  |
| 3/8    | A363LM-N  | 75LGX      | A3LM       | 63APL      | 80°   | 30°   | .025  | 80° - 90°   | 60°   | 7/32" - 5.5 mm   |

# Accessories - Guide-bars and chains



| Machines                | Guide bars |             |                   | Chains                 |               |                  |                                      | Reels Emak 100' (Ft)**<br>Reels Emak 25' (Ft)      |                                   |  |  |  |                                   |
|-------------------------|------------|-------------|-------------------|------------------------|---------------|------------------|--------------------------------------|--|-----------------------------------|--|--|--|-----------------------------------|
|                         | Material   | Length      | Part code         | Pitch x gauge          | N. links Type | Type             | Part code                            | Type   | Part code                         |  |  |  |                                   |
| <b>GSi 30</b>           |            | 12" - cm 30 | <b>54050043R</b>  | .3/8" x .043" (1.1mm)  | 45-90 PX      | N143C-K-045E     | <b>30629041C</b>                     | N143C-K-100REM<br>N143C-K-025REM                   | 3063037D<br>3063023A*             |  |  |  |                                   |
| <b>GS 210 E</b>         |            | 16" - cm 41 | <b>50052012R</b>  | .3/8" x .050" (1.3 mm) | 56            | 3/8 LP x.050" K  | <b>30629043</b>                      | 3/8 LP x.050" K                                    | 3063022D                          |  |  |  |                                   |
| <b>GSTH 240</b>         |            | 10" - cm 25 | <b>50350130R</b>  | .3/8" x .050" (1.3mm)  | 40-91 PX      | N150C-K-040E     | <b>30629012A</b>                     | N150C-K-100REM<br>N150C-N-100REM<br>N150C-N-025REM | 3063022D<br>3063021D<br>3063035A* |  |  |  |                                   |
|                         |            |             | <b>50350221R</b>  | .1/4" x .043" (1.1mm)  | Q43-56 PB     | EMAK             | <b>30629543</b>                      |  |                                   |  |  |  |                                   |
| <b>GST 250</b>          |            | 10" - cm 25 | <b>3061025R</b>   | .1/4" x .043" (1.1mm)  | 60-A4SMB      | EMAK             | <b>3062055R</b>                      |  |                                   |  |  |  |                                   |
|                         |            |             | <b>3061026R</b>   |                        |               |                  | <b>3062055R</b>                      |  |                                   |  |  |  |                                   |
|                         |            |             | <b>50290032R</b>  | .1/4" x .050" (1.3mm)  | 58-25 AP      | E650MC-K-058E    | <b>30629040C</b>                     | E650MC-K-100REM<br>E650MC-K-025REM                 | 3063013D<br>3063029A*             |  |  |  |                                   |
|                         |            |             | <b>50030352R</b>  |                        | 60-25 AP      | E650MC-K-060E    | <b>30629021C</b>                     |  |                                   |  |  |  |                                   |
| <b>GST 360</b>          |            | 12" - cm 30 | <b>50030232R</b>  | .3/8" x .050" (1.3mm)  | 45-91 VG      | N150C-K-045E     | <b>30629013C</b>                     | N150C-K-100REM<br>N150C-N-100REM<br>N150C-N-025REM | 3063022D<br>3063021D<br>3063035A* |  |  |  |                                   |
|                         |            | 14" - cm 35 | <b>50030190R</b>  |                        | N150C-K-045E  | <b>30629031A</b> |                                      |  |                                   |  |  |  |                                   |
|                         |            |             |                   |                        | 52-91 VG      | N150C-K-052E     | <b>30629015C</b>                     |  |                                   |  |  |  |                                   |
|                         |            |             |                   |                        | N150C-K-052E  | <b>30629033A</b> |                                      |  |                                   |  |  |  |                                   |
| <b>GS 371</b>           |            | 14" - cm 35 | <b>50030190R</b>  | .3/8" x .050" (1.3mm)  | 52-91 VG      | N150C-K-052E     | <b>30629015A</b><br><b>30629033A</b> |  |                                   | N150C-K-100REM<br>N150C-N-100REM<br>N150C-N-025REM                   | 3063022D<br>3063021D<br>3063035A*              |  |                                   |
|                         |            | 14" - cm 35 | <b>50030190R</b>  |                        | 53-91 VG      | N150C-K-053E     | <b>30629016C</b>                     |  |                                   |  |  |  |                                   |
|                         |            | 16" - cm 41 | <b>50052012R</b>  |                        | 57-91 VG      | N150C-K-057E     | <b>30629018A</b>                     |  |                                   |  |  |  |                                   |
| <b>GSH 40 / GSH 400</b> |            | 14" - cm 35 | <b>50030190R</b>  | .3/8" x .050" (1.3mm)  | 53-91 VG      | N150C-K-053E     | <b>30629016C</b>                     |  |                                   |  |  | N150C-K-100REM<br>N150C-N-100REM<br>N150C-N-025REM | 3063015D<br>3063014D<br>3063030A* |
|                         |            | 16" - cm 41 | <b>50052012R</b>  |                        | 57-91 VG      | N150C-K-057E     | <b>30629018A</b>                     |  |                                   |  |  |  |                                   |
| <b>GS 411</b>           |            | 14" - cm 35 | <b>50030190R</b>  | .3/8" x .050" (1.3mm)  | 52-91 VG      | N150C-K-052E     | <b>30629015A</b>                     | N150C-K-100REM<br>N150C-N-100REM<br>N150C-N-025REM | 3063015D<br>3063014D<br>3063030A* |  |  |  |                                   |
|                         |            | 14" - cm 35 | <b>50030190R</b>  |                        | 52-91 VG      | K250C-K-052E     | <b>30629033A</b>                     |  |                                   |  |  |  |                                   |
|                         |            | 16" - cm 41 | <b>50052012R</b>  |                        | 57-91 VG      | K250C-K-057E     | <b>30629018A</b>                     |  |                                   |  |  |  |                                   |
|                         |            | 16" - cm 41 | <b>50062006R</b>  | .325" x .050" (1.3mm)  | 66-95 VP      | K250C-K-066E     | <b>30629004C</b>                     |  |                                   |  |  |  |                                   |
| <b>GS 451</b>           |            | 16" - cm 41 | <b>50062006R</b>  | .325" x .050" (1.3mm)  | 66-95 VP      | K250C-K-066E     | <b>30629004C</b>                     |  |                                   | N250C-K-100REM<br>N250C-N-100REM<br>N250C-N-025REM                   | 3063015D<br>3063014D<br>3063030A*              |  |                                   |
|                         |            | 18" - cm 46 | <b>50230058R</b>  |                        | 72-95 VP      | K250C-K-072E     | <b>30629027C</b>                     |  |                                   |  |  |  |                                   |
| <b>GS 520</b>           |            | 16" - cm 41 | <b>094600275R</b> | .325" x .058" (1.5mm)  | 66-21 BP      |                  |                                      |  |                                   | N258C-N-100REM<br>N258L-N-100REM<br>N258C-K-100REM<br>N258C-N-025REM | 3063017D<br>3063019D<br>3063018D<br>3063032AR* |  |                                   |
|                         |            | 18" - cm 46 | <b>094600285R</b> |                        | 72-21 BP      | K258C-K-072E     | <b>30629007C</b>                     |  |                                   |  |  |  |                                   |
|                         |            | 20" - cm 51 | <b>50082021R*</b> |                        | 78-21 BP      | K258C-K-078E     | <b>30629008C</b>                     |  |                                   |  |  |  |                                   |

Part numbers in bold, series availability, \* available while stocks last

\*\* Number of links in a 100 ft roll: 1640 (3/8") - 1848 (.325") - 1484 (.404") - 2392 (1/4")

# Accessories - Guide-bars and chains



| Machines                                     | Guide bars             |             |                   | Chains                |                       |                                |                               | Reels Emak 100' (Ft)<br>Reels Emak 25' (Ft)                           |  |
|--|------------------------|-------------|-------------------|-----------------------|-----------------------|--------------------------------|-------------------------------|---|--|
|  | Material               | Length      | Part code         | Pitch x gauge         | N. links Type         | Type                           | Part code                     | Type  | Part code                                      |
| <b>GSH 51 / GSH 510<br/>GSH 56 / GSH 560</b> |                        | 16" - cm 41 | <b>093800065R</b> | .325" x .050" (1.3mm) | 66 -95 VP             | K250C-K-066E                   | <b>30629004C</b>              | N250C-K-100REM<br>N250C-N-100REM<br>N250C-N-025REM                    | 3063015D<br>3063014D<br>3063030A*              |
|  |                        | 18" - cm 46 | <b>50310206R</b>  |                       | 72 -95 VP             | K250C-K-072E                   | <b>30629027C</b>              |   |  |
|  |                        | 20" - cm 51 | <b>50310207R</b>  | .325" x .058" (1.5mm) | 78 -21 BP             | K258C-K-078E                   | <b>30629008C</b>              | N258C-N-100REM<br>N258L-N-100REM<br>N258C-K-100REM<br>N258C-N-025REM* | 3063017D<br>3063019D<br>3063018D<br>3063032AR* |
|  |                        | 18" - cm 46 | 50310121R         | .3/8" x .058" (1.5mm) | 68-73 DP              | A358EP-K-068E                  | <b>30629001C</b>              | A358EP-N-100REM<br>A358LM-N-100REM                                    | 3063008D<br>3063010AR                          |
|  |                        | 20" - cm 51 | <b>50310177R</b>  |                       | 72-73 DP              | A358EP-K-072E                  | <b>30629002C</b>              |   |  |
| <b>GS 630</b>                                |                        | 16" - cm 41 | 50012035R         | .325" x .058" (1.5mm) | 66-21 BP              |                                |                               | N258C-N-100REM<br>N258L-N-100REM<br>N258C-K-100REM<br>K258C-N-025REM* | 3063017D<br>3063019D<br>3063018D<br>3063032AR* |
|  |                        | 18" - cm 46 | 50012036R         |                       | 72-21 BP              | K258C-K-072E                   | 30629007C                     |   |  |
|  |                        | 20" - cm 51 | 50012037R         |                       | 78-21 BP              | K258C-K-078E                   | 30629008C                     |   |  |
|  |                        | 18" - cm 46 | <b>50022010R</b>  | .3/8" x .058" (1.5mm) | 68-73 BP              | A358EP-K-068E                  | <b>30629001C</b>              | A358EP-N-100REM<br>A358LM-N-100REM                                    | 3063008D<br>3063010AR                          |
|  |                        | 20" - cm 51 | <b>50022011R</b>  |                       | 72-73 BP              | A358EP-K-072E<br>A358LM-N-072E | <b>30629002C</b><br>30629022* |   |  |
|  |                        | 22" - cm 56 | 50022012*         |                       | 77-73 BP              | EMAK                           | 001000754R*                   |   |  |
|  |                        | 18" - cm 46 | 50022014*         |                       | 68-73 BP              |                                |                               |   |  |
|  |                        | 20" - cm 51 | 50022015R*        |                       | 72-73 BP              | A358EP-K-072E<br>A358LM-N-072E | 30629002C<br>30629022*        |   |  |
|  | <b>GS 650 / GS 651</b> |             | 18" - cm 46       | <b>50250106R</b>      | .3/8" x .058" (1.5mm) | 68-73 BP                       | A358EP-K-068E                 | <b>30629001C</b>  | A358EP-N-100REM<br>A358LM-N-100REM             |
|  |                        | 20" - cm 51 | <b>50250107R</b>  | 72-73 BP              |                       | A358EP-K-072E<br>A358LM-N-072E | <b>30629002C</b><br>30629022* |   |  |
|  |                        | 24" - cm 61 | <b>50250108R</b>  | 84-73 BP              |                       |                                |                               |   |  |
|  |                        | 20" - cm 51 | <b>50250111R</b>  | 72-73 BP              |                       | A358EP-K-072E<br>A358LM-N-072E | <b>30629002C</b><br>30629022* |   |  |
|  |                        | 24" - cm 61 | <b>50250112R</b>  | 84-73 BP              |                       |                                |                               |   |  |
|  |                        | 28" - cm 71 | <b>50250113R</b>  | 92-73 BP              |                       |                                |                               |   |  |

Part numbers in bold, series availability, \* available while stocks last

\*\* Number of links in a 100 ft roll: 1640 (3/8") - 1848 (.325") - 1484 (.404") - 2392 (1/4")



# Accessories - Guide bars description and key

|  | Bar   | Bar type  | Nose                      | Bar length   | Pitch | Gauge  |        |        |        |
|--|---|-----------|---------------------------|--|-------|--------|--------|--------|--------|
|  |   |           |                           |  |       | .043"  | .050"  | .058"  | .063"  |
|  |   |           |                           |  |       | 1.1 mm | 1.3 mm | 1.5 mm | 1.6 mm |
|  | <b>Microlite®</b><br>Thanks to their reduced thickness and low engine power absorption, <b>Micro-Lite bars</b> are ideal for all types of DIY applications. These guide-bars ensure the maximum lightweight, low vibration, and reduced kickback.   | Laminated | Sprocket                  | 10"-12"-16"-18" / 25-30-41-46 cm                             | .3/8" | ●      |        |        |        |
|  |   |           |                           |  | .325" |        | ●      |        |        |
|  | <b>Laminated with Sprocket nose</b><br>Designed for DIY and semi-professional use, are ideal for lightweight, versatile, and highly reliable chain saws. Equipped with a special barrier dam that prevents the loss of oil, these guide-bars ensure perfect lubrication, top performance, and longer working life of both bar and chain.  | Laminated | Sprocket                  | 12"-14"-16"-18"-20" / 30-35-41-46-51 cm                      | .3/8" |        | ●      |        |        |
|  |   |           |                           |  | .325" |        |        | ●      |        |
|  | <b>Solid with Replaceable Sprocket Nose</b><br>(Power Match®) Nose<br>Designed for professional applications, are equipped with an efficient oiling system (Lubrijet®) thanks to an angled hole on the bar that is kept clear by the transit of the chain drive links. The replaceable nose is available for .325" and .3/8" pitch chains.  | Solid     | Replaceable Sprocket Nose | 15"-16"-18"-20"-22"-24"-25"-28" / 38-41-46-51-56-61-64-71 cm | .3/8" |        |        | ●      |        |
|  |   |           |                           |  | .325" |        |        | ●      |        |
|  | <b>Solid with Stellite Nose</b><br>For professional use, guarantee excellent performance and lifetime even in the most adverse conditions and when subjected to prolonged stress. The stellite bar nose offers the maximum wear resistance. The chains are equipped with an efficient oiling system (Lubrijet®) that features an angled hole on the bar that is kept clear by the transit of the chain drive links. | Solid     | Stellite                  | 10"-18"-20"-24"-25"-28"-30" / 25-46-51-61-64-71-76 cm        | .1/4" |        | ●      |        |        |
|  |   |           |                           |  | .3/8" |        |        | ●      |        |
|  | <b>Solid with Stellite Nose</b><br>For professional use, guarantee excellent performance and a long working lifetime even in the most adverse conditions and when subjected to prolonged stress. The stellite bar nose offers the maximum wear resistance.  | Solid     | Stellite                  | 30"-36" / 76-91 cm   | .404" |        |        | ●      |        |



Versatile and easy to use:  
your handy workmates  
for pruning at height.

## Technology and comfort

These pruners are designed to easily solve the problem of cutting and limbing at height, while guaranteeing a constantly comfortable and safe working position: these tools eliminate the need for access solutions such as ladders and platforms of various types once and for all. They are available with both a fixed and telescopic drive shaft, adjustable up to 5 metres in height for reaching the highest branches. The professional **PPX 275** model is the optimal solution for professional users, as it combines the advantages of the long-reach pruner with high precision and cutting quality.



Piston with 2 elastic rings, forged and machined steel crankshaft and connecting rod, needle roller bearings, nickel plated cylinder: constant high efficiency guaranteed over time, even when undertaking heavy work schedules.



Filter cover secured with two screws, easily removable to facilitate maintenance.



Large paper air filter for greater filtering capacity, ensuring excellent engine protection even in very dusty environments.



Robust and compact plastic tank protection, to prevent damage to the tank while the machine is being used and transported.



Cover with aluminium clutch support: optimises and reduces the weight of the machine, for lasting strength and reliability.



Digital coil with electronic control and speed limiter: ensures smooth start-up, improved performance, guaranteeing uniform combustion and reduced fuel consumption.





# Pruners





# H series

These pruners are designed to easily solve the problem of cutting and limbing at height, while at the same time guaranteeing a constantly comfortable and safe working position: these tools eliminate the need for access solutions such as ladders and platforms of various types once and for all. If you want the best value for money, the **PPH 250** model is an excellent choice. Lightweight and easy to handle, it is well suited for jobs around the home and on smallholdings.



The semi-transparent chain oiler reservoir enables the operator to read the oil level without removing the cap. The oil pump with automatic delivery is adjustable, allowing the oil flow to be varied according to the use and the type of wood.



Exceptional reliability thanks to the Ø 8mm rigid drive shaft running on 6 self-lubricating plain bearings.



AlwaysOn switch: rapid engine stopping, and thanks to the autoreset function, always ready to restart.



The single-strap shoulder harness is easy to adjust and affords greater freedom of movement to the operator.



## PPH 250

|   |                                      |
|---|--------------------------------------|
| Power/Displacement                                | 1.2 HP – 0.9 kW/25.4 cm <sup>3</sup> |
| Pruner adjustment                                 | fixed implement                      |
| Bar length (nose)                                 | 25 cm/10" (sprocket)                 |
| Chain (pitch x gauge)                             | 3/8" x .050"                         |
| Overall length of machine                         | 2.05 m                               |
| Sound pressure/power level                        | 96.0/110.7 dB(A)                     |
| Lh/rh vibration level                             | 1.4/1.4 m/s <sup>2</sup>             |
| Dry weight of complete tool without bar and chain | 5.4 kg                               |

# X series telescopic



Telescopic pruners are the ideal tools for cutting and limbing at height, while at the same time ensuring a constantly comfortable and safe working position. Suitable for use in woodland, in rural surroundings and in urban open spaces, they eliminate the need for access solutions such as ladders and platforms of various types once and for all. Thanks to the telescopic pole that can be extended up to 3.12 metres, they can reach branches up to 5 metres from the ground. Model **PPX 275** is equipped with pruner and 1/4" carving bar with sprocket tip and 30 cm cutting length, which can penetrate the thickest branches due its low weight and compactness. The engine shroud features an aluminium support affording superior mechanical strength. The professional oil pump ensures constant lubrication of the cutting assembly.



The Easy Lift mixture cap is the most practical solution for fast fuel top-up. The conveniently folding rear handgrip is ergonomic and ensures easy use of the filler caps without the need for tools.



Cutting system: lightweight and compact, equipped as standard with a carving bar with sprocket tip. The guide bar measures 12" (30 cm) and is paired with a 1/4 x .043 chain.



AlwaysOn switch: rapid engine stopping and, thanks to the autoreset function, always ready to restart.



Checking the oil level is easy thanks to the semi-transparent reservoir, while chip ejection is facilitated by the large discharge section near the bar attachment



## PPX 275

|   |                                      |
|---|--------------------------------------|
| Power/Displacement                                | 1.3 HP – 1.0 kW/27.0 cm <sup>3</sup> |
| Adjustment of pruning head                        | fixed                                |
| Bar length (nose)                                 | 30 cm/12" (sprocket)                 |
| Chain (pitch x gauge)                             | 1/4" x .043"                         |
| Overall length of machine                         | 2.65 m/3.85 m                        |
| Sound pressure/power level                        | 97.0/107.5 dB(A)                     |
| Lh/rh vibration level                             | 4.2/5.9 m/s <sup>2</sup>             |
| Dry weight of complete tool without bar and chain | 7.4 kg                               |



# Accessories - Bars and Chains



| Machines               | Guide bars |             |                   | Chains                |               |              |                  | Reels Emak 100' (Ft)**<br>Reels Emak 25' (Ft) |                       |
|------------------------|------------|-------------|-------------------|-----------------------|---------------|--------------|------------------|---|-----------------------|
|                        | Material   | Length      | Part code         | Pitch x gauge         | N. links Type | Type         | Part code        | Type  | Part code             |
| <b>PPH 250 / PH 30</b> |            | 10" - cm 25 | <b>61542010R</b>  | .3/8" x .050" (1.5mm) | 40-91 PX      | N150C-K-040E | <b>30629012C</b> | N150C-K-100REM                                | 3063022D              |
| <b>EP 125</b>          |            | 12" - cm 30 | <b>63090074AR</b> | .1/4" x .043" (1.1mm) | 64            | EMAK         | <b>30629042</b>  |   |                       |
| <b>PPX 271</b>         |            | 10" - cm 25 | <b>63090030R</b>  | .3/8" x .043" (1.1mm) | 39-90 SG      | N143C-K-039E | <b>30629019C</b> | N143C-K-100REM<br>N143C-K-025REM*             | 3063037D<br>3063023A* |
| <b>PPX 275</b>         |            | 12" - cm 30 | <b>63090074AR</b> | .1/4" x .043" (1.1mm) | 64            | EMAK         | <b>30629042</b>  |   |                       |
| <b>PPXi 530</b>        |            | 12" - cm 30 | <b>63090074AR</b> | .1/4" x .043" (1.1mm) | 64            | EMAK         | <b>30629042</b>  |   |                       |
|                        |            | 10" - cm 25 | <b>50350221R</b>  | .1/4" x .043" (1.1mm) | Q43-56 PB     | EMAK         | <b>30629543</b>  |   |                       |

Part numbers in bold, series availability. \* available while stocks last

\*\* Number of links in a 100 ft roll: 1640 (3/8") - 1848 (.325") - 1484 (.404") - 2392 (1/4")


# Accessories - Various



| Part number | Machines |         |         |
|-------------|----------|---------|---------|
|             | PPH 250  | PPX 271 | PPX 275 |


## Round bars

Special files for sharpening chain cutting edges. Available with various diameters in accordance with the chain to be sharpened. All bars are 8"/200 mm in length. Packing: carton. Quantity per carton: 6. Minimum order: 1 carton.

|   |   |                  |                       |                       |                       |
|---|---|------------------|-----------------------|-----------------------|-----------------------|
|  | Ø 11/64" - 4.5 mm suitable for chain type 90SG  | <b>001000606</b> | <input type="radio"/> | <input type="radio"/> | <input type="radio"/> |
|   | Ø 1/4" x .043" - suitable for chain type 1.1 mm | <b>001000985</b> | <input type="radio"/> | <input type="radio"/> | <input type="radio"/> |

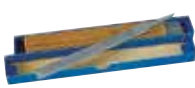
## Bar cover

The bar cover is indispensable for operator safety and to prevent chain damage during transport.

|   |                 |                  |                       |                       |                       |
|---|-----------------|------------------|-----------------------|-----------------------|-----------------------|
|  | Length 25 cm    | <b>W000139</b>   | <input type="radio"/> | <input type="radio"/> | <input type="radio"/> |
|   | Length 25-30 cm | <b>50350035R</b> | <input type="radio"/> | <input type="radio"/> | <input type="radio"/> |


## Flat files

Files required for sharpening of the depth limiter and to keep it at the correct distance from the cutting edge. Packing: carton. Quantity per carton: 12. Minimum order: 1 carton.

|   |                    |                  |                       |                       |                       |
|---|--------------------|------------------|-----------------------|-----------------------|-----------------------|
|  | Length 6" - 150 mm | <b>001000258</b> | <input type="radio"/> | <input type="radio"/> | <input type="radio"/> |
|---|--------------------|------------------|-----------------------|-----------------------|-----------------------|

## Harness

Single harness designed for pruners.

|   |                            |                  |                       |                       |                       |
|---|----------------------------|------------------|-----------------------|-----------------------|-----------------------|
|  | Single harness for pruners | <b>4160463AR</b> | <input type="radio"/> | <input type="radio"/> | <input type="radio"/> |
|---|----------------------------|------------------|-----------------------|-----------------------|-----------------------|

○ compatible tools



Precision, safety and freedom of movement: all the ingredients of the perfect cut.

## Technology and comfort

With their high performance engine and top-quality blades, **Oleo-Mac** hedgetrimmers are a guarantee of excellence. Lightweight, powerful and easy to use, these tools are perfect for tackling all types of hedges with clean and accurate cutting action, essential for the aesthetic results of the job and to protect the health of the plants. Ease of use of **Oleo-Mac** hedgetrimmers is assured also by the Primer and EasyOn devices, designed to facilitate engine starting, even in cold weather conditions.



High quality blades with top cutting edge ensure a clean and precise cut that will not damage vegetation. Equipped with adjustment system for adaptability to any type of foliage.



Professional grade aluminium gear case, drive linkage with pinion carried in bearings and rods with rollers, combining to guarantee long life, low noise and minimal vibration.



EasyOn system to guarantee reduced effort and speed of starting.



Large paper air filter for higher filtration capacity and more effective engine protection, even in dusty conditions.



Anti-vibration system utilizing 4 springs guaranteeing total isolation from the operator's hands.



Rear swivel handle rotatable through 180°: ensures easy trimming even when working at an angle (double-sided blade models only).





# Hedgetrimmers





# HC series

Lightweight, compact and agile: the practical electric hedgetrimmers are equipped with a motor that offers performance comparable to the petrol engine models. Electric hedgetrimmers, designed to handle smaller occasional jobs with ease, are the ideal tools for amateur gardeners. Suitable for trimming and pruning medium size hedges or bushes and relatively sparse vegetation, these tools are fitted with a quiet running motor that makes them suitable for use around residential areas.



Double safety switch on the handle for maximum operator safety.



180° swivel handle: allows the tool to be used also when holding it at an angle.



Transparent hand guard for maximum visibility of the work area.



## HC 605 E

## HC 750 E

|                            | HC 605 E                 | HC 750 E               |
|----------------------------|--------------------------|------------------------|
| Power                      | 0.60 kW                  | 0.70 kW                |
| Voltage                    | 230 V                    | 230 V                  |
| Frequency                  | 50 Hz                    | 50 Hz                  |
| Type/Blade                 | double                   | double                 |
| Length/Blade               | 570 mm                   | 700 mm                 |
| Pitch/Blade                | 30 mm                    | 35 mm                  |
| Maximum cutting thickness  | 15 mm                    | 20 mm                  |
| Sound pressure/power level | 78/95.4 dB(A)            | 86/94.9 dB(A)          |
| Lh/rh vibration level      | 2.3/2.9 m/s <sup>2</sup> | < 2.5 m/s <sup>2</sup> |
| Weight                     | 3.6 kg                   | 4.3 kg                 |

# HC series



The professional hedgetrimmers have all the features needed to prune very large and thickly vegetated hedges without problems. Powerful and rugged and yet still light enough to be easily manageable, these models have steel blades and an aluminium gearbox: top quality components that ensure consistently high efficiency through time.



Piston with 2 rings, forged and machined steel crankshaft and connecting rod, needle roller bearings, nickel-plated cylinder: constant efficiency through time, even when undertaking heavy work schedules.



High quality steel blades with top cutting edge: designed to ensure a clean and precise cut that will not damage vegetation. Equipped with adjustment system for adaptability to suit any type of foliage.



The EasyLift mixture cap is the most practical solution for fast fluid top-up. The conveniently folding rear handgrip is ergonomic and ensures easy use of the filler caps without the need for tools.



Single blade deflector for **HCS 247 P**. Useful for collecting foliage to ensure it doesn't remain lodged in the hedge, hindering the progress of the operator.

58040150



**HC 246 P**



**HC 247 P**



**HCS 247 P**

|                            | HC 246 P                 | HC 247 P                 | HCS 247 P                |
|----------------------------|--------------------------|--------------------------|--------------------------|
| Power                      | 1.0 HP - 0.75 kW         | 1.0 HP - 0.75 kW         | 1.0 HP - 0.75 kW         |
| Displacement               | 21.7 cm <sup>3</sup>     | 21.7 cm <sup>3</sup>     | 21.7 cm <sup>3</sup>     |
| Type/Blade                 | double                   | double                   | single                   |
| Length/Blade               | 600 mm                   | 750 mm                   | 750 mm                   |
| Pitch/Blade                | 35 mm                    | 35 mm                    | 35 mm                    |
| Sound pressure/power level | 98.8/108 dB(A)           | 98.8/108 dB(A)           | 98.8/108 dB(A)           |
| Lh/rh vibration level      | 3.8/4.5 m/s <sup>2</sup> | 3.8/4.5 m/s <sup>2</sup> | 6.6/8.6 m/s <sup>2</sup> |
| Weight                     | 5.2 kg                   | 5.4 kg                   | 5.2 kg                   |





# BC series with shaft

Uneven or steeply sloping terrain and hard-to reach vegetation are no longer a problem for pruning work thanks to the shaft hedgetrimmers. The ergonomic and comfortable handles are equipped with safety switches designed to stop the tool if the operator releases it. High cutting quality is achieved thanks to the double-edge blade, adjustable through 180° with 12 intermediate positions.



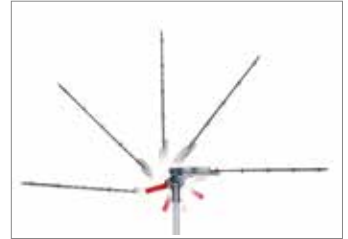
Piston with 2 rings, nickel-plated diecast cylinder, forged connecting rod and crankshaft: all features guaranteed to make the engine extremely rugged and durable.



EasyOn starting system: reduces kick-back when starting.



AlwaysOn switch: rapid engine stopping and, thanks to the autoreset function, always ready to restart.



High quality steel blades, rotatable through 12 different positions from 0° to 180°: the blades provide clean and accurate cutting action to safeguard the health of the hedge.



## BC 241 H

## BC 241 HL

|                            |  |  |
|----------------------------|--|--|
| Power                      | 1.2 HP - 0.9 kW  | 1.2 HP - 0.9 kW  |
| Displacement               | 21.7 cm <sup>3</sup>   | 21.7 cm <sup>3</sup>   |
| Type/Blade                 | double blade, rotatable through 12 positions from 0° to 180° | double blade, rotatable through 12 positions from 0° to 180° |
| Length/Blade               | 500 mm   | 500 mm   |
| Machine overall length     | 1.8 m  | 2.4 m  |
| Pitch/Blade                | 35 mm  | 35 mm  |
| Sound pressure/power level | 93.4/104.7 dB(A)   | 93.4/104.7 dB(A)   |
| Lh/rh vibration level      | 8.0/6.5 m/s <sup>2</sup>                                     | 8.0/6.5 m/s <sup>2</sup>                                     |
| Weight                     | 6.8 kg   | 7.1 kg   |

Available while stocks last

Available while stocks last

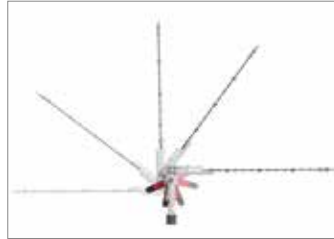
# BC series with shaft



Uneven or sloping terrain and hard-to-reach vegetation are no longer an obstacle to pruning work, thanks to shaft hedge trimmers. The ergonomic and comfortable handles are equipped with safety switches designed to stop the tool immediately if the user loses grip. The high cutting quality is due to the 180° double blade adjustable through 11 positions.



EasyOn starting system: reduces kickback during ignition.



High quality steel blades, adjustable through 11 different positions from 0° to 180°, ensure a clean and accurate cutting action that safeguards the health of the hedge.



Magnesium gearbox which minimises the weight of the tool.



Steel tip protector for blades, available as an accessory. **58050083**



## BC 241 HC

## BC 241 HCL

|                            |  |  |
|----------------------------|--|--|
| Power                      | 1.2 HP - 0.9 kW  | 1.2 HP - 0.9 kW  |
| Displacement               | 21.7 cm <sup>3</sup>   | 21.7 cm <sup>3</sup>   |
| Type/Blade                 | double blade, rotatable through 11 positions from 0° to 180° | double blade, rotatable through 11 positions from 0° to 180° |
| Length/Blade               | 550 mm   | 550 mm   |
| Machine overall length     | 1.8 m  | 2.4 m  |
| Pitch/Blade                | 35 mm  | 35 mm  |
| Sound pressure/power level | 93.4/104.7 dB(A)   | 93.4/104.7 dB(A)   |
| Lh/rh vibration level      | 8.0/6.5 m/s <sup>2</sup>                                     | 8.0/6.5 m/s <sup>2</sup>                                     |
| Weight                     | 6.2 kg   | 6.5 kg   |



# Lawns, ditches, undergrowth: a perfect cut knows no obstacles.

## Technology and comfort

**Oleo-Mac** has designed a brushcutter for all types of cutting and finishing work. **Oleo-Mac** models are equipped with engines that deliver a high torque even at low speed. The many features of these models, including the self-lubricating bushes and ergonomic handles, ensure the maximum user comfort when working with these tools. Other aspects, such as the generous size of the clutch, the steel composition of the crankshaft or the two piston rings, make our brushcutters safe and reliable workmates that are guaranteed to endure through time. The safety devices provided make **Oleo-Mac** tools suitable for both professional and home use.



Forged steel crankshaft and piston with two rings: guarantees longer working life.



Ergonomic loop and handles: clad in soft rubber to provide an anatomic and comfortable grip of the tool in all operating conditions.



AlwaysOn on/off system: returns automatically to the start position after each stop, avoiding flooding of the engine.



Filter support with anti-backflow element (Emak patent): prevents the filter from becoming fouled by fuel and guarantees longer operation between filter maintenance procedures.



User-friendly starting EasyOn system that ensures smooth engine pick-up with no kickback and a limited number of pulls.



Large size paper air filter for higher filtration capacity, guaranteeing excellent protection of the engine also in very dusty conditions.











# TR series



Electric trimmers are the perfect tool for clearing small plots of land, combining high performance with easy use. Ranging in power from 600 to 850 W, these tools are particularly indicated for occasional jobs at home, such as tidying the lawn and finishing the edges.



**TR 61 E**



**TR 91 E**

|                                  | TR 61 E  | TR 91 E  |
|----------------------------------|--|--|
| Power                            | 600 W  | 850 W  |
| Voltage/Frequency                | 120-230 V/50-60 Hz                             | 120-230 V/50-60 Hz                             |
| Tube diameter                    | 22 mm  | 22 mm  |
| Grip                             | single   | single   |
| Cutting components               | 105 mm dia. Tap&Go head with 1.65 mm dia. line | 109 mm dia. Tap&Go head with 1.60 mm dia. line |
| Harness                          | optional                                       | single   |
| Sound pressure/power level       | 86/95 dB(A)                                    | 87/95 dB(A)                                    |
| Lh/rh vibration level            | 5.4/3.1 m/s <sup>2</sup>                       | 6.4/6.0 m/s <sup>2</sup>                       |
| Dry weight without cutting tools | 3.7 kg   | 4.0 kg   |





# H series lightweight

“H” series brushcutters are at the entry level of the **Oleo-Mac** range. These brushcutters are designed to guarantee the ideal combination of performance and economy, for jobs in home gardens and on smallholdings. Specifically, these compact and lightweight models are perfect for tidying and edging lawns.



Piston with 2 rings, forged and machined steel crankshaft and connecting rod, needle roller bearings, nickel plated cylinder: constant high efficiency guaranteed over time, even when undertaking heavy work schedules.



Exceptional reliability thanks to the Ø 8 mm rigid drive shaft running in 6 self-lubricating plain bearings.



AlwaysOn switch: rapid engine stopping, and thanks to the autoreset function, always ready to restart.



Ø 110 mm Tap&Go EVO line head, Ø 2.4 mm line, Tap&Go operation.



|                  |                  |
|------------------|------------------|
| <b>BCH 25 S</b>  | <b>BCH 25 T</b>  |
| <b>BCH 250 S</b> | <b>BCH 250 T</b> |

|                                  |  |  |
|----------------------------------|--|--|
| Power/Displacement               | 1.2 HP - 0.9 kW/25.4 cm <sup>3</sup>               | 1.2 HP - 0.9 kW/25.4 cm <sup>3</sup>   |
| Tube diameter                    | 26 mm  | 26 mm  |
| Grip                             | single   | handlebar  |
| Cutting components               | 110 mm dia. Tap&Go EVO line head with 2.40 mm line | 110 mm dia. Tap&Go EVO line head with 2.40 mm line<br>255 mm dia. disc with 3 blades |
| Harness                          | single   | single   |
| Fuel tank capacity               | 0.75 L   | 0.75 L   |
| Sound pressure/power level       | 98/114 dB(A)                                       | 98/114 dB(A)   |
| Lh/rh vibration level            | 5.3/5.5 m/s <sup>2</sup>                           | 3.5/4.7 m/s <sup>2</sup>   |
| Dry weight without cutting tools | 5.8 kg   | 6.4 kg   |



# H series 4-stroke



H-series 4-stroke brushcutters have been designed for cleaning lawns and finishing edges while respecting the environment and keeping noise to a minimum. The 4-stroke engine reduces both fuel consumption and noise emissions compared to 2-stroke models with the same displacement. **BCH** models are available in different configurations: single handgrip, double handgrip and backpack.



Engine with 4-stroke technology and overhead valves (OHV).



Large paper filter with excellent filtration capacity even in dusty environments.



AlwaysOn switch: rapid engine stopping, and thanks to the auto reset function, always ready to restart.



Tap&Go EVO head Ø 130 mm head, 2.4 mm line, Tap & Go operation.



## BCH 310 S

## BCH 310 T

## BCH 310 BP

|                                  | BCH 310 S  | BCH 310 T  | BCH 310 BP   |
|----------------------------------|--|--|--|
| Power/Displacement               | 1.0 HP - 0.75 kW/31 cm <sup>3</sup>  | 1.0 HP - 0.75 kW/31 cm <sup>3</sup>  | 1.0 HP - 0.75 kW/31 cm <sup>3</sup>  |
| Tube diameter                    | 26 mm  | 26 mm  | 26 mm  |
| Grip                             | single   | handlebar  | single   |
| Cutting components               | 110 mm dia. Tap&Go EVO line head with 2.40 mm line<br>255 mm dia. disc with 3 blades | 110 mm dia. Tap&Go EVO line head with 2.40 mm line<br>255 mm dia. disc with 3 blades | 110 mm dia. Tap&Go EVO line head with 2.40 mm line<br>255 mm dia. disc with 3 blades |
| Harness                          | single   | single   | double integrated with backpack  |
| Fuel tank capacity               | 0.8 L  | 0.8 L  | 0.8 L  |
| Sound pressure/power level       | 93.9/111 dB(A)   | 93.9/111 dB(A)   | 94/109 dB(A)   |
| Lh/rh vibration level            | 4.5/6.1 m/s <sup>2</sup>   | 3.9/3.5 m/s <sup>2</sup>   | 2.8/2.1 m/s <sup>2</sup>   |
| Dry weight without cutting tools | 7.7 kg   | 8.0 kg   | 11.2 kg  |

# H series medium power

At the entry level of the **Oleo-Mac** range, “**H**” series brushcutters are designed to provide the perfect compromise of performance and economy for jobs in home gardens and on smallholdings. These models deliver constant torque and power even at low speeds, making them suitable for the most demanding jobs.



Piston with 2 rings, forged and machined steel crankshaft and connecting rod, needle roller bearings, nickel plated cylinder: constant high efficiency guaranteed over time, even when undertaking heavy work schedules.



Exceptional reliability thanks to the Ø 8 mm rigid drive shaft running in 6 self-lubricating plain bearings.



AlwaysOn switch: rapid engine stopping, and thanks to the autoreset function, always ready to restart.



Ø 130 mm Tap&Go EVO line head, Ø 2.4 mm, Tap&Go operation.



**BCH 40 T**

**BCH 40 BP**

**BCH 400 S**

**BCH 400 T**

**BCH 400 BP**

|                                  |  |  |  |
|----------------------------------|--|--|--|
| Power/Displacement               | 2.0 HP - 1.5 kW/40.2 cm <sup>3</sup>               | 2.0 HP - 1.5 kW/40.2 cm <sup>3</sup>   | 2.0 HP - 1.5 kW/40.2 cm <sup>3</sup>   |
| Tube diameter                    | 26 mm  | 28 mm  | 26 mm  |
| Grip                             | single   | handlebar  | single   |
| Cutting components               | 130 mm dia. Tap&Go EVO line head with 2.40 mm line | 130 mm dia. Tap&Go EVO line head with 2.40 mm line<br>255 mm dia. disc with 3 blades | 130 mm dia. Tap&Go EVO line head with 2.40 mm line<br>255 mm dia. disc with 3 blades |
| Harness                          | single   | double   | double   |
| Fuel tank capacity               | 1.10 L   | 1.10 L   | 1.10 L   |
| Sound pressure/power level       | 95.4/113 dB(A)                                     | 95.4/113 dB(A)   | 95.4/113 dB(A)   |
| Lh/rh vibration level            | 7.0/5.8 m/s <sup>2</sup>                           | 4.5/5.7 m/s <sup>2</sup>   | 4.6/3.3 m/s <sup>2</sup>   |
| Dry weight without cutting tools | 7.3 kg   | 8.1 kg (40 T) 8.2 kg (400 T)   | 9.9 kg (40 BP) 10.3 kg (400 BP)  |

# H series medium power



The top-of-the-range brushcutters in the “H” line are the 50.9 cm<sup>3</sup> **BCH** models. Offering a high level of power and linear engine torque even at low revs, they are the go-to choice for the most demanding jobs, such as clearing agricultural land, dense grass, brushwood or shrubs. The technical solutions adopted ensure consistent, long-term quality; **BCH 500** models are available in three different configurations—single handgrip, handlebar and backpack—to meet the widest variety of user needs.



Piston with 2 rings, forged and machined steel crankshaft and con rod, needle roller bearings, chrome plated cylinder: guaranteed constant efficiency through time, even in the most demanding working conditions.



Rigid drive shaft, Ø 8 mm: exceptional reliability thanks to the rigid drive shaft that runs in 6 self-lubricating bearings.



AlwaysOn system: the ON/OFF switch automatically returns to the ON position after each stop, avoiding the risk of engine flooding.



Tap&Go EVO head: ø 130 mm head equipped with 3.0 mm line, Tap&Go EVO operation.



**BCH 50 T**

**BCH 500 S                      BCH 500 T                      BCH 500 BP**

|                                  |  |  |  |
|----------------------------------|--|--|--|
| Power/Displacement               | 2.8 HP – 2.1 kW/50.9 cm <sup>3</sup>   | 2.8 HP – 2.1 kW/50.9 cm <sup>3</sup>   | 2.8 HP – 2.1 kW/50.9 cm <sup>3</sup>   |
| Tube diameter                    | 28 mm  | 32 mm  | 26 mm  |
| Grip                             | single   | handlebar  | single   |
| Cutting components               | 130 mm dia. Tap&Go EVO line head with 3.00 mm line<br>255 mm dia. disc with 3 blades | 130 mm dia. Tap&Go EVO line head with 3.00 mm line<br>255 mm dia. disc with 3 blades | 130 mm dia. Tap&Go EVO line head with 3.00 mm line<br>255 mm dia. disc with 3 blades |
| Harness                          | single   | double professional  | double integrated with backpack  |
| Fuel tank capacity               | 1.10 L   | 1.10 L   | 1.10 L   |
| Sound pressure/power level       | 101.5/116 dB(A)  | 101.5/116 dB(A)  | 104.9/115 dB(A)  |
| Lh/rh vibration level            | 5.3/4.8 m/s <sup>2</sup>   | 7.0/5.7 m/s <sup>2</sup>   | 6.4/4.5 m/s <sup>2</sup>   |
| Dry weight without cutting tools | 7.9 kg   | 8.3 kg (50 T) 8.3 kg (500 T)   | 11.0 kg  |





# H series multifunction

As the name suggests, “H” series multifunction brushcutters have multiple uses. Designed to meet the needs of those who occasionally need extra equipment, it combines several high-performance tools in a single machine. As well as pruning bushes, it is very useful for cutting the lawn and trimming hedges. Thanks to the separately purchasable applications and the no-tools quick coupling system, changing activities in the same work session can be done simply and rapidly.



Piston with 2 elastic rings, forged and machined steel crankshaft and connecting rod, needle roller bearings, nickel plated cylinder: constant high efficiency guaranteed over time, even when undertaking heavy work schedules.



Exceptional reliability thanks to the Ø 8mm rigid drive shaft running on 6 self-lubricating plain bearings.



AlwaysOn switch: rapid engine stopping, and thanks to the autoreset function, always ready to restart.



**BCH 25 D**

**BCH 250 D**

|                       |                                      |
|-----------------------|--------------------------------------|
| Power/Displacement    | 1.2 HP – 0.9 kW/25.4 cm <sup>3</sup> |
| Shaft arm diameter    | 26 mm                                |
| Handle                | single                               |
| Tank capacity         | 0.75 L                               |
| Weight of engine unit | 4.9 kg                               |

# H series multifunction

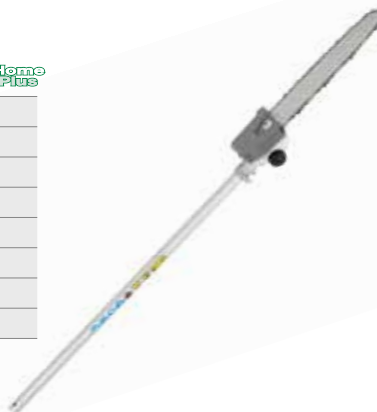


## Pruner\*\*



|                            |                          |
|----------------------------|--------------------------|
| Machine overall length     | 2.0 m                    |
| Bar length                 | 25 cm/10"                |
| Chain (pitch x gauge)      | 3/8"x .050"              |
| Oil tank capacity          | 0.13 L                   |
| Shaft arm diameter         | 26 mm                    |
| Sound pressure/power level | 96.0/110.7 dB(A)         |
| Lh/rh vibration level      | 1.4/1.4 m/s <sup>2</sup> |
| Weight of application      | 1.7 kg                   |

\*\* Can also be used with **BCi 35 D** battery-powered multifunction brushcutter



## Hedgetrimmer\*\*



|                            |   |
|----------------------------|---|
| Machine overall length     | 2.2 m   |
| Blade length               | 400 mm  |
| Blades                     | adjustable through 12 positions from 0° to 180° |
| Blade pitch                | 30 mm   |
| Shaft arm diameter         | 26 mm   |
| Sound pressure/power level | 96.5/108.0 dB(A)                                |
| Lh/rh vibration level      | 4.9/5.8 m/s <sup>2</sup>                        |
| Weight of application      | 2.2 kg  |

\*\* Can also be used with **BCi 35 D** battery-powered multifunction brushcutter



## Brushcutter



|  |  |
|--|--|
| Cutting components                       | 110 mm dia. Tap&Go EVO head with 2.40 mm dia. line |
| Shaft arm diameter                       | 26 mm  |
| Sound pressure/power level               | 98.0/114.0 dB(A)                                   |
| Lh/rh vibration level                    | 5.3/5.5 m/s <sup>2</sup>                           |
| Application weight without cutting tools | 1.5 kg   |



## Shaft extension\*\*



|                    |         |
|--------------------|---------|
| Weight             | 0.9 kg  |
| Shaft arm diameter | 26 mm   |
| Length             | 1000 mm |

\*\* Can also be used with **BCi 35 D** battery-powered multifunction brushcutter



# SPARTA series lightweight

**SPARTA** lightweight brushcutters are recommended for tidying and edging lawns in the garden for home users and in larger open spaces. The robust technological solutions adopted guarantee consistently high quality over time. These brushcutters are available with either a rigid drive shaft or with a curved shaft arm to adapt easily to suit all styles of use.



| SPARTA 25 TR | SPARTA 250 TR | SPARTA 250 S | SPARTA 250 T |
|--------------|---------------|--------------|--------------|
|--------------|---------------|--------------|--------------|

|                                  |  |  |  |
|----------------------------------|--|--|--|
| Power/Displacement               | 1.0 HP - 0.8 kW/25.4 cm <sup>3</sup>           | 1.0 HP - 0.8 kW/25.4 cm <sup>3</sup>           | 1.0 HP - 0.8 kW/25.4 cm <sup>3</sup>   |
| Tube diameter                    | 22 mm  | 26 mm  | 26 mm  |
| Grip                             | single   | single   | handlebar  |
| Cutting components               | 105 mm dia. Tap&Go head with 2.00 mm dia. line | 130 mm dia. Tap&Go head with 2.40 mm dia. line | 130 mm dia. Tap&Go head with 2.40 mm dia. line<br>255 mm dia. disc with 3 blades |
| Harness                          | optional                                       | single   | single   |
| Fuel tank capacity               | 0.75 L   | 0.75 L   | 0.75 L   |
| Sound pressure/power level       | 94/107 dB(A)                                   | 97/109 dB(A)                                   | 97/109 dB(A)   |
| Lh/rh vibration level            | 7.1/10.1 m/s <sup>2</sup>                      | 8.4/8.1 m/s <sup>2</sup>                       | 3.7/4.5 m/s <sup>2</sup>   |
| Dry weight without cutting tools | 4.5 kg   | 5.6 kg   | 6.2 kg   |



# SPARTA series medium power



Medium power brushcutters are reliable and can handle the tasks of higher power machines on an occasional basis. The **SPARTA** models are designed to guarantee high efficiency even when used continuously and in difficult environments. The robust technological solutions adopted guarantee consistently high quality over time.



Piston with 2 rings, forged and machined steel crankshaft and connecting rod, needle roller bearings: guaranteed constant efficiency through time, even when undertaking heavy work schedules.



Large size paper air cleaner for enhanced filtration capacity; equipped also with fuel anti-backflow system.



Exceptional reliability thanks to the Ø 8mm rigid drive shaft running in 6 self-lubricating plain bearings.



AlwaysOn switch: rapid engine stopping and, thanks to the autoreset function, always ready to restart.



|  | SPARTA 381 S | SPARTA 381 T | SPARTA 441 S | SPARTA 441 T |
|--|--------------|--------------|--------------|--------------|
|--|--------------|--------------|--------------|--------------|

|                                  |   |   |   |   |
|----------------------------------|---|---|---|---|
| Power/Displacement               | 1.8 HP – 1.3 kW/36.2 cm <sup>3</sup>            | 1.8 HP – 1.3 kW/36.2 cm <sup>3</sup>  | 2.1 HP – 1.6 kW/40.2 cm <sup>3</sup>            | 2.1 HP - 1.6 kW/40.2 cm <sup>3</sup>  |
| Tube diameter                    | 28 mm   | 28 mm   | 28 mm   | 28 mm   |
| Grip                             | single  | handlebar   | single  | handlebar   |
| Cutting components               | 130 mm dia. Load&Go head with 3.00 mm dia. line | 130 mm dia. Load&Go head with 3.00 mm dia. line<br>255 mm dia. disc with 3 blades | 130 mm dia. Load&Go head with 3.00 mm dia. line | 130 mm dia. Load&Go head with 3.00 mm dia. line<br>255 mm dia. disc with 3 blades |
| Harness                          | single  | double  | single  | double  |
| Fuel tank capacity               | 0.87 L  | 0.87 L  | 0.87 L  | 0.87 L  |
| Sound pressure/power level       | 99/112 dB(A)                                    | 99/112 dB(A)  | 98/107 dB(A)                                    | 98/107 dB(A)  |
| Lh/rh vibration level            | 5.7/6.2 m/s <sup>2</sup>                        | 3.7/5.4 m/s <sup>2</sup>  | 6.0/5.5 m/s <sup>2</sup>                        | 5.1/5.8 m/s <sup>2</sup>  |
| Dry weight without cutting tools | 7.2 kg  | 7.9 kg  | 7.3 kg  | 8.0 kg  |



# BC series lightweight

The lightweight brushcutters are recommended for tending the lawn and finishing the edges, both in home gardens and in larger open spaces. The engine of **BC 241** models has been upgraded in terms of performance: constant torque and power output also at low speeds for improved working capacity.



Piston with 2 rings, nickel-plated diecast cylinder, forged connecting rod and crankshaft: all features guaranteed to make the engine extremely rugged and durable.



WALBRO digital coil with electronic control and revs limiter: for easier starting, enhanced performance thanks to uniform combustion, and reduced fuel consumption.



The illustrated step-by-step start-up instructions ensure quick and safe starting, even for less expert users (**BC 241** models).



Home Plus Easy On Always On



Home Plus Easy On Always On

## BC 241 S

## BC 241 T

|                                  | BC 241 S  | BC 241 T  |
|----------------------------------|---|---|
| Power/Displacement               | 1.2 HP - 0.9 kW/21.7 cm <sup>3</sup>  | 1.2 HP - 0.9 kW/21.7 cm <sup>3</sup>  |
| Tube diameter                    | 24 mm   | 24 mm   |
| Grip                             | single  | handlebar   |
| Cutting components               | 130 mm dia. Load&Go head with 2.40 mm dia. line<br>255 mm dia. disc with 3 blades | 130 mm dia. Load&Go head with 2.40 mm dia. line<br>255 mm dia. disc with 3 blades |
| Harness                          | single  | single with cushion   |
| Fuel tank capacity               | 0.40 L  | 0.40 L  |
| Sound pressure/power level       | 91.5/106 dB(A)  | 91.5/106 dB(A)  |
| Lh/rh vibration level            | 4.8/4.6 m/s <sup>2</sup>  | 1.5/2.5 m/s <sup>2</sup>  |
| Dry weight without cutting tools | 4.5 kg  | 5.2 kg  |

# BC series medium power



**BC 270, BC 300 and BC 350** models are recommended for use by experts engaged in intensive and continuous work, such as gardeners carrying out finishing operations or small grass cutting jobs. High efficiency even under strain, but never impairing the high level of operator comfort and easy handling.



Piston with 2 rings, nickel-plated diecast cylinder, forged connecting rod and crankshaft: all features guaranteed to make the engine extremely rugged and durable.



The EasyLift mixture cap is the most practical solution for fast fluid top-up. The conveniently folding rear handgrip is ergonomic and ensures easy use of the filler caps without the need for tools.



Aluminium clutch housing and cover: optimised and reduced weight of the machine while imparting high strength and lasting reliability.



Ø 130 mm Load&Go head: assures quick and straightforward line replacement – just 20 seconds to rewind the line and resume work.



| BC 270 S  | BC 270 T  | BC 300 S  | BC 300 T  | BC 350 S   | BC 350 T   |
|---|---|---|---|--|--|
| 1.3 HP - 1.0 kW/27 cm <sup>3</sup>  | 1.3 HP - 1.0 kW/27 cm <sup>3</sup>  | 1.5 HP - 1.1 kW/30 cm <sup>3</sup>  | 1.5 HP - 1.1 kW/30 cm <sup>3</sup>  | 1.9 HP - 1.4 kW/36.3 cm <sup>3</sup>   | 1.9 HP - 1.4 kW/36.3 cm <sup>3</sup>   |
| 26 mm   | 26 mm   | 26 mm   | 26 mm   | 26 mm  | 28 mm  |
| single  | handlebar   | single  | handlebar   | single   | handlebar  |
| 130 mm dia. Load&Go line head with 2.40 mm line<br>255 mm dia. disc with 3 blades | 130 mm dia. Load&Go line head with 2.40 mm line<br>255 mm dia. disc with 3 blades | 130 mm dia. Load&Go line head with 2.40 mm line<br>255 mm dia. disc with 3 blades | 130 mm dia. Load&Go line head with 2.40 mm line<br>255 mm dia. disc with 3 blades | 130 mm dia. Load&Go line head with 3.00 mm dia. line<br>255 mm dia. disc with 3 blades | 130 mm dia. Load&Go line head with 3.00 mm dia. line<br>255 mm dia. disc with 3 blades |
| single  | single with cushion   | single  | single with cushion   | single   | double with quick release  |
| 0.69 L  | 0.69 L  | 0.69 L  | 0.69 L  | 0.6 L  | 0.6 L  |
| 93.5/102.8 dB(A)  | 93.5/102.8 dB(A)  | 97.7/111.2 dB(A)  | 97.7/111.2 dB(A)  | 91.5/106 dB(A)   | 91.5/106 dB(A)   |
| 5.9/5.9 m/s <sup>2</sup>  | 3.1/4.5 m/s <sup>2</sup>  | 6.3/5.4 m/s <sup>2</sup>  | 4.1/4.1 m/s <sup>2</sup>  | 5.2/4.6 m/s <sup>2</sup>   | 4.4/4.4 m/s <sup>2</sup>   |
| 5.7 kg  | 6.0 kg  | 6.0 kg  | 6.3 kg  | 6.9 kg   | 7.6 kg   |



# BC series multifunction

As the name suggests, multifunction brushcutters have multiple uses. Designed to satisfy the demands of both private and professional users, they combine the performance of different machines in a single tool. As well as pruning bushes, they are very useful for cutting the lawn, trimming hedges and blowing away leaves or debris. Thanks to the separately purchasable applications and the no-tools quick coupling system, changing the activity in the same work session can be done simply and rapidly. The models in the catalogue are available with two engine displacements, both compatible with the same applications.



Piston with 2 rings, nickel-plated diecast cylinder, forged connecting rod and crankshaft: all features guaranteed to make the engine extremely rugged and durable.



WALBRO digital coil with electronic control and revs limiter: for easier starting, enhanced performance thanks to uniform combustion, and reduced fuel consumption.



The EasyLift mixture cap is the most practical solution for fast fluid top-up. The conveniently folding rear handgrip is ergonomic and ensures easy use of the filler caps without the need for tools (**BC 300 D**).



The “no tools” quick fit system makes it possible to switch between applications easily and without using tools.



## BC 241 D

## BC 300 D

|                       |                                      |                                    |
|-----------------------|--------------------------------------|------------------------------------|
| Power/Displacement    | 1.2 HP – 0.9 kW/21.7 cm <sup>3</sup> | 1.5 HP – 1.1 kW/30 cm <sup>3</sup> |
| Shaft arm diameter    | 24 mm (26 mm application side)       | 26 mm                              |
| Handle                | single                               | single                             |
| Tank capacity         | 0.40 L                               | 0.69 L                             |
| Weight of engine unit | 4.2 kg                               | 4.8 kg                             |

# BC series multifunction



## Pruner



|                            |                          |
|----------------------------|--------------------------|
| Machine overall length     | 2.0 m                    |
| Bar length                 | 30 cm/12"                |
| Chain (pitch x gauge)      | 1/4"x .043"              |
| Oil tank capacity          | 0.18 L                   |
| Shaft arm diameter         | 26 mm                    |
| Sound pressure/power level | 91/102.5 dB(A)           |
| Lh/rh vibration level      | 7.3/6.6 m/s <sup>2</sup> |
| Weight of application      | 2.0 kg                   |



## Hedgetrimmer\*\*



|                            |   |
|----------------------------|---|
| Machine overall length     | 1.8 m   |
| Blade length               | 500 mm  |
| Blades                     | adjustable through 12 positions from 0° to 180° |
| Blade pitch                | 35 mm   |
| Shaft arm diameter         | 26 mm   |
| Sound pressure/power level | 93.4/104.7 dB(A)                                |
| Lh/rh vibration level      | 6.2/9.0 m/s <sup>2</sup>                        |
| Weight of application      | 2.7 kg  |



\*\* Can also be used with **BCi 530 D** battery-powered multifunction brushcutter

## Brushcutter\*\*



|  |   |
|--|---|
| Cutting components                       | 130 mm dia. Load&Go head with 2.40 mm dia. line<br>255 mm dia. disc with 3 blades |
| Shaft arm diameter                       | 26 mm   |
| Sound pressure/power level               | 91.5/106 dB(A)  |
| Lh/rh vibration level                    | 5.4/5.4 m/s <sup>2</sup>  |
| Application weight without cutting tools | 1.1 kg  |



\*\* Can also be used with **BCi 530 D** battery-powered multifunction brushcutter

## Blower\*\*



|                            |                          |
|----------------------------|--------------------------|
| Air flow rate              | 600 m <sup>3</sup> /h    |
| Air velocity               | 60 m/s                   |
| Shaft arm diameter         | 26 mm                    |
| Sound pressure/power level | 93.4/102 dB(A)           |
| Lh/rh vibration level      | 3.0/2.9 m/s <sup>2</sup> |
| Weight of application      | 1.5 kg                   |



\*\* Can also be used with **BCi 530 D** battery-powered multifunction brushcutter

## Shaft extension\*\*



|                    |        |
|--------------------|--------|
| Weight             | 0.7 kg |
| Shaft arm diameter | 26 mm  |
| Length             | 750 mm |



\*\* Can also be used with **BCi 530 D** battery-powered multifunction brushcutter



# BC series / 741-746 series professional

These tools are ideal for professionals and groundcare operators, also when working on large surface areas. Strong and sturdy, these brushcutters are designed to handle intensive and continuous jobs, such as clearing thick grass, brushwood and shrubs, guaranteeing absolutely consistent quality over time. All models are equipped with a professional 3-tooth blade designed specifically for cutting back undergrowth. The technical features of our models ensure efficiency, high performance and maximum operator comfort in action.



Piston with 2 rings, nickel-plated diecast cylinder, forged connecting rod and crankshaft: all features guaranteed to make the engine extremely rugged and durable.



WALBRO digital coil with electronic control and revs limiter: for easier starting, enhanced performance thanks to uniform combustion, and reduced fuel consumption.



Large size paper air cleaner for enhanced filtration capacity and long working times.



Ø 130 mm Load&Go head: assures quick and straightforward line replacement – just 20 seconds to rewind the line and resume work.



**BC 400 S      BC 400 T      741      746 T**

|                                  | BC 400 S  | BC 400 T  | 741   | 746 T   |
|----------------------------------|---|---|---|---|
| Power/Displacement               | 2.5 HP – 1.83 kW/44 cm <sup>3</sup>   | 2.5 HP – 1.83 kW/44 cm <sup>3</sup>   | 2.1 HP – 1.6 kW/40.2 cm <sup>3</sup>  | 2.5 HP - 1.8 kW/45.7 cm <sup>3</sup>  |
| Tube diameter                    | 28 mm   | 28 mm   | 28 mm   | 32 mm   |
| Grip                             | single  | handlebar   | handlebar   | handlebar   |
| Cutting components               | 130 mm dia. Load&Go line head with 3.00 mm line<br>255 mm dia. disc with 3 blades | 130 mm dia. Load&Go line head with 3.00 mm line<br>255 mm dia. disc with 3 blades | 130 mm dia. Load&Go line head with 3.00 mm line<br>255 mm dia. disc with 3 blades | 130 mm dia. Load&Go head with 3.00 mm dia. line<br>305 mm dia. disc with 3 blades |
| Harness                          | single  | double professional   | double  | double professional   |
| Fuel tank capacity               | 0.75 L  | 0.75 L  | 0.87 L  | 1.50 L  |
| Sound pressure/power level       | 102/108 dB(A)   | 102/108 dB(A)   | 98/107 dB(A)  | 91/104 dB(A)  |
| Lh/rh vibration level            | 6.0/6.3 m/s <sup>2</sup>  | 5.1/3.4 m/s <sup>2</sup>  | 3.7/5.4 m/s <sup>2</sup>  | 3.7/5.4 m/s <sup>2</sup>  |
| Dry weight without cutting tools | 7.4 kg  | 8.3 kg  | 7.9 kg  | 8.1 kg  |



# 753 series / BC series professional



Designed to meet the needs of ground care professionals accustomed to tackling the toughest maintenance schedules in terms of both intensity and duration: clearing of extensive areas, both on flat ground and in hard to access locations, maintenance of green assets in rural areas and, more generally, clearing agricultural land.



AlwaysOn switch: rapid engine stopping and, thanks to the autoreset function, always ready to restart (**BC 530, BC 550**).



Aluminium clutch housing and cover: combines strength with lightweight construction, guaranteeing lasting reliability.



Innovative Load&Go ExtraLife head with reinforced knob: ensures extremely quick and simple reload, with just 20 seconds needed to rewind the line and resume cutting operations (**BC 530, BC 550**).



**BC 550 MASTER** version: features an advanced anti-vibration system anchored with 2 steel springs to reduce the level of vibration transmitted to the operator.



| 753 T   | 755 MASTER   | BC 530 S   | BC 530 T   | BC 550 MASTER  |
|---|--|--|--|--|
| 2.8 HP - 2.1 kW/52.5 cm <sup>3</sup>  | 2.8 HP - 2.1 kW/52.5 cm <sup>3</sup>   | 3.3 HP - 2.4 kW/51.7 cm <sup>3</sup>   | 3.3 HP - 2.4 kW/51.7 cm <sup>3</sup>   | 3.3 HP - 2.4 kW/51.7 cm <sup>3</sup>   |
| 32 mm   | 32 mm  | 28 mm  | 32 mm  | 32 mm  |
| handlebar   | handlebar  | single   | handlebar  | handlebar  |
| 130 mm dia. Load&Go head with 3.00 mm dia. line<br>305 mm dia. disc with 3 blades | 160 mm dia. Tap&Go head with 3.50 mm dia. line<br>305 mm dia. disc with 3 blades | 130 mm dia. Load&Go ExtraLife head (with metal reinforcement) with 3.00 mm dia. line<br>300 mm dia. disc with 3 blades | 130 mm dia. Load&Go ExtraLife head (with metal reinforcement) with 3.00 mm dia. line<br>300 mm dia. disc with 3 blades | 130 mm dia. Load&Go ExtraLife head (with metal reinforcement) with 3.00 mm dia. line<br>300 mm dia. disc with 3 blades |
| double professional   | double professional  | single   | double professional  | double professional  |
| 1.50 L  | 1.50 L   | 1.20 L   | 1.20 L   | 1.20 L   |
| 93/105 dB(A)  | 93/105 dB(A)   | 103.5/113.6 dB(A)  | 103.5/113.6 dB(A)  | 103.5/113.6 dB(A)  |
| 2.6/3.7 m/s <sup>2</sup>  | 3.7/4.0 m/s <sup>2</sup>   | 6.0/7.1 m/s <sup>2</sup>   | 2.9/5.9 m/s <sup>2</sup>   | 3.5/5.8 m/s <sup>2</sup>   |
| 8.2 kg  | 8.5 kg   | 8.5 kg   | 9.4 kg   | 9.9 kg   |
|   |  | Available while stocks last  | Available while stocks last  | Available while stocks last  |

# BC series professional

These are top-of-the-range models because they are designed using the most innovative technical solutions, which ensure high performance, long-lasting durability and maximum operator comfort. They perfectly meet the needs of professional groundskeepers and gardeners engaged in intensive and continuous work, such as cutting thick grass, brushwood and shrubs, or tidying roadside verges. All models are equipped with the professional 3-tooth disc designed specifically for cutting back undergrowth.



EasyStart system: ensures greater comfort and reduces kickback thanks to a double spring inside the starter case.



Hollow drive shaft and magnesium crankcase: lightweight components to improve performance by reducing the overall weight of the machine.



Large-sized air filter in paper and sponge for enhanced filtration capacity and long working times.



Stone guard with a modern, no-frills design, lightened at the front, ensures high visibility and smooth running whether over bumpy terrain or dense undergrowth.



|                                  | BC 540 S   | BC 540 T   | BC 540 MASTER  |
|----------------------------------|--|--|--|
| Power/Displacement               | 3.3 HP - 2.4 kW/51.7 cm <sup>3</sup>   | 3.3 HP - 2.4 kW/51.7 cm <sup>3</sup>   | 3.3 HP - 2.4 kW/51.7 cm <sup>3</sup>   |
| Tube diameter                    | 28 mm  | 32 mm  | 32 mm  |
| Grip                             | single   | handlebar  | handlebar  |
| Cutting components               | 130 mm dia. Load&Go ExtraLife head (with metal reinforcement) with 3.00 mm dia. line<br>300 mm dia. disc with 3 blades | 130 mm dia. Load&Go ExtraLife head (with metal reinforcement) with 3.00 mm dia. line<br>300 mm dia. disc with 3 blades | 130 mm dia. Load&Go ExtraLife head (with metal reinforcement) with 3.00 mm dia. line<br>300 mm dia. disc with 3 blades |
| Harness                          | single   | double professional  | double professional  |
| Fuel tank capacity               | 1.30 L   | 1.30 L   | 1.30 L   |
| Sound pressure/power level       | 104.6/113 dB(A)  | 104.6/113 dB(A)  | 104.6/113 dB(A)  |
| Lh/rh vibration level            | 7.4/6.8 m/s <sup>2</sup>   | 5.4/6.2 m/s <sup>2</sup>   | 1.5/2.7 m/s <sup>2</sup>   |
| Dry weight without cutting tools | 8.1 kg   | 9.2 kg   | 9.4 kg   |

# SPARTA series / BCF series backpack/shoulder



The backpack brushcutters are designed to be carried on the shoulders like a backpack, to distribute the weight evenly. They are the ideal tool for professionals seeking a working machine that combines high performance with maximum comfort. These models use an engine housed in a frame and have a longer shaft than the other brushcutters, allowing them to be used even on terrain that is particularly inaccessible or difficult to reach. Thanks to the ergonomic backpack with height-adjustable shoulder straps and lumbar support in breathable material, the operator can enjoy unparalleled freedom for working near ditches, escarpments and undergrowth.



Piston with 2 rings, nickel-plated diecast cylinder, forged connecting rod and crankshaft: all features guaranteed to make the engine extremely rugged and durable.



Innovative Load&Go ExtraLife head with reinforced knob: ensures extremely quick and simple reload, with just 20 seconds needed to rewind the line and resume cutting operations (BCF 550).



Model **BCF 550** equipped with an ergonomic metal backpack, designed for enhanced comfort. The integral utility tote can accommodate a line head.



Large-sized paper air cleaner for enhanced filtration capacity and long working times.



Only available  
in certain markets

**SPARTA 441 BP**

**BCF 550**

**BCF 540**

|                                  |   |  |  |
|----------------------------------|---|--|--|
| Power/Displacement               | 2.1 HP - 1.6 kW/40.2 cm <sup>3</sup>  | 3.3 HP - 2.4 kW/51.7 cm <sup>3</sup>   | 3.3 HP - 2.4 kW/51.7 cm <sup>3</sup>   |
| Tube diameter                    | 26 mm   | 26 mm  | 26 mm  |
| Grip                             | single  | single   | single   |
| Cutting components               | 130 mm dia. Load&Go head with 3.00 mm dia. line<br>255 mm dia. disc with 3 blades | 130 mm dia. Load&Go ExtraLife head (with metal reinforcement) with 3.00 mm dia. line<br>255 mm dia. disc with 3 blades | 130 mm dia. Load&Go ExtraLife head (with metal reinforcement) with 3.00 mm dia. line<br>255 mm dia. disc with 3 blades |
| Harness                          | double integrated with backpack   | double professional integrated with backpack   | double professional integrated with backpack   |
| Fuel tank capacity               | 0.75 L  | 1.20 L   | 1.30 L   |
| Sound pressure/power level       | 96.5/107 dB(A)  | 103.4/113.1 dB(A)  | 100.4/111 dB(A)  |
| Lh/rh vibration level            | 1.7/2.1 m/s <sup>2</sup>  | 2.1/3.4 m/s <sup>2</sup>   | 5.8/4.9 m/s <sup>2</sup>   |
| Dry weight without cutting tools | 9.5 kg  | 12.5 kg  | 12.8 kg  |
|                                  |   | Available while stocks last  |  |



## Additional tools - Pruner / Adjustable hedgetrimmers

---

### Pruner PH 30

Model for home gardens, available with 10" guide bar and chain, adaptable to **BCH 25** and **BCH 250** brushcutters.

Product number **61469208**

PH 30



### Pruner EP 125

Professional model for intensive use, available with 1/\*4" guide bar and 12" chain, adaptable to brushcutters with shaft arm diameter of 26 mm (excluding **SPARTA 25**, **SPARTA 250** and **BCH** models).

Part number for version with 12" guide bar **63090076**

EP 125



### Swivel hedgetrimmers HH 30

For use in home gardens, compatible with **BCH 25**, **BCH 250** brushcutters and **PPH 250** pruner.

Product number **61469209**

HH 30



### Swivel hedgetrimmers EHC 52

Professional model for intensive use, with 50 cm blade, compatible with rigid and backpack brushcutters with shaft arm diameter of 26 mm (excluding **SPARTA 25**, **SPARTA 250** and **BCH** models) and 24 mm. It is particularly suitable for hedge maintenance and can rotate through 270° with numerous fixed positions in between.

EHC 52



### Hedgetrimmer tip protector

For the **EHC 52** articulating hedge trimmer a tip protector is available (**58050083**) to safeguard the operation of the tool when working near to barriers, metal nets and other obstacles that might otherwise damage the tool. Compatible with models: **EHC 52 (58059013)**, hedge trimmer tool for multifunction brushcutter (**61289121**), 56 V battery-powered shaft hedge trimmer (**54339001**), petrol engine shaft hedge trimmer **BC 241 HC (61379070E5)** and **BC 241 HCL (61379072E5)**.



# Additional tools - Pruner / Adjustable hedgetrimmers

| Machines                      | Shaft arm outer Ø | Bevel gear Ø | Pruner   |           |          | Swivel hedgetrimmers |           |           |          |
|-------------------------------|-------------------|--------------|----------|-----------|----------|----------------------|-----------|-----------|----------|
|                               |                   |              | PH 30    | EP 120    | EP 125   | HH 30                | EH 48     | EH 50     | EHC 52   |
| Part number                   |                   |              | 61469208 | 63090032B | 63090076 | 61469209             | 58059012A | 58059001B | 58059013 |
| TR 61 E                       | 22                | M8 male      |          |           |          |                      |           |           |          |
| TR 91 E                       | 22                | M8 male      |          |           |          |                      |           |           |          |
| BCH 25 S / BCH 250 S          | 26                | M10 male     | ○        |           |          | ○                    |           |           |          |
| BCH 25 T / BCH 250 T          | 26                | M10 male     |          |           |          |                      |           |           |          |
| BCH 25 D / BCH 250 D          | 26                | M10 male     | ○        |           |          | ○                    |           |           |          |
| BCH 310 S                     | 26                | M10 male     | ○        |           |          | ○                    |           |           |          |
| BCH 310 T                     | 26                | M10 male     | ○        |           |          | ○                    |           |           |          |
| BCH 310 BP                    | 26                | M10 male     | ○        |           |          | ○                    |           |           |          |
| BCH 400 S                     | 26                | M10 male     |          |           |          |                      |           |           |          |
| BCH 40 T / BCH 400 T          | 28                | M10 male     |          |           |          |                      |           |           |          |
| BCH 40 BP / BCH 400 BP        | 26                | M10 male     |          |           |          |                      |           |           |          |
| BCH 500 S                     | 28                | M10 male     |          |           |          |                      |           |           |          |
| BCH 50 T / BCH 500 T          | 32                | M10 male     |          |           |          |                      |           |           |          |
| BCH 500 BP                    | 26                | M10 male     |          |           |          |                      |           |           |          |
| SPARTA 25 TR / SPARTA 250 TR  | 22                | M8 male      |          |           |          |                      |           |           |          |
| SPARTA 250 S                  | 26                | M8 female    |          |           |          |                      |           |           |          |
| SPARTA 25 / SPARTA 250 T      | 26                | M8 female    |          |           |          |                      |           |           |          |
| SPARTA 381 S                  | 28                | M10 male     |          |           |          |                      |           |           |          |
| SPARTA 381 T                  | 28                | M10 male     |          |           |          |                      |           |           |          |
| SPARTA 441 S                  | 28                | M10 male     |          |           |          |                      |           |           |          |
| SPARTA 441 T                  | 28                | M10 male     |          |           |          |                      |           |           |          |
| SPARTA 441 BP                 | 26                | M10 male     |          | ○         | ○        |                      |           | ○         | ○        |
| BC 241 S                      | 24                | M10 male     |          |           |          |                      | ○         |           | ○        |
| BC 241 T                      | 24                | M10 male     |          |           |          |                      | ○         |           | ○        |
| BC 270 S                      | 26                | M10 male     |          | ○         | ○        |                      |           | ○         | ○        |
| BC 270 T                      | 26                | M10 male     |          | ○         | ○        |                      |           | ○         | ○        |
| BC 300 S                      | 26                | M10 male     |          | ○         | ○        |                      |           | ○         | ○        |
| BC 300 T                      | 26                | M10 male     |          | ○         | ○        |                      |           | ○         | ○        |
| BC 241 D                      | 24                | M10 male     |          |           |          |                      | ○         |           | ○        |
| BC 300 D                      | 26                | M10 male     |          | ○         | ○        |                      |           | ○         | ○        |
| BC 350 S                      | 26                | M10 male     |          | ○         | ○        |                      |           | ○         | ○        |
| BC 350 T                      | 28                | M10 male     |          |           |          |                      |           |           |          |
| BC 400 S                      | 28                | M10 male     |          |           |          |                      |           |           |          |
| BC 400 T                      | 28                | M10 male     |          |           |          |                      |           |           |          |
| 741                           | 28                | M10 male     |          |           |          |                      |           |           |          |
| 746 S                         | 28                | M10 male     |          |           |          |                      |           |           |          |
| 746 T                         | 32                | M10 male     |          |           |          |                      |           |           |          |
| 753 T                         | 32                | M10 male     |          |           |          |                      |           |           |          |
| 755 MASTER                    | 32                | M10 male     |          |           |          |                      |           |           |          |
| BC 530 S / BC 540 S           | 28                | M10 male     |          |           |          |                      |           |           |          |
| BC 530 T / BC 540 T           | 32                | M10 male     |          |           |          |                      |           |           |          |
| BC 550 MASTER / BC 540 MASTER | 32                | M10 male     |          |           |          |                      |           |           |          |
| BCF 430                       | 26                | M10 male     |          | ○         | ○        |                      |           | ○         | ○        |
| 446 BP ERGO                   | 26                | M10 male     |          | ○         | ○        |                      |           | ○         | ○        |
| 453 BP ERGO                   | 26                | M10 male     |          | ○         | ○        |                      |           | ○         | ○        |
| BCF 550 / BCF 540             | 26                | M10 male     |          | ○         | ○        |                      |           | ○         | ○        |

○ compatible tools

# Accessories - Line heads



The smart line head: **twenty** seconds to refill,  
**zero** tools required, **zero** difficulties encountered.

Extra life available with the optional metal reinforced cap.



| The pack contains                  | Ø 103 mm   | Ø 110 mm  | Ø 130 mm  | Ø 130 mm | Technical specifications:   |
|------------------------------------|------------|-----------|-----------|----------|---|
| Load&Go head                       | ●          | ●         | ●         | ●        | - Load&Go easy line refilling system<br>- Tap&Go line feed system<br>- Interchangeable reinforced aluminium eyelets<br>- Reinforced cap with hex socket*<br>- Reinforced plastic body |
| 2.0 mm line                        | Pro-Silent | -         | -         | -        |   |
| 2.4 mm line                        | -          | Greenline | Greenline | ○        |   |
| 3.0 mm line                        | -          | -         | Greenline | First    |   |
| M10x1.25 adapter, lh female thread | ●          | ●         | ●         | ●        |   |
| Plastic knob                       | ●          | ●         | ●         | ○        |   |
| Metal knob                         | -          | -         | ○         | ●        |   |

● standard equipment ○ compatible tools

## Just 20 seconds and 3 simple steps to refill



### Load....

align the eyelets. Insert the line in the head through one eyelet and feed it out through the opposite one until obtaining two tails of identical length.



### &...

turn the profiled knob counter-clockwise.



### Go!

the head is now ready for use.



\* When line thickness and length call for more effort to rewind the line.

Insert the spark plug wrench into the corresponding hex socket.

Turn clockwise.

| Ø 103 mm                     | Knob              | Code              | Line                | Standard adapters         | Minimum quantity | Engine     |
|------------------------------|-------------------|-------------------|---------------------|---------------------------|------------------|------------|
|                              | Plastic           | <b>63149001</b>   | Ø 2.0 mm            | M8x1.25 lh female thread  | 20               | 20 – 25 cc |
| <b>Spare parts available</b> |                   |                   |                     |                           |                  |            |
|                              | Knob              | <b>63140005R</b>  | -                   | -                         | 5                |            |
|                              | Reel without line | <b>63140008R</b>  | -                   | -                         | 1                |            |
| Ø 110 mm                     | Knob              | Code              | Line                | Standard adapters         | Minimum quantity | Engine     |
|                              | Plastic           | <b>63109002</b>   | Ø 2.4 mm            | M10x1.25 lh female thread | 20               | 20 – 30 cc |
| <b>Spare parts available</b> |                   |                   |                     |                           |                  |            |
|                              | Knob              | <b>63100007R</b>  | -                   | -                         | 5                |            |
|                              | Reel without line | <b>63100020R</b>  | -                   | -                         | 1                |            |
| Ø 130 mm                     | Knob              | Code              | Line                | Standard adapters         | Minimum quantity | Engine     |
|                              | Plastic           | <b>63129008</b>   | Ø 2.4 mm + Ø 3.0 mm | M10x1.25 lh female thread | 20               | 20 – 55 cc |
|                              | Metal             | <b>63129015</b>   | Ø 3.0 mm            | M10x1.25 lh female thread | 20               | 30 – 55 cc |
| <b>Spare parts available</b> |                   |                   |                     |                           |                  |            |
|                              | Knob              | <b>63120007AR</b> | -                   | -                         | 5                |            |
|                              | Reel without line | <b>63120020AR</b> | -                   | -                         | 1                |            |
|                              | Reinforced knob   | <b>63120030AR</b> | -                   | -                         | 5                |            |








# Accessories - Line heads






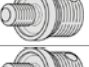



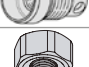
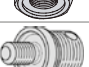
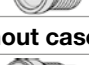




## Adapters kit for Tap&Go EVO and Load&Go line heads

The case contains 120 adapters (12 type of insert, different in terms of drive pin characteristics and thread pitch). The compatibility table allows fast identification of the type of line head adapter required in accordance with the make and model of brushcutter, guaranteeing total compatibility with the majority of models produced by the various makers and present on the world market. Dealers can re-order the most popular part codes with a minimum quantity of 10 items.







| Universal with 12-adapter kit case  |   |   |  |   |
|---|---|---|--|---|
|  |   |   |  |   |
| Tap&Go EVO  | Load&Go with plastic cap, metal knob and rapid line refill system                 |   |  |   |
|  |  |  |  |  |

|  | Adapters kit  | Part code        |
|--|---|------------------|
|  | Complete kit of 12 adapters compatible with our competitors' models | <b>63120021B</b> |

| Spare parts available   |                   |                  |                  |
|---|-------------------|------------------|------------------|
|   | Standard adapters | Part code        | Minimum quantity |
|  | M8x1.25LHF        | <b>63120046</b>  | 10               |
|  | M10x1LHF          | <b>63120047</b>  | 10               |
|  | M10x1.5LHF        | <b>63120050</b>  | 10               |
|  | M12x1.25LHF       | <b>63120051</b>  | 10               |
|  | M12x1.5LHF        | <b>63120052</b>  | 10               |
|  | M10x1.25LHM       | <b>63120048</b>  | 10               |
|  | M10x1.5LHM        | <b>63120049</b>  | 10               |
|  | M7x1LHM           | <b>63120045</b>  | 10               |
|  | 3/8-24FLHF        | <b>63120054</b>  | 10               |
|  | M12x1.75LHF       | <b>63120053</b>  | 10               |
|  | M14x1.5LHF        | <b>63120055</b>  | 10               |
|  | M8x1.25LHM        | <b>63120042R</b> | 10               |
| Available without case in 10-piece kits:  |                   |                  |                  |
|  | M10x1.25LHF       | <b>63120041R</b> | 10               |
|  | M8x1.25LHF        | <b>63120057</b>  | 10               |

# Accessories - Line heads









| Tap&Go with 2 nylon lines   |   |   |  |   |   |
|---|---|---|--|---|---|
|   |  |  |  |  |  |
|   | Ø 105 mm, M8x1.25<br>left hand female shaft thread,<br>anti-clockwise rotation    | Ø 105 mm, M8x1.25<br>left hand female shaft thread,<br>anti-clockwise rotation    | Ø 105 mm, M8x1.25<br>left hand male shaft thread,<br>anti-clockwise rotation       | Ø 109 mm, M8x1.25<br>left hand female shaft thread,<br>anti-clockwise rotation      | Ø 130 mm, M8x1.25<br>left hand female shaft thread,<br>anti-clockwise rotation      |
| Part number   | <b>60012020A</b>  | <b>61062023A</b>  | <b>63029008A</b>   | <b>63080011A</b>  | <b>4199040CR</b>  |
|  |   |   |  | Reel and line   | Reel and line   |
| Part number   |   |   |  | <b>63080012R</b>  | <b>4199045R</b>   |
| line diameter   | 1.65 mm   | 2.00 mm   | 2.00 mm  | 1.60 mm   | 2.00 mm   |
| TR 61 E   | ●   |   |  |   |   |
| TR 91 E   | ○   |   |  | ●   |   |
| BCH 25 S / BCH 250 S  |   |   |  |   |   |
| BCH 25 T / BCH 250 T  |   |   |  |   |   |
| BCH 25 D / BCH 250 D  |   |   |  |   |   |
| BCH 310 S   |   |   |  |   |   |
| BCH 310 T   |   |   |  |   |   |
| BCH 310 BP  |   |   |  |   |   |
| BCH 400 S   |   |   |  |   |   |
| BCH 40 T / BCH 400 T  |   |   |  |   |   |
| BCH 40 BP / BCH 400 BP  |   |   |  |   |   |
| BCH 500 S   |   |   |  |   |   |
| BCH 50 T / BCH 500 T  |   |   |  |   |   |
| BCH 500 BP  |   |   |  |   |   |
| SPARTA 25 TR / SPARTA 250 TR  |   | ●   |  |   |   |
| SPARTA 250 S  |   |   |  |   |   |
| SPARTA 25 / SPARTA 250 T  |   |   |  | ○   |   |
| SPARTA 381 S  |   |   |  | ○   |   |
| SPARTA 381 T  |   |   |  |   |   |
| SPARTA 441 S  |   |   |  |   |   |
| SPARTA 441 T  |   |   |  |   |   |
| SPARTA 441 BP   |   |   |  |   |   |
| BC 241 S  |   |   |  |   |   |
| BC 241 T  |   |   |  |   |   |
| BC 270 S  |   |   |  |   |   |
| BC 270 T  |   |   |  |   |   |
| BC 300 S  |   |   |  |   |   |
| BC 300 T  |   |   |  |   |   |
| BC 241 D  |   |   |  |   |   |
| BC 300 D  |   |   |  |   |   |
| BC 350 S  |   |   |  |   |   |
| BC 350 T  |   |   |  |   |   |
| BC 400 S  |   |   |  |   |   |
| BC 400 T  |   |   |  |   |   |
| 741   |   |   |  |   |   |
| 746 S   |   |   |  |   |   |
| 746 T   |   |   |  |   |   |
| 753 T   |   |   |  |   |   |
| 755 MASTER  |   |   |  |   |   |
| BC 530 S / BC 540 S   |   |   |  |   |   |
| BC 530 T / BC 540 T   |   |   |  |   |   |
| BC 550 MASTER / BC 540 MASTER   |   |   |  |   |   |
| BCF 430   |   |   |  |   |   |
| 446 BP ERGO   |   |   |  |   |   |
| 453 BP ERGO   |   |   |  |   |   |
| BCF 550 / BCF 540   |   |   |  |   |   |

● standard equipment ○ compatible tools

# Accessories - Line heads



|   | Tap&Go EVO   |  |  | Tap&Go with 2 nylon lines   |
|---|--|--|--|---|
|   |   |   |  |  |
|   | Ø 110 mm, M8x1.25<br>left hand male shaft thread,+<br>M10x1.25 left hand female shaft thread,<br>anti-clockwise rotation | Ø 130 mm, M8x1.25<br>left hand male shaft thread,+<br>M10x1.25 left hand female shaft thread,<br>anti-clockwise rotation | Ø 130 mm, M10x1.25<br>left hand female shaft thread,<br>anti-clockwise rotation    | Ø 160 mm, M10x1.25<br>left hand female shaft thread,<br>anti-clockwise rotation     |
| Part number   | <b>61469100</b>  | <b>61459100</b>  | <b>61459102</b>  | <b>61112061A</b>  |
|  | Reel without line  | Reel without line  | Reel without line  |   |
| Part number   | <b>61460023</b>  | <b>63120010R</b>   | <b>63120010R</b>   |   |
|  | Plastic knob   | Plastic knob   | Plastic knob   | Reel and line   |
| Part number   | <b>61460022</b>  | <b>63120011R</b>   | <b>63120011R</b>   | <b>63032003BR</b>   |
| line diameter   | 2.40 mm  | 2.40 mm  | 3.00 mm  | 3.50 mm   |
| TR 61 E   |  |  |  |   |
| TR 91 E   |  |  |  |   |
| BCH 25 S / BCH 250 S  | ●  |  |  |   |
| BCH 25 T / BCH 250 T  | ●  |  |  |   |
| BCH 25 D / BCH 250 D  | ●  |  |  |   |
| BCH 310 S   | ●  |  |  |   |
| BCH 310 T   | ●  |  |  |   |
| BCH 310 BP  | ●  |  |  |   |
| BCH 400 S   |  | ●  | ○  |   |
| BCH 40 T / BCH 400 T  |  | ●  | ○  |   |
| BCH 40 BP / BCH 400 BP  |  | ●  | ○  |   |
| BCH 500 S   |  | ○  | ●  |   |
| BCH 50 T / BCH 500 T  |  | ○  | ●  |   |
| BCH 500 BP  |  | ○  | ●  |   |
| SPARTA 25 TR / SPARTA 250 TR  |  |  |  |   |
| SPARTA 250 S  |  | ○  |  |   |
| SPARTA 25 / SPARTA 250 T  |  | ○  |  |   |
| SPARTA 381 S  |  | ○  | ○  |   |
| SPARTA 381 T  |  | ○  | ○  |   |
| SPARTA 441 S  |  | ○  | ○  |   |
| SPARTA 441 T  |  | ○  | ○  |   |
| SPARTA 441 BP   |  | ○  | ○  |   |
| BC 241 S  |  | ○  |  |   |
| BC 241 T  |  | ○  |  |   |
| BC 270 S  |  | ○  |  |   |
| BC 270 T  |  | ○  |  |   |
| BC 300 S  |  | ○  |  |   |
| BC 300 T  |  | ○  |  |   |
| BC 241 D  |  | ○  |  |   |
| BC 300 D  |  | ○  |  |   |
| BC 350 S  |  | ○  | ○  |   |
| BC 350 T  |  | ○  | ○  |   |
| BC 400 S  |  | ○  | ○  | ○   |
| BC 400 T  |  | ○  | ○  | ○   |
| 741   |  | ○  | ○  | ○   |
| 746 S   |  | ○  | ○  | ○   |
| 746 T   |  | ○  | ○  | ○   |
| 753 T   |  | ○  | ○  | ○   |
| 755 MASTER  |  | ○  | ○  | ●   |
| BC 530 S / BC 540 S   |  | ○  | ○  | ○   |
| BC 530 T / BC 540 T   |  | ○  | ○  | ○   |
| BC 550 MASTER / BC 540 MASTER   |  | ○  | ○  | ●   |
| BCF 430   |  | ○  | ○  |   |
| 446 BP ERGO   |  | ○  | ○  |   |
| 453 BP ERGO   |  | ○  | ○  |   |
| BCF 550 / BCF 540   |  | ○  | ○  |   |

● standard equipment ○ compatible tools

# Accessories - Line heads










| Universal multi-line with 4 and 8 lines   |   |   |
|---|---|---|
|   |              |      |
|   | Ø 4.7"/120 mm,<br>4 lines Platin-Cut,<br>20-25.4 mm bore<br>"Multiline Pro Head" in aluminium | Ø 3.15"/80 mm,<br>8 four-lobed trimmer lines<br>20-25.4 mm hole<br>"superpro" aluminium |
| Part number   | <b>63119013</b>   | <b>4180057</b>  |
|  |             |   |
| Part number   | Set of 50 lines, four-lobed section, 3.5 mm dia., length 300 mm                               |   |
| Part number   | <b>4180966C</b>   |   |
| line diameter   | 3.50 mm   | 3.50 mm   |
| TR 61 E   |   |   |
| TR 91 E   |   |   |
| BCH 25 S / BCH 250 S  |   |   |
| BCH 25 T / BCH 250 T  |   |   |
| BCH 25 D / BCH 250 D  |   |   |
| BCH 310 S   |   |   |
| BCH 310 T   |   |   |
| BCH 310 BP  |   |   |
| BCH 400 S   | ○   | ○   |
| BCH 40 T / BCH 400 T  | ○   | ○   |
| BCH 40 BP / BCH 400 BP  | ○   | ○   |
| BCH 500 S   | ○   | ○   |
| BCH 50 T / BCH 500 T  | ○   | ○   |
| BCH 500 BP  | ○   | ○   |
| SPARTA 25 TR / SPARTA 250 TR  |   |   |
| SPARTA 250 S  |   |   |
| SPARTA 25 / SPARTA 250 T  |   |   |
| SPARTA 381 S  | ○   | ○   |
| SPARTA 381 T  | ○   | ○   |
| SPARTA 441 S  | ○   | ○   |
| SPARTA 441 T  | ○   | ○   |
| SPARTA 441 BP   | ○   | ○   |
| BC 241 S  |   |   |
| BC 241 T  |   |   |
| BC 270 S  |   |   |
| BC 270 T  |   |   |
| BC 300 S  |   |   |
| BC 300 T  |   |   |
| BC 241 D  |   |   |
| BC 300 D  |   |   |
| BC 350 S  | ○   | ○   |
| BC 350 T  | ○   | ○   |
| BC 400 S  | ○   | ○   |
| BC 400 T  | ○   | ○   |
| 741   | ○   | ○   |
| 746 S   | ○   | ○   |
| 746 T   | ○   | ○   |
| 753 T   | ○   | ○   |
| 755 MASTER  | ○   | ○   |
| BC 530 S / BC 540 S   | ○   | ○   |
| BC 530 T / BC 540 T   | ○   | ○   |
| BC 550 MASTER / BC 540 MASTER   | ○   | ○   |
| BCF 430   | ○   | ○   |
| 446 BP ERGO   | ○   | ○   |
| 453 BP ERGO   | ○   | ○   |
| BCF 550 / BCF 540   | ○   | ○   |

• standard equipment    ○ compatible tools



# Accessories - Line heads







| Load&Go with plastic cap, metal knob and rapid line refill system                             |   |   |   |  |         |
|---|---|---|---|--|---------|
|   |  |  |   |                             |         |
|   | Ø 103 mm, M8x1.25 left hand female shaft thread, anti-clockwise rotation          | Ø 110 mm, M10x1.25 left hand female shaft thread, anti-clockwise rotation         | Ø 130 mm, plastic knob, 1 insert M10x1.25 left hand female shaft thread, line Ø 2.40 and 3.00 mm, anti-clockwise rotation | Ø 130 mm, metal knob, 1 left hand female shaft thread M10x1.25 insert, Ø 3.00 mm line, anti-clockwise rotation |         |
| Part number   | <b>63149001</b>   | <b>63109002</b>   | <b>63129008</b>   | <b>63129015</b>  |         |
| Part number  | Reel without line <b>63100020R</b>  | Reel without line <b>63100020R</b>  | Reel without line <b>63120020AR</b>   | Reel without line <b>63120020AR</b>  |         |
| Part number  | Plastic knob <b>63140005R</b>   | Plastic knob <b>63100007R</b>   | Plastic knob <b>63120007AR</b>  | Plastic knob <b>63120007AR</b>   |         |
| Part number  |   |   | Optional metal knob <b>63120030AR</b>   | Standard metal knob <b>63120030AR</b>  |         |
| line diameter   | 2.00 mm   | 2.40 mm   | 2.40 mm   | 3.00 mm  | 3.00 mm |
| TR 61 E   |   |   |   |  |         |
| TR 91 E   | ○ + <b>63120057</b>   |   |   |  |         |
| BCH 25 S / BCH 250 S  |   | ○   |   |  |         |
| BCH 25 T / BCH 250 T  |   | ○   |   |  |         |
| BCH 25 D / BCH 250 D  |   | ○   |   |  |         |
| BCH 310 S   |   | ○   |   |  |         |
| BCH 310 T   |   | ○   |   |  |         |
| BCH 310 BP  |   | ○   |   |  |         |
| BCH 400 S   |   |   | ○   | ○  |         |
| BCH 40 T / BCH 400 T  |   |   | ○   | ○  |         |
| BCH 40 BP / BCH 400 BP  |   |   | ○   | ○  |         |
| BCH 500 S   |   |   | ○   | ○  |         |
| BCH 50 T / BCH 500 T  |   |   | ○   | ○  |         |
| BCH 500 BP  |   |   | ○   | ○  |         |
| SPARTA 25 TR / SPARTA 250 TR  |   |   |   |  |         |
| SPARTA 250 S  |   |   | ○   |  |         |
| SPARTA 25 / SPARTA 250 T  |   |   | ○   |  |         |
| SPARTA 381 S  |   |   |   | ●  | ○       |
| SPARTA 381 T  |   |   |   | ●  | ○       |
| SPARTA 441 S  |   |   |   | ●  | ○       |
| SPARTA 441 T  |   |   |   | ●  | ○       |
| SPARTA 441 BP   |   |   |   | ●  | ○       |
| BC 241 S  | ○   | ○   | ●   |  |         |
| BC 241 T  | ○   | ○   | ●   |  |         |
| BC 270 S  |   | ○   | ●   |  |         |
| BC 270 T  |   | ○   | ●   |  |         |
| BC 300 S  |   | ○   | ●   |  |         |
| BC 300 T  |   | ○   | ●   |  |         |
| BC 241 D  | ○   | ○   | ●   |  |         |
| BC 300 D  |   | ○   | ●   |  |         |
| BC 350 S  |   |   | ○   | ●  | ○       |
| BC 350 T  |   |   | ○   | ●  | ○       |
| BC 400 S  |   |   |   | ●  |         |
| BC 400 T  |   |   |   | ●  |         |
| 741   |   |   | ○   | ●  | ○       |
| 746 S   |   |   |   | ●  | ○       |
| 746 T   |   |   |   | ●  | ○       |
| 753 T   |   |   |   | ●  | ○       |
| 755 MASTER  |   |   |   | ○  | ○       |
| BC 530 S / BC 540 S   |   |   |   | ○  | ●       |
| BC 530 T / BC 540 T   |   |   |   | ○  | ●       |
| BC 550 MASTER / BC 540 MASTER   |   |   |   | ○  | ○       |
| BCF 430   |   |   | ○   | ●  | ○       |
| 446 BP ERGO   |   |   |   | ●  | ○       |
| 453 BP ERGO   |   |   |   | ●  | ○       |
| BCF 550 / BCF 540   |   |   |   | ●  | ○       |

● standard equipment ○ compatible tools

# Accessories - Blades








| Part number                   | Special steel blades for grass cutting  |   | 3-tooth blades in special steel   |   |
|-------------------------------|---|---|---|---|
|                               |  |  |  |  |
|                               | <b>4095567BR</b>  | <b>4095675BR</b>  | <b>4095637BR</b>  | <b>4095638BR</b>  |
|                               | Ø 10"/255 mm,<br>thickness 1.6 mm,<br>bore 25.4 mm                                | Ø 12"/305 mm,<br>thickness 2.5 mm,<br>bore 25.4 mm                                | Ø 9"/230 mm,<br>thickness 1.4 mm,<br>bore 25.4 mm                                   | Ø 10"/255 mm,<br>thickness 1.4 mm,<br>bore 25.4 mm                                  |
| TR 61 E                       |   |   |   |   |
| TR 91 E                       |   |   |   |   |
| BCH 25 S / BCH 250 S          |   |   | ○   | ○   |
| BCH 25 T / BCH 250 T          |   |   | ○   | ○   |
| BCH 25 D / BCH 250 D          |   |   | ○   | ○   |
| BCH 310 S                     |   |   | ○   | ○   |
| BCH 310 T                     |   |   | ○   | ○   |
| BCH 310 BP                    |   |   | ○   | ○   |
| BCH 400 S                     | ○   | ○   | ○   | ○   |
| BCH 40 T / BCH 400 T          | ○   | ○   | ○   | ○   |
| BCH 40 BP / BCH 400 BP        | ○   | ○   | ○   | ○   |
| BCH 500 S                     | ○   | ○   | ○   | ○   |
| BCH 50 T / BCH 500 T          | ○   | ○   | ○   | ○   |
| BCH 500 BP                    | ○   | ○   | ○   | ○   |
| SPARTA 25 TR / SPARTA 250 TR  |   |   |   |   |
| SPARTA 250 S                  |   |   | ○   | ○   |
| SPARTA 25 / SPARTA 250 T      |   |   | ○   | ○   |
| SPARTA 381 S                  |   |   |   |   |
| SPARTA 381 T                  |   |   |   |   |
| SPARTA 441 S                  |   |   |   |   |
| SPARTA 441 T                  |   | ○   |   | ○   |
| SPARTA 441 BP                 | ○   |   |   | ○   |
| BC 241 S                      |   |   | ○   | ○   |
| BC 241 T                      |   |   | ○   | ○   |
| BC 270 S                      |   |   | ○   | ○   |
| BC 270 T                      |   |   | ○   | ○   |
| BC 300 S                      | ○   |   |   | ○   |
| BC 300 T                      | ○   |   |   | ○   |
| BC 241 D                      |   |   |   |   |
| BC 300 D                      | ○   |   |   | ○   |
| BC 350 S                      | ○   |   |   | ○   |
| BC 350 T                      | ○   |   |   | ○   |
| BC 400 S                      |   |   |   | ○   |
| BC 400 T                      |   | ○   |   | ○   |
| 741                           |   | ○   |   | ○   |
| 746 S                         |   | ○   |   | ○   |
| 746 T                         |   | ○   |   | ○   |
| 753 T                         |   | ○   |   | ○   |
| 755 MASTER                    |   | ○   |   | ○   |
| BC 530 S / BC 540 S           |   | ○   |   | ○   |
| BC 530 T / BC 540 T           |   | ○   |   | ○   |
| BC 550 MASTER / BC 540 MASTER |   | ○   |   | ○   |
| BCF 430                       |   | ○   |   | ○   |
| 446 BP ERGO                   |   | ○   |   | ○   |
| 453 BP ERGO                   |   | ○   |   | ○   |
| BCF 550 / BCF 540             |   | ○   |   | ○   |

• standard equipment ○ compatible tools

# Accessories - Blades



| Part number                   | 3-tooth blades in tempered steel  |   | 4-tooth blades in tempered steel  |   |   |
|-------------------------------|---|---|---|---|---|
|                               |  |  |  |  |  |
|                               | <b>4095673BR</b>  | <b>4095674BR</b>  | <b>4095681AR</b>  | <b>4095568BR</b>  | <b>4095563BR</b>  |
|                               | Ø 10"/255 mm,<br>thickness 1.8 mm,<br>bore 25.4 mm                                | Ø 12"/305 mm,<br>thickness 2.4 mm,<br>bore 25.4 mm                                | 8"/200 mm dia.,<br>thickness 2.0 mm,<br>bore 25.4 mm                              | Ø 9"/230 mm,<br>thickness 1.4 mm,<br>bore 25.4 mm                                   | Ø 10"/255 mm,<br>thickness 1.4 mm,<br>bore 25.4 mm                                  |
| TR 61 E                       |   |   |   |   |   |
| TR 91 E                       |   |   |   |   |   |
| BCH 25 S / BCH 250 S          | ○   |   | ○   | ○   | ○   |
| BCH 25 T / BCH 250 T          | ●   |   | ○   | ○   | ○   |
| BCH 25 D / BCH 250 D          | ○   |   | ○   | ○   | ○   |
| BCH 310 S                     |   |   |   |   |   |
| BCH 310 T                     |   |   |   |   |   |
| BCH 310 BP                    |   |   |   |   |   |
| BCH 400 S                     | ○   | ○   | ○   |   | ○   |
| BCH 40 T / BCH 400 T          | ●   | ○   | ○   |   | ○   |
| BCH 40 BP / BCH 400 BP        | ○   |   | ○   |   | ○   |
| BCH 500 S                     | ●   | ○   | ○   |   | ○   |
| BCH 50 T / BCH 500 T          | ●   | ○   | ○   |   | ○   |
| BCH 500 BP                    | ●   |   | ○   |   | ○   |
| SPARTA 25 TR / SPARTA 250 TR  |   |   |   |   |   |
| SPARTA 250 S                  | ○   |   | ○   | ○   | ○   |
| SPARTA 25 / SPARTA 250 T      | ●   |   | ○   | ○   | ○   |
| SPARTA 381 S                  | ○   |   |   |   |   |
| SPARTA 381 T                  | ●   |   |   |   |   |
| SPARTA 441 S                  | ●   | ○   |   |   |   |
| SPARTA 441 T                  | ●   | ○   |   |   | ○   |
| SPARTA 441 BP                 | ●   |   |   |   | ○   |
| BC 241 S                      | ●   |   | ○   | ○   | ○   |
| BC 241 T                      | ●   |   | ○   | ○   | ○   |
| BC 270 S                      | ●   |   |   | ○   | ○   |
| BC 270 T                      | ●   |   |   | ○   | ○   |
| BC 300 S                      | ●   |   |   | ○   | ○   |
| BC 300 T                      | ●   |   |   | ○   | ○   |
| BC 241 D                      | ●   |   |   |   |   |
| BC 300 D                      | ●   |   |   | ○   | ○   |
| BC 350 S                      | ●   |   |   |   | ○   |
| BC 350 T                      | ●   |   |   |   | ○   |
| BC 400 S                      | ●   | ○   |   |   | ○   |
| BC 400 T                      | ●   | ○   |   |   | ○   |
| 741                           | ●   | ○   |   |   | ○   |
| 746 S                         | ○   | ○   |   |   | ○   |
| 746 T                         | ○   | ○   |   |   | ○   |
| 753 T                         | ○   | ○   |   |   | ○   |
| 755 MASTER                    | ○   | ○   |   |   | ○   |
| BC 530 S / BC 540 S           | ○   | ○   |   |   | ○   |
| BC 530 T / BC 540 T           | ○   | ○   |   |   | ○   |
| BC 550 MASTER / BC 540 MASTER | ○   | ○   |   |   | ○   |
| BCF 430                       | ●   | ○   |   |   | ○   |
| 446 BP ERGO                   | ●   | ○   |   |   | ○   |
| 453 BP ERGO                   | ●   | ○   |   |   | ○   |
| BCF 550 / BCF 540             | ●   | ○   |   |   | ○   |

● standard equipment ○ compatible tools



# Accessories - Blades








| Part number                   | 8-tooth blades in tempered steel                  |  | 22-tooth blades in tempered steel                 | 60-tooth blades in tempered steel                 |  |
|-------------------------------|---|--|---|---|--|
|                               |   |  |   |   |  |
|                               | <b>4095565BR</b>                                  | <b>4095065BR</b>                                   | <b>4095666BR</b>                                  | <b>4095636BR</b>                                  | <b>4095635BR</b>                                   |
|                               | Ø 9"/230 mm,<br>thickness 1.4 mm,<br>bore 25.4 mm | Ø 10"/255 mm,<br>thickness 1.4 mm,<br>bore 25.4 mm | Ø 8"/200 mm,<br>thickness 1.6 mm,<br>bore 25.4 mm | Ø 9"/230 mm,<br>thickness 1.4 mm,<br>bore 25.4 mm | Ø 10"/255 mm,<br>thickness 1.4 mm,<br>bore 25.4 mm |
| TR 61 E                       |   |  |   |   |  |
| TR 91 E                       |   |  |   |   |  |
| BCH 25 S / BCH 250 S          | ○   |  |   |   |  |
| BCH 25 T / BCH 250 T          | ○   |  |   |   |  |
| BCH 25 D / BCH 250 D          | ○   |  |   |   |  |
| BCH 310 S                     |   |  |   |   |  |
| BCH 310 T                     |   |  |   |   |  |
| BCH 310 BP                    |   |  |   |   |  |
| BCH 400 S                     |   |  |   |   |  |
| BCH 40 T / BCH 400 T          |   |  |   |   |  |
| BCH 40 BP / BCH 400 BP        |   |  |   |   |  |
| BCH 500 S                     |   |  |   |   |  |
| BCH 50 T / BCH 500 T          |   |  |   |   |  |
| BCH 500 BP                    |   |  |   |   |  |
| SPARTA 25 TR / SPARTA 250 TR  |   |  |   |   |  |
| SPARTA 250 S                  | ○   |  |   |   |  |
| SPARTA 25 / SPARTA 250 T      | ○   |  |   |   |  |
| SPARTA 381 S                  |   |  |   |   |  |
| SPARTA 381 T                  |   |  |   |   |  |
| SPARTA 441 S                  |   |  |   |   |  |
| SPARTA 441 T                  | ○   | ○  | ○   | ○   | ○  |
| SPARTA 441 BP                 |   |  |   | ○   | ○  |
| BC 241 S                      | ○   | ○  |   |   |  |
| BC 241 T                      | ○   | ○  |   |   |  |
| BC 270 S                      | ○   |  |   |   |  |
| BC 270 T                      | ○   |  |   |   |  |
| BC 300 S                      | ○   | ○  |   |   |  |
| BC 300 T                      | ○   | ○  |   |   |  |
| BC 241 D                      |   |  |   |   |  |
| BC 300 D                      | ○   | ○  |   |   |  |
| BC 350 S                      | ○   | ○  |   | ○   | ○  |
| BC 350 T                      | ○   | ○  |   | ○   | ○  |
| BC 400 S                      | ○   | ○  | ○   | ○   | ○  |
| BC 400 T                      | ○   | ○  | ○   | ○   | ○  |
| 741                           | ○   | ○  | ○   | ○   | ○  |
| 746 S                         |   | ○  | ○   |   | ○  |
| 746 T                         |   | ○  | ○   |   | ○  |
| 753 T                         |   | ○  | ○   |   | ○  |
| 755 MASTER                    |   | ○  | ○   |   | ○  |
| BC 530 S / BC 540 S           |   | ○  | ○   |   | ○  |
| BC 530 T / BC 540 T           |   | ○  | ○   |   | ○  |
| BC 550 MASTER / BC 540 MASTER |   | ○  | ○   |   | ○  |
| BCF 430                       |   | ○  |   |   | ○  |
| 446 BP ERGO                   |   | ○  | ○   |   | ○  |
| 453 BP ERGO                   |   | ○  |   |   | ○  |
| BCF 550 / BCF 540             |   | ○  |   |   | ○  |

• standard equipment    ○ compatible tools



# Accessories - Blades



| Part number                   | 80-tooth blades in tempered steel   |   | 3-tooth brush blades in tempered steel  |   | Shredder blades with 2 curved teeth in special steel                                |
|-------------------------------|---|---|---|---|---|
|                               |  |  |  |  |  |
|                               | <b>4095564BR</b>  | <b>4095066BR</b>  | <b>4095641BR</b>  | <b>4095665BR</b>  | <b>4095677BR</b>  |
|                               | Ø 9"/230 mm,<br>thickness 1.4 mm,<br>bore 25.4 mm                                 | Ø 10"/255 mm,<br>thickness 1.4 mm,<br>bore 25.4 mm                                | Ø 10"/255 mm,<br>thickness 3.0 mm,<br>bore 25.4 mm                                | Ø 12"/305 mm,<br>thickness 3.0 mm,<br>bore 25.4 mm                                  | Ø 12"/305 mm,<br>thickness 3.0 mm,<br>bore 25.4 mm                                  |
| TR 61 E                       |   |   |   |   |   |
| TR 91 E                       |   |   |   |   |   |
| BCH 25 S / BCH 250 S          |   |   |   |   |   |
| BCH 25 T / BCH 250 T          |   |   |   |   |   |
| BCH 25 D / BCH 250 D          |   |   |   |   |   |
| BCH 310 S                     |   |   |   |   |   |
| BCH 310 T                     |   |   |   |   |   |
| BCH 310 BP                    |   |   |   |   |   |
| BCH 400 S                     |   |   | ○   | ○   |   |
| BCH 40 T / BCH 400 T          |   |   | ○   | ○   |   |
| BCH 40 BP / BCH 400 BP        |   |   | ○   |   |   |
| BCH 500 S                     |   |   | ○   | ○   |   |
| BCH 50 T / BCH 500 T          |   |   | ○   | ○   |   |
| BCH 500 BP                    |   |   | ○   |   |   |
| SPARTA 25 TR / SPARTA 250 TR  |   |   |   |   |   |
| SPARTA 250 S                  |   |   |   |   |   |
| SPARTA 25 / SPARTA 250 T      |   |   |   |   |   |
| SPARTA 381 S                  |   |   |   |   |   |
| SPARTA 381 T                  |   |   |   |   |   |
| SPARTA 441 S                  |   |   | ○   |   |   |
| SPARTA 441 T                  | ○   | ○   | ○   |   |   |
| SPARTA 441 BP                 | ○   | ○   | ○   |   |   |
| BC 241 S                      |   |   |   |   |   |
| BC 241 T                      |   |   |   |   |   |
| BC 270 S                      |   |   |   |   |   |
| BC 270 T                      |   |   |   |   |   |
| BC 300 S                      |   |   |   |   |   |
| BC 300 T                      |   |   |   |   |   |
| BC 241 D                      |   |   |   |   |   |
| BC 300 D                      |   |   |   |   |   |
| BC 350 S                      | ○   | ○   |   |   |   |
| BC 350 T                      | ○   | ○   |   |   |   |
| BC 400 S                      | ○   | ○   | ○   |   |   |
| BC 400 T                      | ○   | ○   | ○   | ○   | ○   |
| 741                           | ○   | ○   | ○   | ○   | ○   |
| 746 S                         |   | ○   | ○   | ●   | ○   |
| 746 T                         |   | ○   | ○   | ●   | ○   |
| 753 T                         |   | ○   | ○   | ●   | ○   |
| 755 MASTER                    |   | ○   | ○   | ●   | ○   |
| BC 530 S / BC 540 S           |   | ○   | ○   | ●   | ○   |
| BC 530 T / BC 540 T           |   | ○   | ○   | ●   | ○   |
| BC 550 MASTER / BC 540 MASTER |   | ○   | ○   | ●   | ○   |
| BCF 430                       |   | ○   | ○   | ○   | ○   |
| 446 BP ERGO                   |   | ○   | ○   | ○   | ○   |
| 453 BP ERGO                   |   | ○   | ○   | ○   | ○   |
| BCF 550 / BCF 540             |   | ○   | ○   | ○   | ○   |

● standard equipment ○ compatible tools



# Accessories - Guards



| Part number                   | Plastic guards             |                            |                         |                         |                         |                                 |                              |                                 | Metal guards            |                                      |   |                              |
|-------------------------------|----------------------------|----------------------------|-------------------------|-------------------------|-------------------------|---------------------------------|------------------------------|---------------------------------|-------------------------|--------------------------------------|---|------------------------------|
|                               |                            |                            |                         |                         |                         |                                 |                              |                                 |                         |                                      |   |                              |
|                               | For 600 W electric trimmer | For 850 W electric trimmer | For BC 241 brushcutters | For BC 270 brushcutters | For SPARTA brushcutters | For BCH-D brushcutters 25/40 cc | For 38/46/53 cc brushcutters | For 25/30/34/38 cc brushcutters | For BC 540 brushcutters | Ø 200 metal guard for 22-tooth blade | Ø 255 metal guard for 60/80-tooth blade | Ø 255 for 60/80-tooth blades |
| TR 61 E                       | •                          |                            |                         |                         |                         |                                 |                              |                                 |                         |                                      |   |                              |
| TR 91 E                       |                            | •                          |                         |                         |                         |                                 |                              |                                 |                         |                                      |   |                              |
| BCH 25 S / BCH 250 S          |                            |                            |                         |                         |                         | •                               |                              |                                 |                         |                                      |   |                              |
| BCH 25 T / BCH 250 T          |                            |                            |                         |                         |                         | •                               |                              |                                 |                         |                                      |   |                              |
| BCH 25 D / BCH 250 D          |                            |                            |                         |                         |                         | •                               |                              |                                 |                         |                                      |   |                              |
| BCH 310 S                     |                            |                            |                         |                         |                         | •                               |                              |                                 |                         |                                      |   |                              |
| BCH 310 T                     |                            |                            |                         |                         |                         | •                               |                              |                                 |                         |                                      |   |                              |
| BCH 310 BP                    |                            |                            |                         |                         |                         | •                               |                              |                                 |                         |                                      |   |                              |
| BCH 400 S                     |                            |                            |                         |                         |                         | •                               |                              |                                 |                         |                                      |   |                              |
| BCH 40 T / BCH 400 T          |                            |                            |                         |                         |                         | •                               |                              |                                 |                         |                                      |   |                              |
| BCH 40 BP / BCH 400 BP        |                            |                            |                         |                         |                         | •                               |                              |                                 |                         |                                      |   |                              |
| BCH 500 S                     |                            |                            |                         |                         |                         | •                               |                              |                                 |                         |                                      |   |                              |
| BCH 50 T / BCH 500 T          |                            |                            |                         |                         |                         | •                               |                              |                                 |                         |                                      |   |                              |
| BCH 500 BP                    |                            |                            |                         |                         |                         | •                               |                              |                                 |                         |                                      |   |                              |
| SPARTA 25 TR / SPARTA 250 TR  |                            |                            |                         |                         | • 61062012              |                                 |                              |                                 |                         |                                      |   |                              |
| SPARTA 250 S                  |                            |                            |                         |                         | •                       |                                 |                              |                                 |                         |                                      |   |                              |
| SPARTA 25 / SPARTA 250 T      |                            |                            |                         |                         | •                       |                                 |                              |                                 |                         |                                      |   |                              |
| SPARTA 381 S                  |                            |                            |                         |                         |                         |                                 | ○                            | •                               |                         |                                      | ○                                       |                              |
| SPARTA 381 T                  |                            |                            |                         |                         |                         |                                 | ○                            | •                               |                         |                                      | ○                                       |                              |
| SPARTA 441 S                  |                            |                            |                         |                         |                         |                                 | ○                            | •                               |                         |                                      | ○                                       |                              |
| SPARTA 441 T                  |                            |                            |                         |                         |                         |                                 | ○                            | •                               |                         |                                      | ○                                       |                              |
| SPARTA 441 BP                 |                            |                            |                         |                         |                         |                                 |                              | •                               |                         |                                      | ○                                       |                              |
| BC 241 S                      |                            |                            | •                       |                         |                         |                                 |                              |                                 |                         |                                      |   |                              |
| BC 241 T                      |                            |                            | •                       |                         |                         |                                 |                              |                                 |                         |                                      |   |                              |
| BC 270 S                      |                            |                            | ○                       | •                       |                         |                                 |                              |                                 |                         |                                      |   |                              |
| BC 270 T                      |                            |                            | ○                       | •                       |                         |                                 |                              |                                 |                         |                                      |   |                              |
| BC 300 S                      |                            |                            |                         |                         |                         |                                 |                              | •                               |                         |                                      |   |                              |
| BC 300 T                      |                            |                            |                         |                         |                         |                                 |                              | •                               |                         |                                      |   |                              |
| BC 241 D                      |                            |                            | •                       |                         |                         |                                 |                              |                                 |                         |                                      |   |                              |
| BC 300 D                      |                            |                            | •                       |                         |                         |                                 |                              | •                               |                         |                                      |   |                              |
| BC 350 S                      |                            |                            |                         |                         |                         |                                 | •                            |                                 |                         |                                      | ○                                       |                              |
| BC 350 T                      |                            |                            |                         |                         |                         |                                 | •                            |                                 |                         |                                      | ○                                       |                              |
| BC 400 S                      |                            |                            |                         |                         |                         |                                 | •                            |                                 |                         | ○                                    | ○                                       |                              |
| BC 400 T                      |                            |                            |                         |                         |                         |                                 | •                            |                                 |                         | ○                                    | ○                                       |                              |
| 741                           |                            |                            |                         |                         |                         |                                 | •                            |                                 |                         | ○                                    | ○                                       |                              |
| 746 S                         |                            |                            |                         |                         |                         |                                 | •                            |                                 |                         | ○                                    | ○                                       |                              |
| 746 T                         |                            |                            |                         |                         |                         |                                 | •                            |                                 |                         | ○                                    | ○                                       |                              |
| 753 T                         |                            |                            |                         |                         |                         |                                 | •                            |                                 |                         | ○                                    | ○                                       |                              |
| 755 MASTER                    |                            |                            |                         |                         |                         |                                 | •                            |                                 |                         | ○                                    | ○                                       |                              |
| BC 530 S / BC 540 S           |                            |                            |                         |                         |                         |                                 | •                            |                                 | • 1                     | ○ 2                                  | ○ 2                                     | ○ 1                          |
| BC 530 T / BC 540 T           |                            |                            |                         |                         |                         |                                 | •                            |                                 | • 1                     | ○ 2                                  | ○ 2                                     | ○ 1                          |
| BC 550 MASTER / BC 540 MASTER |                            |                            |                         |                         |                         |                                 | •                            |                                 | • 1                     | ○ 2                                  | ○ 2                                     | ○ 1                          |
| BCF 430                       |                            |                            |                         |                         |                         |                                 |                              | •                               |                         |                                      | ○                                       |                              |
| 446 BP ERGO                   |                            |                            |                         |                         |                         |                                 |                              | •                               |                         |                                      | ○                                       |                              |
| 453 BP ERGO                   |                            |                            |                         |                         |                         |                                 |                              | •                               |                         |                                      | ○                                       |                              |
| BCF 550 / BCF 540             |                            |                            |                         |                         |                         |                                 |                              | •                               |                         |                                      | ○                                       |                              |

• standard equipment    • compatible tools    1 only for BC 540 S, BC 540 T, BC 540 MASTER    2 only for BC 530 S, BC 530 T, BC 550 MASTER

# Accessories - Harnesses



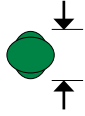
| Part number                   | Single harness |                   | Harness with cushion |                        | Double harness |                           | Professional harness |
|-------------------------------|----------------|-------------------|----------------------|------------------------|----------------|---------------------------|----------------------|
|                               |                |                   |                      |                        |                |                           |                      |
|                               | 4160463AR      | 60010143R         | 4179164R             | 4179172R               | 61200106R      | 63050018AR                | 63070003AR           |
|                               | with snap hook | without snap hook | with cushion         | with "comfort" cushion | double         | double with quick release | professional         |
| TR 61 E                       |                | ○                 | ○                    | ○                      |                |                           |                      |
| TR 91 E                       |                | ●                 | ○                    | ○                      |                |                           |                      |
| BCH 25 S / BCH 250 S          | ●              | ○                 | ○                    | ○                      |                |                           |                      |
| BCH 25 T / BCH 250 T          | ●              | ○                 | ○                    | ○                      | ○              | ○                         |                      |
| BCH 25 D / BCH 250 D          | ●              | ○                 | ○                    | ○                      |                |                           |                      |
| BCH 310 S                     | ●              | ○                 | ○                    | ○                      |                |                           |                      |
| BCH 310 T                     | ●              | ○                 | ○                    | ○                      | ○              | ○                         |                      |
| BCH 310 BP                    |                |                   |                      |                        |                |                           |                      |
| BCH 400 S                     | ●              | ○                 | ○                    | ○                      |                |                           |                      |
| BCH 40 T / BCH 400 T          |                |                   | ○                    | ○                      | ● BF000020R    | ○                         | ○                    |
| BCH 40 BP / BCH 400 BP        |                |                   |                      |                        |                |                           |                      |
| BCH 500 S                     | ●              | ○                 | ○                    | ○                      |                |                           |                      |
| BCH 50 T / BCH 500 T          |                |                   | ○                    | ○                      | ○              | ○                         | ●                    |
| BCH 500 BP                    |                |                   |                      |                        |                |                           |                      |
| SPARTA 25 TR / SPARTA 250 TR  | ○              | ○                 | ○                    | ○                      |                |                           |                      |
| SPARTA 250 S                  | ●              | ○                 | ○                    | ○                      |                |                           |                      |
| SPARTA 25 / SPARTA 250 T      | ●              | ○                 | ○                    | ○                      | ○              | ○                         |                      |
| SPARTA 381 S                  | ●              | ○                 | ○                    | ○                      |                |                           |                      |
| SPARTA 381 T                  |                |                   |                      |                        | ●              | ○                         | ○                    |
| SPARTA 441 S                  | ●              | ○                 | ○                    | ○                      |                |                           |                      |
| SPARTA 441 T                  |                |                   |                      |                        | ●              | ○                         | ○                    |
| SPARTA 441 BP                 |                |                   |                      |                        |                |                           |                      |
| BC 241 S                      | ●              | ○                 | ○                    | ○                      |                |                           |                      |
| BC 241 T                      | ○              | ○                 | ●                    | ○                      | ○              | ○                         | ○                    |
| BC 270 S                      | ●              | ○                 | ○                    | ○                      |                |                           |                      |
| BC 270 T                      | ○              | ○                 | ●                    | ○                      | ○              | ○                         | ○                    |
| BC 300 S                      | ●              | ○                 | ○                    | ○                      |                |                           |                      |
| BC 300 T                      |                |                   | ●                    | ○                      | ○              | ○                         | ○                    |
| BC 241 D                      | ●              | ○                 | ○                    | ○                      |                |                           |                      |
| BC 300 D                      | ●              | ○                 | ○                    | ○                      |                |                           |                      |
| BC 350 S                      | ●              | ○                 | ○                    | ○                      |                |                           |                      |
| BC 350 T                      |                |                   | ○                    | ○                      | ○              | ○                         | ●                    |
| BC 400 S                      | ●              | ○                 | ○                    | ○                      |                |                           |                      |
| BC 400 T                      |                |                   | ○                    | ○                      | ○              | ○                         | ●                    |
| 741                           |                |                   | ○                    | ○                      | ●              | ○                         | ○                    |
| 746 S                         | ●              | ○                 | ○                    | ○                      |                |                           |                      |
| 746 T                         |                |                   |                      |                        |                |                           | ●                    |
| 753 T                         |                |                   |                      |                        |                |                           | ●                    |
| 755 MASTER                    |                |                   |                      |                        |                |                           | ●                    |
| BC 530 S / BC 540 S           | ●              | ○                 | ○                    | ○                      |                |                           |                      |
| BC 530 T / BC 540 T           |                |                   |                      |                        |                |                           | ●                    |
| BC 550 MASTER / BC 540 MASTER |                |                   |                      |                        |                |                           | ●                    |
| BCF 430                       |                |                   |                      |                        |                |                           |                      |
| 446 BP ERGO                   |                |                   |                      |                        |                |                           |                      |
| 453 BP ERGO                   |                |                   |                      |                        |                |                           |                      |
| BCF 550 / BCF 540             |                |                   |                      |                        |                |                           |                      |

● standard equipment ○ compatible tools

# Accessories - Strimmer lines



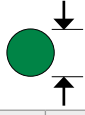
| Line | Type | Diameter |        | Length (m) | Mini blister | Length (m) | Blister pack<br>1 lb-0.450 kg | Length (m) | Spool<br>4 lbs-1.8 kg | Length (m) | Spool<br>17.64 lbs-8 kg |
|------|------|----------|--------|------------|--------------|------------|-------------------------------|------------|-----------------------|------------|-------------------------|
|      |      | mm       | inches |            | Code         |            | Code                          |            | Code                  |            | Code                    |



High quality line composed of a blend of patented raw materials, with aerodynamic spiral cross-section. Slices through the air with minimal resistance, leading to reduced noise and lower vibration levels. Especially suitable for battery-powered or mains machines, this line reduces power absorption whilst ensuring high cutting speed and long life of both the motor and battery.

**Technical specifications:** ideal for grass and weeds.

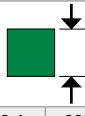
|        |        |     |       |    |          |     |          |     |          |  |  |
|--------|--------|-----|-------|----|----------|-----|----------|-----|----------|--|--|
| Spiral | spiral | 2.0 | .080" | 15 | 63040318 | 126 | 63040319 |     |          |  |  |
|        |        | 2.4 | .095" | 15 | 63040320 | 78  | 63040321 | 351 | 63040322 |  |  |
|        |        | 3.0 | .119" | 15 | 63040323 | 46  | 63040324 |     |          |  |  |



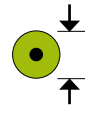
Top quality line made of co-polymers that assure the maximum resistance to wear and breakage.

**Technical specifications:** clean and precise cut; ideal for grass, weeds and scrub; high cutting speed.

|           |       |     |       |    |           |    |           |     |           |      |           |
|-----------|-------|-----|-------|----|-----------|----|-----------|-----|-----------|------|-----------|
| Greenline | round | 1.6 | .065" | 15 | 63040224A |    |           |     |           |      |           |
|           |       | 2.0 | .080" | 15 | 63040225A |    |           |     |           |      |           |
|           |       | 2.4 | .095" | 15 | 63040226A | 87 | 63040104B | 349 | 63040107A | 1560 | 63042013A |
|           |       | 2.7 | .106" | 15 | 63040182A | 72 | 63040181A | 280 | 63040240  | 1232 | 63042006A |
|           |       | 3.0 | .119" | 15 | 63040227A | 56 | 63040105C | 223 | 63040108A | 1000 | 63042008A |
|           |       | 3.5 | .139" | 12 | 63040228A | 41 | 63040174B | 164 | 63040175A | 736  | 63042001A |
|           |       | 4.0 | .157" |    |           | 31 | 63040256A |     |           |      |           |



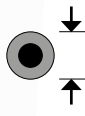
|           |        |     |       |    |           |    |           |     |           |     |           |
|-----------|--------|-----|-------|----|-----------|----|-----------|-----|-----------|-----|-----------|
| Greenline | square | 2.4 | .095" | 15 | 63040229A | 69 | 63040235A |     |           |     |           |
|           |        | 2.7 | .106" | 15 | 63040277A | 56 | 63040276A | 217 | 63040279  | 968 | 63042007A |
|           |        | 3.0 | .119" | 15 | 63040278A | 44 | 63040206B | 175 | 63040204A | 784 | 63042009A |
|           |        | 3.5 | .139" |    |           | 32 | 63040201B | 129 | 63040273  | 576 | 63042016A |



Professional line composed of two materials that provide high flexibility elevated breaking strength and optimal toughness for high abrasion resistance. More than 30% longer-lasting than conventional lines.

**Technical specifications:** ideal for grass, weeds, scrub and brushwood, even in the vicinity of stones and walls; high cutting speed.

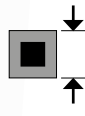
|       |       |     |       |    |           |    |           |     |          |      |           |
|-------|-------|-----|-------|----|-----------|----|-----------|-----|----------|------|-----------|
| First | round | 2.4 | .095" | 15 | 63040231A | 87 | 63040238A |     |          |      |           |
|       |       | 3.0 | .119" | 15 | 63040280A | 56 | 63040138B | 223 | 63040271 | 1000 | 63042012A |
|       |       | 3.5 | .139" | 12 | 63040288A | 41 | 63040140B | 164 | 63040266 | 736  | 63042015A |
|       |       | 4.0 | .157" |    |           | 31 | 63040258A | 123 | 63040260 | 560  | 63042010A |



Professional line that guarantees the maximum performance in terms of resistant to abrasion, breakage and sticking; the line has a double layer cross section: the core assures exceptionally high breaking resistance, while the outer sheaf provides wear resistance.

**Technical specifications:** ideal for grass, weeds, scrub and brushwood, even in the vicinity of stones and walls; high cutting speed.

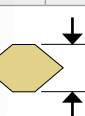
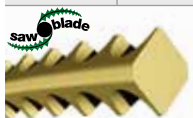
|          |       |     |       |  |  |    |           |     |            |      |           |
|----------|-------|-----|-------|--|--|----|-----------|-----|------------|------|-----------|
| Titanium | round | 3.0 | .119" |  |  | 56 | 63040208B | 168 | 63040212A* | 1000 | 63042003A |
|          |       | 3.5 | .139" |  |  | 41 | 63040209B | 123 | 63040213A* | 736  | 63042004A |



Professional line with an innovative profile that ensures the maximum cutting performance and top-of-the-range durability of up to 40% longer than conventional lines. Double layer cross section: the core provides very high breakage resistance, while the outer sheath imparts very high wear resistance. Excellent weld resistance to temperatures of up to 280°C.

**Technical specifications:** ideal for grass, weeds, scrub and brushwood, even in the vicinity of stones and walls; high cutting speed.  
\* Titanium packaging in rolls, weighs 3 lbs – 1.35 kg

|            |                 |     |       |    |           |    |           |     |          |     |           |
|------------|-----------------|-----|-------|----|-----------|----|-----------|-----|----------|-----|-----------|
| Platin-Cut | serrated square | 2.7 | .106" | 15 | 63040234A | 57 | 63040242A |     |          |     |           |
|            |                 | 3.0 | .119" |    |           | 44 | 63040244A | 175 | 63040246 |     |           |
|            |                 | 3.5 | .139" |    |           | 32 | 63040249A | 128 | 63040252 | 632 | 63042002A |
|            |                 | 4.0 | .157" |    |           | 25 | 63040262A | 99  | 63040264 |     |           |



Innovative professional line that guarantees the utmost flexibility and abrasion resistance. Reinforced sawtooth profile for the maximum cutting performance.

**Technical specifications:** clean and precise cut; ideal for scrub, brushwood and undergrowth with diameters up to 12 mm; high cutting speed; quieter than conventional line and safer and more practical than a conventional steel blade.

|                |          |     |       |  |  |    |           |     |          |  |  |
|----------------|----------|-----|-------|--|--|----|-----------|-----|----------|--|--|
| Saw-Blade Gold | sawtooth | 3.0 | .139" |  |  | 37 | 63040248B |     |          |  |  |
|                |          | 3.5 | .157" |  |  | 27 | 63040254B | 143 | 63040275 |  |  |





# Lawnmowers for any grassed area, plus bespoke solutions.

## Technology and comfort

**Oleo-Mac** offers a range of machines for mowing different types of grassed areas. The push-type lawnmower was developed for use in confined spaces, where the agility of the machine is more important; in contrast propulsion-type lawnmowers are more suitable for the maintenance of larger size lawns. Our models are diversified also in terms of their technical features so they can meet all possible requirements: cutting height can be independently adjusted on each wheel or adjusted via a centralised control, starting can be manual or electric, and motive power can be provided by a battery, petrol engine or mains power cable. The professional lawnmowers are distinguished by their superior productivity on larger size areas, including irregular terrain, thanks to the steel transmission and front bumper, aluminium wheels, and reinforced deck.



Practical, lever-operated cutting height adjustment system.



Large-size wheels, ideal for even the roughest terrain.



4-cutting device: cutting system that includes mulching, collection and side discharge as standard with deflector for rear discharge.



Metal wheels: maximum strength, even when tackling the most demanding jobs.



Professional grade 3-speed transmission to modulate the ground speed to suit the type of work and the terrain.



The full bag indicator alerts the operator when the grass catcher needs emptying, thus eliminating constant stops to check the level and preventing spillage caused by overfilling.





# Lawnmowers









# K series / COMFORT PLUS series compact



Maintenance of the open spaces around your home calls for versatile and practical tools, able to provide durable service and withstand prolonged use over time. The electric lawnmowers are ideal for looking after small and medium size areas. These mowers work efficiently in gardens and grassed areas, allowing simple, functional and low noise grass cutting. Unlike petrol engine models, electric lawnmowers provide a threefold advantage: no need for top-ups, zero pollutant emissions and major reduction in noise levels.



Independent cutting height adjustment on each wheel.



Blade operated by a practical lever on the handlebars.



The aluminium deck imparts greater strength and ruggedness to this model.



**K 35 P**



**K 40 P**



**G 44 PE COMFORT PLUS**



**G 48 PE COMFORT PLUS**

|                         | K 35 P                      | K 40 P                      | G 44 PE COMFORT PLUS        | G 48 PE COMFORT PLUS        |
|-------------------------|-----------------------------|-----------------------------|-----------------------------|-----------------------------|
| Deck                    | ABS                         | ABS                         | steel                       | steel                       |
| Electric motor power    | 1.1 kW                      | 1.3 kW                      | 1.5 kW                      | 1.6 kW                      |
| Cutting width           | 33 cm                       | 38 cm                       | 41 cm                       | 46 cm                       |
| Propulsion              | push-type                   | push-type                   | push-type                   | push-type                   |
| Cutting adjustment      | independent                 | independent                 | independent                 | independent                 |
| Cutting height          | 20-36-52 mm                 | 28-44-60 mm                 | from 28 to 75 mm            | from 28 to 75 mm            |
| Grass box capacity      | 25 L                        | 40 L                        | 60 L                        | 60 L                        |
| Mulching/Side discharge | not available/not available | not available/not available | not available/not available | not available/not available |
| Weight                  | 12.2 kg                     | 15.0 kg                     | 21.0 kg                     | 24.0 kg                     |



# COMFORT series push-type and self-propelled

**COMFORT** series lawnmowers are an effective solution for home users who need to keep small areas in trim and are looking for petrol engine models that are manoeuvrable and easy to use.



The steel deck imparts greater strength and ruggedness to this model.



EMAK 4-stroke engines, designed using advanced technology that guarantees easy starting and optimum performance, reliability and durability.



Rugged and ergonomic plastic levers completely embracing the handlebar ensure a comfortable and positive grip.



Innovative design wheels mounted on bearings ensure smooth movement of the machine.



Home Plus 800-1000 m<sup>2</sup>

Home Plus 800-1000 m<sup>2</sup>

Home Plus 1000-1400 m<sup>2</sup>

**G 44 PK COMFORT**

**G 44 TK COMFORT**

**G 48 PK COMFORT**

|                         | G 44 PK COMFORT             | G 44 TK COMFORT             | G 48 PK COMFORT        |
|-------------------------|-----------------------------|-----------------------------|------------------------|
| Deck                    | steel                       | steel                       | steel                  |
| Displacement            | 123 cm <sup>3</sup>         | 123 cm <sup>3</sup>         | 123 cm <sup>3</sup>    |
| Engine make/model       | Emak K 450 OHV              | Emak K 450 OHV              | Emak K 450 OHV         |
| Cutting width           | 41 cm                       | 41 cm                       | 41 cm                  |
| Propulsion              | push-type                   | self-propelled (3.6 km/h)   | push-type              |
| Cutting adjustment      | independent                 | central                     | independent            |
| Cutting height          | from 28 to 75 mm            | from 28 to 75 mm            | from 28 to 75 mm       |
| Grass box capacity      | 60 L                        | 60 L                        | 60 L                   |
| Mulching/Side discharge | not available/not available | not available/not available | optional/not available |
| Weight                  | 24.0 kg                     | 27.4 kg                     | 31.5 kg                |

# COMFORT PLUS series push-type



Push-type lawnmowers are an excellent solution for home users dealing with maintenance of grassed areas no larger than 1,400 m<sup>2</sup> in size. The **COMFORT PLUS** series of lawnmowers was developed with special attention focused on ergonomics and functional styling. The steel deck imparts greater strength and ruggedness to this model.



Strong and versatile 70 L capacity plastic and fabric grass catcher (assembled without tools) with full-bag indicator.



Innovative design wheels mounted on bearings ensure smooth movement of the machine.



Independent cutting height adjustment on each wheel.



Optional mulching kit: the grass clippings are broken down into fine particles and released back onto the turf to keep the lawn clean and uniform after each cut.

**G 48/66110828R**



Home Plus 800-1000 m<sup>2</sup>

Home Plus 800-1000 m<sup>2</sup>

Home Plus 1000-1400 m<sup>2</sup>

Home Plus 1000-1400 m<sup>2</sup>

**G 44 PB COMFORT PLUS**

**G 44 PK COMFORT PLUS**

**G 48 PK COMFORT PLUS**

**G 48 PBQ COMFORT PLUS**

|                         | G 44 PB COMFORT PLUS              | G 44 PK COMFORT PLUS        | G 48 PK COMFORT PLUS   | G 48 PBQ COMFORT PLUS             |
|-------------------------|-----------------------------------|-----------------------------|------------------------|-----------------------------------|
| Deck                    | steel                             | steel                       | steel                  | steel                             |
| Displacement            | 125 cm <sup>3</sup>               | 139 cm <sup>3</sup>         | 139 cm <sup>3</sup>    | 140 cm <sup>3</sup>               |
| Engine make/model       | Briggs & Stratton 450E OHV series | Emak K 605 OHV              | Emak K 605 OHV         | Briggs & Stratton 550E OHV series |
| Cutting width           | 41 cm                             | 41 cm                       | 46 cm                  | 46 cm                             |
| Propulsion              | push-type                         | push-type                   | push-type              | push-type                         |
| Cutting adjustment      | independent                       | independent                 | independent            | independent                       |
| Cutting height          | from 28 to 75 mm                  | from 28 to 75 mm            | from 28 to 75 mm       | from 28 to 75 mm                  |
| Grass box capacity      | 70 L                              | 70 L                        | 70 L                   | 70 L                              |
| Mulching/Side discharge | not available/not available       | not available/not available | optional/not available | optional/not available            |
| Weight                  | 23.4 kg                           | 24.0 kg                     | 25.4 kg                | 24.4 kg                           |

Available while stocks last

# COMFORT PLUS series self-propelled

Self-propelled lawnmowers are the most suitable option for working on sloping lawns with overgrown areas. The main characteristic of self-propelled lawnmowers is the coupling between the wheels and the engine or motor. Thanks to this solution, the machine is accompanied rather than pushed and cutting performance is optimised. The **COMFORT PLUS** series, with single speed propulsion system, is the ideal solution for larger areas and for uneven or gently sloping ground. Also available: **TKE** models with battery starting for smooth and effortless start-up.



The steel deck imparts greater strength and ruggedness to this model.



Rugged and ergonomic plastic levers completely embracing the handlebar ensure a comfortable and positive grip.



The mulching blade supplied as standard and the streamlined deck ensure optimal cutting efficiency and perfect feed to the grass catcher.



Strong and versatile 70 L capacity plastic and fabric grass catcher (assembled without tools) with full-bag indicator.



**G 44 TK COMFORT PLUS**



**G 48 TK COMFORT PLUS**

|                         | G 44 TK COMFORT PLUS        | G 48 TK COMFORT PLUS      |
|-------------------------|-----------------------------|---------------------------|
| Deck                    | steel                       | steel                     |
| Displacement            | 139 cm <sup>3</sup>         | 139 cm <sup>3</sup>       |
| Engine make/model       | Emak K 605 OHV              | Emak K 605 OHV            |
| Cutting width           | 41 cm                       | 46 cm                     |
| Propulsion (speed)      | self-propelled (3.6 km/h)   | self-propelled (3.6 km/h) |
| Cutting adjustment      | central                     | central                   |
| Cutting height          | from 28 to 75 mm            | from 28 to 75 mm          |
| Grass box capacity      | 70 L                        | 70 L                      |
| Mulching/Side discharge | not available/not available | optional/not available    |
| Weight                  | 28.3 kg                     | 30.4 kg                   |



# COMFORT PLUS series self-propelled



Practical, lever-operated cutting height adjustment system.



Innovative design wheels mounted on bearings ensure smooth movement of the machine.



Optional mulching kit: the grass clippings are broken down into fine particles and released back onto the turf to keep the lawn clean and uniform after each cut.

**G 48/66110828R**



**Home Plus** 1400-1800 m<sup>2</sup> **IK-GO**

**Home Plus** 1400-1800 m<sup>2</sup>

**Home Plus** 1400-1800 m<sup>2</sup> **START**

## G 48 TKE COMFORT PLUS G 48 TBQ COMFORT PLUS G 48 TBX COMFORT PLUS

|                         |  |                                   |                                     |
|-------------------------|--|-----------------------------------|-------------------------------------|
| Deck                    | steel  | steel                             | steel                               |
| Displacement            | 166 cm <sup>3</sup>                                  | 140 cm <sup>3</sup>               | 150 cm <sup>3</sup>                 |
| Engine make/model       | Emak K 655i OHV<br>battery powered electric starting | Briggs & Stratton 550E OHV series | Briggs & Stratton 625EXi OHV series |
| Cutting width           | 46 cm  | 46 cm                             | 46 cm                               |
| Propulsion (speed)      | self-propelled (3.6 km/h)                            | self-propelled (3.6 km/h)         | self-propelled (3.6 km/h)           |
| Cutting adjustment      | central  | central                           | central                             |
| Cutting height          | from 28 to 75 mm                                     | from 28 to 75 mm                  | from 28 to 75 mm                    |
| Grass box capacity      | 70 L   | 70 L                              | 70 L                                |
| Mulching/Side discharge | optional/not available                               | optional/not available            | optional/not available              |
| Weight                  | 31.5 kg  | 28.4 kg                           | 30.6 kg                             |
|                         |  | Available while stocks last       |                                     |



# COMFORT PLUS series self-propelled



**TKE** models with Emak engine and rechargeable battery-powered electric starting ensure effortless starting every time. The engine is also equipped with recoil starter.

Optional mulching kit: the grass clippings are broken down into fine particles and released back onto the turf to keep the lawn clean and uniform after each cut.

**G 53/66071059R**



| G 53 TK COMFORT PLUS | G 53 TKE COMFORT PLUS | G 53 TBX COMFORT PLUS |
|----------------------|-----------------------|-----------------------|
|----------------------|-----------------------|-----------------------|

|                         |                           |  |                                     |
|-------------------------|---------------------------|--|-------------------------------------|
| Deck                    | steel                     | steel  | steel                               |
| Displacement            | 166 cm <sup>3</sup>       | 166 cm <sup>3</sup>                                  | 150 cm <sup>3</sup>                 |
| Engine make/model       | Emak K 655 OHV            | Emak K 655i OHV<br>battery powered electric starting | Briggs & Stratton 625EXi OHV series |
| Cutting width           | 51 cm                     | 51 cm  | 51 cm                               |
| Propulsion (speed)      | self-propelled (3.6 km/h) | self-propelled (3.6 km/h)                            | self-propelled (3.6 km/h)           |
| Cutting adjustment      | central                   | central  | central                             |
| Cutting height          | from 28 to 75 mm          | from 28 to 75 mm                                     | from 28 to 75 mm                    |
| Grass box capacity      | 70 L                      | 70 L   | 70 L                                |
| Mulching/Side discharge | optional/not available    | optional/not available                               | optional/not available              |
| Weight                  | 31.8 kg                   | 32.9 kg  | 31.6 kg                             |

# ALLROAD PLUS 4 series self-propelled



In addition to rear pick-up mode, the **ALLROAD PLUS 4** series includes mulching operation and side discharge as part of the standard package. The single-speed propulsion system or propulsion with variable speed drive (model **VK**) combined with the large size of the wheels, make for smoother progress, even over uneven ground. Also available: **TBXE** and **TKE** models with battery starting for smooth and effortless start-up.



The steel deck imparts greater strength and ruggedness to this model.



Large size wheels (280 mm rear and 200 mm front) with ball bearings for smoother movement and optimal traction on all types of terrain.



"4-cutting device": cutting system that includes mulching, collection and side discharge as standard, with deflector for rear discharge.



Mulching kit as standard: the grass clippings are broken down into fine particles and released back onto the turf to keep the lawn clean and uniform after each cut.

**G 48/66110828R**



Home Plus 1400-1800 m<sup>2</sup> 4 Series

Home Plus 1400-1800 m<sup>2</sup> IK-GO 4 Series

## G 48 TK ALLROAD PLUS 4

## G 48 TKE ALLROAD PLUS 4

|                         |                           |  |
|-------------------------|---------------------------|--|
| Deck                    | steel                     | steel  |
| Displacement            | 166 cm <sup>3</sup>       | 166 cm <sup>3</sup>                                  |
| Engine make/model       | Emak K 655 OHV            | Emak K 655i OHV<br>battery powered electric starting |
| Cutting width           | 46 cm                     | 46 cm  |
| Propulsion (speed)      | self-propelled (3.6 km/h) | self-propelled (3.6 km/h)                            |
| Cutting adjustment      | central                   | central  |
| Cutting height          | from 28 to 75 mm          | from 28 to 75 mm                                     |
| Grass box capacity      | 70 L                      | 70 L   |
| Mulching/Side discharge | standard/standard         | standard/standard                                    |
| Weight                  | 36.0 kg                   | 36.0 kg  |





# ALLROAD PLUS 4 series self-propelled



Mulching kit as standard: the grass clippings are broken down into fine particles and released back onto the turf to keep the lawn clean and uniform after each cut.

G 48/66110828R

G 53/66071059R



## G 53 TK ALLROAD PLUS 4   G 53 TKE ALLROAD PLUS 4   G 53 TBX ALLROAD PLUS 4

|                         |                           |   |                                     |
|-------------------------|---------------------------|---|-------------------------------------|
| Deck                    | steel                     | steel   | steel                               |
| Displacement            | 196 cm <sup>3</sup>       | 166 cm <sup>3</sup>   | 150 cm <sup>3</sup>                 |
| Engine make/model       | Emak K 805 OHV            | Emak K 655i OHV series<br>battery powered electric starting | Briggs & Stratton 625EXi OHV series |
| Cutting width           | 51 cm                     | 51 cm   | 51 cm                               |
| Propulsion (speed)      | self-propelled (3.6 km/h) | self-propelled (3.6 km/h)                                   | self-propelled (3.6 km/h)           |
| Cutting adjustment      | central                   | central   | central                             |
| Cutting height          | from 28 to 75 mm          | from 28 to 75 mm  | from 28 to 75 mm                    |
| Grass box capacity      | 70 L                      | 70 L  | 70 L                                |
| Mulching/Side discharge | standard/standard         | standard/standard   | standard/standard                   |
| Weight                  | 37.4 kg                   | 39.5 kg   | 34.4 kg                             |



# ALLROAD PLUS 4 series self-propelled



**TBXE** models with Briggs & Stratton engine and rechargeable battery-powered electric starting ensure effortless starting every time.



Model **VK** is equipped with stepless traction control so that ground speed can be adapted continuously to match the needs of the job.



A front bumper with integrated carry handle increases the level of protection against accidental impact.



## G 53 TBXE ALLROAD PLUS 4   G 53 THX ALLROAD PLUS 4   G 53 VK ALLROAD PLUS 4

|                         |   |                           |   |
|-------------------------|---|---------------------------|---|
| Deck                    | steel   | steel                     | steel   |
| Displacement            | 163 cm <sup>3</sup>   | 166 cm <sup>3</sup>       | 196 cm <sup>3</sup>   |
| Engine make/model       | Briggs & Stratton 675 iS OHV series battery powered electric starting | Honda GCVx 170 OHV        | Emak K 805 OHV  |
| Cutting width           | 51 cm   | 51 cm                     | 51 cm   |
| Propulsion (speed)      | self-propelled (3.6 km/h)   | self-propelled (3.6 km/h) | propulsion with variable speed control (from 2.5 to 4.5 km/h) |
| Cutting adjustment      | central   | central                   | central   |
| Cutting height          | from 28 to 75 mm  | from 28 to 75 mm          | from 28 to 75 mm  |
| Grass box capacity      | 70 L  | 70 L                      | 70 L  |
| Mulching/Side discharge | standard/standard   | standard/standard         | standard/standard   |
| Weight                  | 37.0 kg   | 34.0 kg                   | 38.6 kg   |



# ALLROAD ALUMINIUM series self-propelled

The **ALLROAD ALUMINIUM** models are a paradigm of ruggedness: with their 46 or 51 cm deck in 4 mm gauge diecast aluminium, the structure is designed to withstand impact and corrosion. The high capacity mulching blade and the streamlined shape of the deck assure optimal cutting performance and perfect bag filling, while the wheels with shielded ball bearings allow the machine to progress smoothly over all types of terrain.



4 mm gauge diecast aluminium deck: ensures low weight with high strength and excellent corrosion resistance.



Large size IMPACT series wheels (Ø 280 mm rear and Ø 200 mm front) with shielded ball bearings: guarantee of smoother movement and optimal traction on all types of terrain.



Mulching kit as standard: the grass clippings are broken down into fine particles and released back onto the turf to keep the lawn clean and uniform after each cut.

**MAX 48/66090147R**

**MAX 53/66060372R**



**MAX 48 TK ALLROAD ALUMINIUM**

**MAX 53 TK ALLROAD ALUMINIUM**

**MAX 53 TBX ALLROAD ALUMINIUM**

|                         | MAX 48 TK ALLROAD ALUMINIUM | MAX 53 TK ALLROAD ALUMINIUM | MAX 53 TBX ALLROAD ALUMINIUM        |
|-------------------------|-----------------------------|-----------------------------|-------------------------------------|
| Deck                    | aluminium                   | aluminium                   | aluminium                           |
| Displacement            | 166 cm <sup>3</sup>         | 196 cm <sup>3</sup>         | 163 cm <sup>3</sup>                 |
| Engine make/model       | Emak K 655 OHV              | Emak K 805 OHV              | Briggs & Stratton 675EXi OHV series |
| Cutting width           | 46 cm                       | 51 cm                       | 51 cm                               |
| Propulsion (speed)      | self-propelled (3.6 km/h)   | self-propelled (3.6 km/h)   | self-propelled (3.6 km/h)           |
| Cutting adjustment      | central                     | central                     | central                             |
| Cutting height          | from 28 to 75 mm            | from 28 to 75 mm            | from 28 to 75 mm                    |
| Grass box capacity      | 80 L                        | 80 L                        | 80 L                                |
| Mulching/Side discharge | standard/not available      | standard/not available      | standard/not available              |
| Weight                  | 41.5 kg                     | 42.6 kg                     | 40.9 kg                             |

# ALLROAD ALUMINIUM series self-propelled



Model **VBD** is equipped with stepless traction control so that ground speed can be adapted continuously to match the needs of the job.



Centralised cutting height adjustment device controlled by a rugged and ergonomic handle: offers 5 different height positions that can be selected easily and effortlessly from a minimum of 28 mm to a maximum of 75 mm.



SHARP START



## MAX 53 VBD ALLROAD ALUMINIUM    MAX 53 THX ALLROAD ALUMINIUM

|                         |   |                           |
|-------------------------|---|---------------------------|
| Deck                    | aluminium   | aluminium                 |
| Displacement            | 161 cm <sup>3</sup>   | 166 cm <sup>3</sup>       |
| Engine make/model       | Briggs & Stratton 750EX OHV series                          | Honda GCVx 170 OHV        |
| Cutting width           | 51 cm   | 51 cm                     |
| Propulsion (speed)      | self-propelled, variable speed drive (from 2.5 to 4.5 km/h) | self-propelled (3.6 km/h) |
| Cutting adjustment      | central   | central                   |
| Cutting height          | from 28 to 75 mm  | from 28 to 75 mm          |
| Grass box capacity      | 80 L  | 80 L                      |
| Mulching/Side discharge | standard/not available                                      | standard/not available    |
| Weight                  | 45.5 kg   | 41.6 kg                   |





# ALUMINIUM PRO series self-propelled

These machines are ideal for large size spaces of more than 2,000 m<sup>2</sup>, also for continuous use; they ensure unvarying quality standards through time thanks to their technical solutions including the steel transmission, aluminium wheels and reinforced deck. The ergonomic two-piece handlebar allows easy manoeuvring of the mower. The cutting height adjustment system (handy knob in an easily accessible central position) and the plastic and fabric grass catcher (with full bag indicator) are just two of the solutions adopted for the maximum operator comfort.



4 mm gauge diecast aluminium deck: ensures low weight with high strength and excellent corrosion resistance.



Front bumper with integrated carry handle: increases the level of protection against accidental impact.

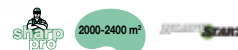


Metal wheels: maximum strength, even when tackling the most demanding jobs.



Mulching kit as standard: the grass clippings are broken down into fine particles and released back onto the turf to keep the lawn clean and uniform after each cut.

**MAX 53/66060372R**



## MAX 53 TK ALUMINIUM PRO

## MAX 53 VBD ALUMINIUM PRO

|                         |                           |   |
|-------------------------|---------------------------|---|
| Deck                    | aluminium                 | aluminium   |
| Displacement            | 196 cm <sup>3</sup>       | 161 cm <sup>3</sup>   |
| Engine make/model       | Emak K 805 OHV            | Briggs & Stratton 750EX OHV series                          |
| Cutting width           | 51 cm                     | 51 cm   |
| Propulsion (speed)      | self-propelled (3.4 km/h) | self-propelled, variable speed drive (from 2.5 to 4.5 km/h) |
| Cutting adjustment      | central                   | central   |
| Cutting height          | from 30 to 70 mm          | from 30 to 70 mm  |
| Grass box capacity      | 80 L                      | 80 L  |
| Mulching/Side discharge | standard/not available    | standard/not available                                      |
| Weight                  | 50.1 kg                   | 49.4 kg   |



# LUX 55 series self-propelled



Extremely rugged and with high load capacity, even on wet grass, these models offer all the features required by groundcare professionals (professional-grade aluminium transmission, 80 l grass catcher and large diameter aluminium wheels). Ideal for large areas (exceeding 2,300 m<sup>2</sup>) and continuous or intensive use, these models offer exceptional reliability and consistently first-rate performance over time.



Generously sized protections at the front and sides of the aluminium deck.



Centralised cutting height adjustment by means of a practical lever with preset positions.



Optional mulching kit: the grass clippings are broken down into fine particles and released back onto the turf to keep the lawn clean and uniform after each cut (bade + blade hub + plug).

**LUX 55/8203502AR**



**LUX 55 TBD**

**LUX 55 TBI**

**LUX 55 HXF**

|                         | LUX 55 TBD                         | LUX 55 TBI  | LUX 55 HXF  |
|-------------------------|------------------------------------|---|---|
| Deck                    | aluminium                          | aluminium   | aluminium   |
| Displacement            | 161 cm <sup>3</sup>                | 190 cm <sup>3</sup>   | 163 cm <sup>3</sup>   |
| Engine make/model       | Briggs & Stratton 750EX OHV series | Briggs & Stratton 850PXi OHV series   | Honda GXV 160 OHV   |
| Cutting width           | 53 cm                              | 53 cm   | 53 cm   |
| Propulsion (speed)      | self-propelled (3.6 km/h)          | 3 speeds<br>(1 <sup>a</sup> : 2.2 – 2 <sup>a</sup> : 3.6 – 3 <sup>a</sup> : 4.5 km/h) | 3 speeds<br>(1 <sup>a</sup> : 2.2 – 2 <sup>a</sup> : 3.6 – 3 <sup>a</sup> : 4.5 km/h) |
| Cutting adjustment      | central                            | central   | central   |
| Cutting height          | from 20 to 75 mm                   | from 20 to 75 mm  | from 20 to 75 mm  |
| Grass box capacity      | 80 L                               | 80 L  | 80 L  |
| Mulching/Side discharge | optional/not available             | optional/not available  | optional/not available  |
| Weight                  | 53.3 kg                            | 51.3 kg   | 63.3 kg   |



To take the stress out of gardening, there is now an intelligent solution that works fully autonomously.

## Technology and comfort

Robot mowers are a new garden care solution that is both practical and smart. No need to cut the lawn and dispose of grass clippings thanks to the double-blade cutting technology, grass is finely chopped and deposited on the ground as natural fertiliser. The robots work fully autonomously: once installed, there is no need for further intervention, they return to base independently when recharging is needed. Reduced energy consumption, zero CO<sub>2</sub> emissions. No noise disturbing the surrounding environment and neighbourhood.



The robot automatically detects narrow passages and finds its way even through the narrowest of channels, instead of getting lost or stuck and running out of battery power.



Consistent cutting results over the entire lawn thanks to the possibility of mowing from five different remote start points along the boundary wire, beginning at the charging station.



The digital LED display indicates what the robot is doing and enables faults to be easily eliminated by following the troubleshooting instructions in the app.



Spiral cutting can be used when mowing an area with tall grass: the robot keeps working in this mode until the grass is of equal height.



The **IPX5** rating (degree of protection against water) makes the robots a durable and reliable tool because they can be used even in the most difficult weather conditions. The cutting attachment can be washed directly.



Perceived sound level less than 65 dB(A): enables the robot to work quietly without disturbing you and your neighbours.

# Robot mowers





# Up to 1000 m<sup>2</sup>

The **R 500i** and **R 1000i** robot mowers are the optimal solution for compact gardens and those with obstacles, capable of managing areas up to 500 m<sup>2</sup> and 1,000 m<sup>2</sup> respectively. The extremely compact profile and low weight enable them to cut and reach even the most hidden away areas. **Flex Cut** mode detects tall grass when cutting and slows down the travel speed accordingly, rather than speeding up with the disc blade locked, thereby ensuring an even cut.



The robot mower can be controlled directly from a smartphone: receive notifications in the event of problems and send start/park commands.



The Robot mower can be placed in the vertical position for storage or for cleaning the cutting attachment.



Ultrasonic obstacle detection to increase the performance and safety of the robot mower; the sensor (optional) can detect obstacles 10 cm wide and 15-20 cm high in front of the machine.

**67040043**



The robot mower's firmware is easy to update using OTA (over-the-air) technology.



Pair of metal wheels.  
**67040045** (R 500i, R1000i)  
**67040046** (R 2000i)



**Only available  
in certain markets**

**R 500i**

**R 1000i**

|                                      |                              |                                |
|--------------------------------------|------------------------------|--------------------------------|
| Battery                              | Bi 220 Li-Ion (2.0 Ah/20 V)  | Bi 250 Li-Ion (5.0 Ah/20 V)    |
| Charging time                        | 60 min                       | 60 min                         |
| Operating time                       | 40 min                       | 100 min                        |
| Cutting system motor speed           | 3.200 rpm                    | 3.200 rpm                      |
| Guaranteed sound power level         | 61 dB(A)                     | 61 dB(A)                       |
| Surface area/max. gradient           | max 500 m <sup>2</sup> /36 % | max 1,000 m <sup>2</sup> /36 % |
| Cutting height                       | 30 - 40 - 50 - 60 mm         | 30 - 40 - 50 - 60 mm           |
| Cutting diameter                     | 18 cm                        | 18 cm                          |
| Dimensions (length x width x height) | 562x360x230 mm               | 562x360x230 mm                 |
| Boundary cable supplied              | 120 m                        | 150 m                          |
| Weight (including battery)           | 9.0 kg                       | 9.3 kg                         |



# Up to 2000 m<sup>2</sup>



The **R 2000i** robot mower is designed to operate on areas of up to 2,000 m<sup>2</sup>. It can work in any weather conditions, as it is equipped with a rain sensor that puts it into standby mode on request. The automatic cutting height adjustment can be used to vary the travel speed of the robot, optimising its range. **Flex Cut** mode detects tall grass when cutting and slows down the travel speed accordingly, rather than speeding up with the disc blade locked, thereby ensuring an even cut.



The robot mower can be controlled directly from a smartphone: receive notifications in the event of problems and send start/park commands.



The Robot mower can be placed in the vertical position for storage or for cleaning the cutting attachment.



The robot mower cuts along the boundary wire first, in order to cut as close to the lawn edge as possible.



Ultrasonic obstacle detection to increase the performance and safety of the robot; the sensor (optional) can detect obstacles 10 cm wide and 15-20 cm high in front of the machine.  
**67040043**



Battery charger.  
R 500i, R 1000i, R 2000i.  
**67040044**



**Only available  
in certain markets**

**R 2000i**

|   |                                |
|---|--------------------------------|
| Battery                                 | Bi 250 Li-Ion (5.0 Ah/20 V)    |
| Charging time                           | 120 min                        |
| Operating time                          | 100 min                        |
| Cutting system motor speed              | 2.800 rpm                      |
| Guaranteed sound power level            | 65 dB(A)                       |
| Surface area/max. gradient              | max 2,000 m <sup>2</sup> /36 % |
| Cutting height                          | 30 - 40 - 50 - 60 mm           |
| Cutting diameter                        | 22.5 cm                        |
| Dimensions<br>(length x width x height) | 613x423x267 mm                 |
| Boundary cable supplied                 | 250 m                          |
| Weight (including battery)              | 11 kg                          |

Healthy soil that breathes and is nourished: for the flourishing development of our lawns.

## Technology and comfort

Designed and engineered for demanding home users, as well as professional gardeners and groundskeepers, these are the ideal machines for freeing turf of moss and thatch. Lawns should be scarified at least twice during the season, as this will allow the soil to breathe and enable moisture, air and nutrients to reach the roots of the grass, favouring steady and healthy growth.



Sturdy hardened steel spikes (floating on the **SCA 50 H** model), ideal even for the hardest terrain.



Glides perfectly over any surface thanks to the sturdy wheels mounted on bearings (metal bearings on the **SCA 50 H** model).



Reinforced steel deck, designed to withstand even the harshest of conditions.



Height adjustment system with memory enables the machine to be set down quickly at the same height when repositioned.



Fold-down handlebar released by a handy lever, designed to save space during storage.



EURO 5 engines with low environmental impact: compliant with the most stringent anti-pollution regulations.





# Scarifiers





# SCA series

Practical and manoeuvrable scarifier for home use in gardens of up to 1000 m<sup>2</sup>; the ideal tool for use with lawnmowers for turf scarification in preparation for early-season grass cutting, it gets rid of weed, moss and thatch and provides better aeration of the lawn. Also useful prior to grass seeding and fertilisation, enabling better penetration of the soil.



Foldable handlebar to reduce footprint during storage.



Practical working depth adjustment lever. Located on the side of the handlebar, it enables quick and easy adjustment while using the machine.



Rotor comprising 15 fixed blades.



With the optional 40-litre collection bag, fewer stops are needed to empty the contents, and the time and effort expended typically on manual collection can be avoided.

**68212000**



**Only available  
in certain markets**

## SCA 38 R

|               |                                 |
|---------------|---------------------------------|
| Deck          | steel                           |
| Displacement  | 179 cm <sup>3</sup> (4.7 HP)    |
| Engine        | Rato R 180                      |
| Working width | 38 cm                           |
| Blades        | 15, fixed                       |
| Wheels        | diameter 200 mm, plastic        |
| Working depth | 0-22 mm, adjustable with memory |
| Dimensions    | 130x59x109 cm                   |
| Weight        | 35 kg                           |



# SCA series



Lawn scarifiers of rugged construction equipped with powerful engines, designed to tackle even the most stubborn of soils with complete confidence. Regular scarifying and mowing will ensure lawns stay lush, green and healthy.



Working depth adjustment spring. Always maintains the preset position.



Metal wheels with ball bearings.



Rotor with 28 floating blades mounted on ball bearings and grease nipple system.



Simplified handlebar fold-down system: when released by a lever located conveniently on one side, the handlebar tilts forward over the deck to save space during storage.



**Only available  
in certain markets**

## SCA 50 H

|               |  |
|---------------|--|
| Deck          | steel                                    |
| Displacement  | 163 cm <sup>3</sup> (5.0 HP)             |
| Engine        | Honda GP 160 OHV                         |
| Working width | 50 cm                                    |
| Blades        | 28, floating                             |
| Wheels        | diameter 210-250 mm, metal with bearings |
| Working depth | 0-15 mm, adjustable with memory          |
| Dimensions    | 120x82x102 cm                            |
| Weight        | 65 kg                                    |



A clean and powerful cut for taming wild and wooded terrain.

## Technology and comfort

**Oleo-Mac** wheeled brushcutters are ideal machines for heavier workloads that involve cutting down and removing long, thick grass, clearing undergrowth or mowing along verges and the banks of ditches. The large wheels, combined with the propulsion system with variable speed drive or gears, ensure effortless progress even in inaccessible areas, enhancing operator comfort.



**DEB 517, 519** and **5159** models equipped with a differential that acts on the two rear wheels and a 360° swivelling front wheel to allow a tight turning radius and greater manoeuvrability on any terrain.



Devices such as the variable speed drive (**DEB 5159**) and the 3-speed gearbox (**DEB 529**) enable the operator to adapt the travel speed according to the type of terrain and the gradient.



Reinforced steel cutting decks, with large discharge area for release of cut material.



Centralised cutting height adjustment controlled by means of a handy lever located on the handgrip, affording maximum comfort for the operator.



Reinforced blade for effective cutting action even on thicker vegetation, brambles or undergrowth.



Reinforced mulching blades for effective cutting action even on thicker vegetation, brambles or undergrowth.



# Wheeled brushcutters









# DEB series



Compact and manoeuvrable, this model is the ideal workmate for demanding home users and smallholders who need to clear small to medium-sized areas infested with weeds, scrub or other types of invasive vegetation.



Large rear wheels with differential effect.



Sturdy side discharge in steel.



Removable and pivoting front wheel.



Only available  
in certain markets



## DEB 517

|                           |  |
|---------------------------|--|
| Deck                      | steel  |
| Displacement              | 173 cm <sup>3</sup> (4.3 HP)                           |
| Engine                    | RATO RV 170  |
| Gear speeds               | 1 forward speed  |
| Speed                     | 2.8 km/h   |
| Cutting width             | 51 cm  |
| Wheels                    | diameter 200-420 mm with single front wheel in plastic |
| Cutting height adjustment | centralised, 4 positions (adjustable from handgrip)    |
| Cutting height            | 55-70-90-110 mm  |
| Weight                    | 52 kg  |



# DEB series

Characterised by high strength and, at the same time, compact and manoeuvrable, these models are the ideal workmates for smallholders who need to clear medium-sized areas infested with weeds, scrubs or other invasive vegetation.



Cutting height adjustment through 4 positions, quick and convenient thanks to its positioning.



High-performance cutting system, suitable for any type of grass or scrub.



Double lockable front wheel, offers stability and strength even on uneven surfaces.



Only available in certain markets

## DEB 519

|                           |  |
|---------------------------|--|
| Deck                      | steel  |
| Displacement              | 225 cm³ (5.3 HP)                                       |
| Engine                    | RATO RV 225  |
| Gear speeds               | 1 forward speed  |
| Speed                     | 2.8 km/h   |
| Cutting width             | 51 cm  |
| Wheels                    | diameter 200-420 mm with double front wheel in plastic |
| Cutting height adjustment | centralised, 4 positions (adjustable from handgrip)    |
| Cutting height            | 55-70-90-110 mm  |
| Weight                    | 54 kg  |

# DEB series



Powerful professional models, designed for produce growers with heavy and constant workloads to manage. These machines are also ideal for landscaping contractors working on dense vegetation, with release of green waste to the ground.



Handlebar with vertical and horizontal adjustment using the handlebar-mounted lever.



Variable gear shift system (DEB 5159).



Cutting deck with front opening to help tackle scrub and tall vegetation (DEB 529).



Only available  
in certain markets

**DEB 5159**

**DEB 529**

|                           | DEB 5159   | DEB 529  |
|---------------------------|--|--|
| Deck                      | steel  | steel  |
| Displacement              | 225 cm <sup>3</sup> (5.3 HP)                         | 225 cm <sup>3</sup> (5.3 HP)                   |
| Engine                    | RATO RV 225  | RATO RV 225                                    |
| Gear speeds               | 7 variable speeds                                    | 2 forward speeds – 1 reverse                   |
| Speed                     | 2 – 4.2 km/h   | 2.6 – 3.3 km/h in forward drive                |
| Cutting width             | 51 cm  | 52 cm  |
| Wheels                    | diameter 200-370 mm with single front wheel in metal | 3.50x6" tyred wheels with anti-puncture liquid |
| Cutting height adjustment | centralised, 4 positions (adjustable from handgrip)  | 2 positions, adjustable by means of spacers    |
| Cutting height            | 55-70-90-110 mm                                      | 52-75 mm                                       |
| Weight                    | 62 kg  | 75 kg  |





All the power you need to tackle overgrown areas and woodland undergrowth, powerful cutting with no half measures.

## Technology and comfort

**Oleo-Mac** flail mowers guarantee exceptional cutting quality, including when tackling dense and thick-stemmed vegetation or medium diameter brushwood. Typified by high strength and cutting power, as well as superior operator comfort, these machines ensure that professional jobs of this kind can be completed swiftly and efficiently.



The cutting unit rotor, mounted on reinforced and shielded bearings, ensures the entire assembly is balanced and resistant to impact.



Ergonomic control levers (wheel lock release, brakes and gears) neatly arranged within easy reach.



Service and parking brake engages automatically when the clutch is disengaged, preventing accidental dangerous movements.



Large size rear wheels ensure smooth progress even in the presence of depressions and irregularities in the terrain.



Propulsion system with oscillating tracks that adapt to various types of terrain (**TR** models).



Easy cutting height adjustment by means of a worm screw lever.













# WB series



Compact and high-performance model, designed for home gardeners and grounds maintenance contractors. Grass, shoots, low vegetation and scrub are the ideal working environment. The compact dimensions of the rotor unit make this machine highly manoeuvrable in confined spaces and when moving between work areas. No terrain is off-limits thanks to the large tyred wheels. A versatile machine that easily adapts to different types of environments and shredding tasks.



Cutting unit rotor supported by reinforced bearings and shields, resulting in a machine that is perfectly balanced and resistant to accidental knocks.



Handlebars adjustable vertically and horizontally by means of a comfortable handgrip positioned at the end of the steering column.



Generously sized tyred wheels (4.00-8") to ensure excellent grip on the ground.



Cutting height adjustment by means of a worm screw lever. Finely adjustable from 20 to 80 mm.



## WB 50 K800H

Only available  
in certain markets

|                           |  |
|---------------------------|--|
| Displacement              | 182 cm <sup>3</sup>  |
| Engine make/model         | Emak K 800 H   |
| Cutting width             | 50 cm - 26 blades 'Y' shaped   |
| Transmission              | 3 forward speeds + reverse   |
| Cutting height adjustment | centralised (20 - 80 mm)   |
| Handlebar adjustment      | vertical and horizontal  |
| Wheels                    | 4.00x8" + 2 swivel with lock   |
| Speed                     | 1 <sup>st</sup> : 1.2 - 2 <sup>nd</sup> : 2.2 - 3 <sup>rd</sup> : 3.4<br>Rev: 1.4 km/h |
| Dimensions                | 1560x670x1185 mm   |
| Weight                    | 135 kg   |



# WB series

Flail mowers for intensive jobs are designed for work on grass, shoots, branches, low vegetation, scrub and stubble. They respond effectively to demanding applications such as uncultivated scrubland, roadside verges, brambles and undergrowth. The professional cutting unit with 38 Y-shaped flail blades offers excellent cutting quality. The pivoting and lockable front wheels make it possible to maintain the required cutting trajectory even on irregular surfaces. Technology paired with ergonomics: these models have comfortable handlebars with height and width adjustment, and the wheel release, brakes and gear control levers are all grouped together and within easy reach.



Independent steering clutches on the driving wheels with wheel locking function, making the machine extremely easy to manoeuvre.



The handlebars have 4 vertical adjustment positions and 5 horizontal adjustment positions.



Rotor with powerful and sturdy 'Y' shaped knives to cut and shred grass and clippings efficiently with no risk of impact or damage.



The gear selection lever on the handlebar is simple to operate.



Only available in certain markets

## WB 65 K1100H

## WB 65 HR11

|                           | WB 65 K1100H   | WB 65 HR11   |
|---------------------------|--|--|
| Displacement              | 302 cm <sup>3</sup>  | 389 cm <sup>3</sup>  |
| Engine make/model         | Emak K 1100 H  | Honda GX 340   |
| Cutting width             | 65 cm - 38 blades  | 65 cm - 38 blades  |
| Transmission              | 3 forward speeds + reverse   | 3 forward speeds + reverse   |
| Cutting height adjustment | centralised (20 - 80 mm)   | centralised (20 - 80 mm)   |
| Handlebar adjustment      | 4 height settings + 5 width settings   | 4 height settings + 5 width settings   |
| Wheels                    | 2 + 2 pivoting with brake  | 2 + 2 pivoting with brake  |
| Speed                     | 1 <sup>st</sup> : 1.2 - 2 <sup>nd</sup> : 2.2 - 3 <sup>rd</sup> : 3.4<br>Rev: 1.4 km/h | 1 <sup>st</sup> : 1.2 - 2 <sup>nd</sup> : 2.2 - 3 <sup>rd</sup> : 3.4<br>Rev: 1.4 km/h |
| Dimensions                | 1657x1092x814 mm   | 1657x1092x814 mm   |
| Weight                    | 160 kg   | 173.5 kg   |

# WB series



Professional flail mowers are designed for professional and intensive work on grass, shoots, twigs and low vegetation, scrub and stubble. They respond effectively to heavy-duty applications that are beyond the reach of conventional mowers, such as clearing of overgrown areas, roadside verges, steep slopes, brambles and undergrowth. The professional cutting unit offers exceptional cutting quality, while the tracked propulsion system fitted on model **WB 100 TR**, together with the pivoting and lockable front wheels, help to maintain the desired cutting trajectory even on irregular surfaces.



Independent steering clutches on the driving wheels with wheel locking function, making the machine extremely easy to manoeuvre.



Pivoting front wheels, lockable from the driving position.



Rotor with powerful and sturdy 'Y' shaped knives to cut and shred grass and clippings efficiently with no risk of impact or damage.



Tracked propulsion system, oscillating on the vertical plane (**80 TR**, **100 TR**).



Only available in certain markets



| WB 80   |  | WB 80 TR  |   | WB 100  |   | WB 100 TR   |   |
|---|--|---|---|---|---|---|---|
| 389 cm <sup>3</sup>   | 389 cm <sup>3</sup>  | 389 cm <sup>3</sup> (Honda)<br>429 cm <sup>3</sup> (Kohler)   | 389 cm <sup>3</sup> (Honda)<br>429 cm <sup>3</sup> (Kohler)   | 389 cm <sup>3</sup> (Honda)<br>429 cm <sup>3</sup> (Kohler)   | 389 cm <sup>3</sup> (Honda)<br>429 cm <sup>3</sup> (Kohler)   | 389 cm <sup>3</sup> (Honda)<br>429 cm <sup>3</sup> (Kohler)   | 389 cm <sup>3</sup> (Honda)<br>429 cm <sup>3</sup> (Kohler)   |
| Honda GX 340<br>Honda GX 340 ALPIN  | Honda GX 390<br>Honda GX 390 ALPIN   | Honda GX 390<br>Honda GX 390 ALPIN<br>Kohler CH 440   | Honda GX 390<br>Honda GX 390 ALPIN<br>Kohler CH 440   | Honda GX 390<br>Honda GX 390 ALPIN<br>Kohler CH 440   | Honda GX 390 ALPIN<br>Kohler CH 440   | Honda GX 390 ALPIN<br>Kohler CH 440   | Honda GX 390 ALPIN<br>Kohler CH 440   |
| 80 cm - 46 blades   | 80 cm - 46 blades  | 100 cm - 58 blades  | 100 cm - 58 blades  | 100 cm - 58 blades  | 100 cm - 58 blades  | 100 cm - 58 blades  | 100 cm - 58 blades  |
| 3 forward speeds + reverse  | 3 forward speeds + reverse   | 3 forward speeds + reverse  | 3 forward speeds + reverse  | 3 forward speeds + reverse  | 3 forward speeds + reverse  | 3 forward speeds + reverse  | 3 forward speeds + reverse  |
| centralised (20 - 80 mm)  | centralised (20 - 80 mm)   | centralised (20 - 80 mm)  | centralised (20 - 80 mm)  | centralised (20 - 80 mm)  | centralised (20 - 80 mm)  | centralised (20 - 80 mm)  | centralised (20 - 80 mm)  |
| 4 height settings +<br>5 width settings   | 4 height settings +<br>5 width settings adjustable via handlebars                        | 4 height settings +<br>5 width settings adjustable via handlebars   | 4 height settings +<br>5 width settings adjustable via handlebars   | 4 height settings +<br>5 width settings adjustable via handlebars   | 4 height settings +<br>5 width settings adjustable via handlebars   | 4 height settings +<br>5 width settings adjustable via handlebars   | 4 height settings +<br>5 width settings adjustable via handlebars   |
| 2 wheels (16 - 6.50/8")<br>+ 2 swivel wheels lockable via handlebars<br>+ steering brakes + parking brake | tracks<br>+ 2 swivel wheels lockable via handlebars<br>+ steering brakes + parking brake | 2 wheels (18 - 9.50/8")<br>+ 2 swivel wheels lockable via handlebars<br>+ steering brakes + parking brake | 2 wheels (18 - 9.50/8")<br>+ 2 swivel wheels lockable via handlebars<br>+ steering brakes + parking brake | 2 wheels (18 - 9.50/8")<br>+ 2 swivel wheels lockable via handlebars<br>+ steering brakes + parking brake | 2 wheels (18 - 9.50/8")<br>+ 2 swivel wheels lockable via handlebars<br>+ steering brakes + parking brake | 2 wheels (18 - 9.50/8")<br>+ 2 swivel wheels lockable via handlebars<br>+ steering brakes + parking brake | 2 wheels (18 - 9.50/8")<br>+ 2 swivel wheels lockable via handlebars<br>+ steering brakes + parking brake |
| 1 <sup>st</sup> : 1.2 - 2 <sup>nd</sup> : 2.2 - 3 <sup>rd</sup> : 3.4<br>Rev: 1.4 km/h                    | 1 <sup>st</sup> : 1.2 - 2 <sup>nd</sup> : 2.2 - 3 <sup>rd</sup> : 3.4<br>Rev: 1.4 km/h   | 1 <sup>st</sup> : 1.4 - 2 <sup>nd</sup> : 2.5 - 3 <sup>rd</sup> : 3.9<br>Rev: 1.6 km/h                    | 1 <sup>st</sup> : 1.4 - 2 <sup>nd</sup> : 2.5 - 3 <sup>rd</sup> : 3.9<br>Rev: 1.6 km/h                    | 1 <sup>st</sup> : 1.4 - 2 <sup>nd</sup> : 2.5 - 3 <sup>rd</sup> : 3.9<br>Rev: 1.6 km/h                    | 1 <sup>st</sup> : 1.4 - 2 <sup>nd</sup> : 2.5 - 3 <sup>rd</sup> : 3.9<br>Rev: 1.6 km/h                    | 1 <sup>st</sup> : 1.2 - 2 <sup>nd</sup> : 2.2 - 3 <sup>rd</sup> : 3.4<br>Rev: 1.4 km/h                    | 1 <sup>st</sup> : 1.2 - 2 <sup>nd</sup> : 2.2 - 3 <sup>rd</sup> : 3.4<br>Rev: 1.4 km/h                    |
| 1657x1092x964 mm  | 1657x1092x964 mm   | 1660x1220x1355 mm   | 1660x1220x1355 mm   | 1660x1220x1355 mm   | 1660x1220x1355 mm   | 1660x1220x1355 mm   | 1660x1220x1355 mm   |
| 175 kg  | 215 kg   | 203 kg  | 203 kg  | 203 kg  | 203 kg  | 245 kg  | 245 kg  |





# Tackle any lawn with comfort and power at the wheel of an **Oleo-Mac** garden tractor.

## Technology and comfort

A garden tractor is an invaluable helpmate for the management of large size gardens, grounds and public spaces. In situations of this type, the use of an agile and powerful garden tractor can make all the difference. Rugged and exceptionally manoeuvrable, **Oleo-Mac** garden tractors are equipped with agile steering systems that allow them to negotiate even the tightest turns. The ease of manoeuvring in the proximity of trees and shrubs makes for greater precision and speed for lawn finishing operations. The **Oleo-Mac** models are designed to adapt their progress to match the type of terrain. Equipped with hydrostatic transmission that enables the speed to be controlled by depressing a pedal, without having to stop the machine, or with mechanical lever transmission (model **OM 86 R/12,5 K M**). The different engine types, either single-cylinder or twin-cylinder, offer different power outputs depending on the model, to suit the surface area and the type of surface to be cut.



"4-cutting device": versatile cutting system that includes mulching, collection and side discharge as standard, with deflector for rear discharge.



The electromagnet clutch engages quickly and quietly by way of a handy dash-mounted button.



The cruise control function allows you to set a constant ground speed and thereby get the job done more efficiently.



Practical cutting height adjustment with a conveniently positioned lever, with a graduated scale to show the cutting height at a glance.



Front axle cast in steel to withstand even the heaviest of duties and resist accidental impact.



Mulch/collect "Change over" system: using a handy lever, the operator can close off the collection duct and switch automatically to mulching mode, without stopping.





# Garden Tractors





# Rider Mowers

Rider mowers are designed to manage small and medium sized lawns of up to 4,000 m<sup>2</sup>. Small and compact, with engine power of up to 13 HP, the rider mowers are designed to move with ease and precision around gardens with a large number of trees, bushes and other obstacles. Several models are convertible for mulching operation, while the 4-cutting device model can be set up for side clippings discharge by fitting a deflector, supplied as standard. Rider mowers offer a comfortable and safe driving experience in all situations and on all types of terrain.



Practical cutting height adjustment with a conveniently positioned lever, with a graduated scale to show the cutting height at a glance.



The telescopic bag emptying lever positioned within easy reach of the driver's seat allows the operator to tip and empty the full bag effortlessly and without twisting the body.



The electromagnetic clutch is engaged quickly and quietly by way of a handy dash-mounted button.



The garden tractor can be stored in a vertical position over winter to save space.



## MISTRAL 72/12,5 K H

## MISTRAL 72/13 H

|                                |  |  |
|--------------------------------|--|--|
| Displacement                   | 413 cm <sup>3</sup>  | 344 cm <sup>3</sup>  |
| Engine make/model              | Emak K 1250 AVD  | B&S Powerbuilt 3125E AVS series                                      |
| Cutting width/Number of blades | 72 cm/1  | 72 cm/1  |
| Cutting height                 | 30-80 mm, 7 positions  | 30-80 mm, 7 positions  |
| Propulsion                     | hydrostatic  | hydrostatic  |
| Speed                          | from 0 to 8.6 km/h in forward drive<br>from 0 to 3.2 km/h in reverse | from 0 to 8.6 km/h in forward drive<br>from 0 to 3.2 km/h in reverse |
| Turning radius                 | 45 cm  | 45 cm  |
| Bag capacity                   | 180 L  | 180 L  |
| Overall dimensions             | 198x73x110 cm  | 198x73x110 cm  |
| Mulching/Side discharge        | optional/optional  | standard/standard  |
| Weight                         | 192 kg   | 192 kg   |



# Side-discharge



Side-discharge garden tractors are ideal for areas up to 8,000 m<sup>2</sup>. Thanks to a kit that is extremely simple to fit, some models can be converted to incorporate a mulching function: this system keeps the cut grass circulating for an extended period, shredding it underneath the deck and then depositing it directly onto the ground to provide the lawn with previous nutrients. They are available with 5-speed manual transmission or pedal-operated hydrostatic transmission; the **109 L** model can also be fitted with a twin-cylinder engine providing the power and torque to cope with even the most demanding conditions.



Practical cutting height adjustment with a conveniently positioned lever, with a graduated scale to show the cutting height, selected from among 7 positions.



The electromagnetic clutch is engaged quickly and quietly by way of a handy dash-mounted button.



The quick-fit "Deck Wash System" connector on the mowing deck makes it possible to direct water inside the deck for quick and easy cleaning of the cutting mechanism.



Generously sized front bumper in steel for high strength and resistance in the case of accidental impact.



Only available in certain markets



< 6000 m<sup>2</sup>



< 6000 m<sup>2</sup>



< 8000 m<sup>2</sup>



< 8000 m<sup>2</sup>



| OM 99 L/12,5 K M   | OM 99 L/14,5 K   | OM 109 L/16 K  | OM 109 L/19 K V  |
|--|--|--|--|
| 413 cm <sup>3</sup>  | 432 cm <sup>3</sup>  | 452 cm <sup>3</sup>  | 586 cm <sup>3</sup>  |
| Emak K 1250 AVD  | Emak K 1450 AVD  | Emak K 1600 AVD  | Emak K 1900 AVD V-Twin   |
| 98 cm/2  | 98 cm/2  | 108 cm/2   | 108 cm/2   |
| 30-90 mm, 7 positions  | 30-90 mm, 7 positions  | 30-90 mm   | 30-90 mm, 7 positions  |
| mechanical (5 forward speeds + reverse)                      | hydrostatic  | hydrostatic  | hydrostatic  |
| from 1.6 to 7.5 km/h in forward drive<br>2.5 km/h in reverse | from 0 to 8.8 km/h in forward drive<br>from 0 to 4.5 km/h in reverse | from 0 to 8.8 km/h in forward drive<br>from 0 to 4.5 km/h in reverse | from 0 to 8.8 km/h in forward drive<br>from 0 to 4.5 km/h in reverse |
| 45 cm  | 45 cm  | 45 cm  | 45 cm  |
| 172x129x110 cm   | 172x129x110 cm   | 172x139x110 cm   | 172x139x110 cm   |
| standard/standard  | standard/standard  | standard/standard  | standard/standard  |
| 172 kg   | 169 kg   | 170 kg   | 175 kg   |



# Rear-discharge

Rear-discharge garden tractors with cutting width of 86 cm combine strength, reliability and compactness with high load capacity. Designed for areas up to 4,000 m<sup>2</sup>, they are equipped with an electromagnetic clutch for cutter blade engagement and a cutting width of 84 cm, making them ideal for mowing and collecting clippings in confined spaces. Available in two configurations: with mechanical gear transmission or pedal-operated hydrostatic transmission. They can be configured for grass cutting collection using the 300-litre grass catcher, for discharging from the rear, or for the mulching function. Battery charger and towing hitch are supplied as standard.



The quick-fit "Deck Wash System" connector on the mowing deck makes it possible to direct water inside the deck for quick and easy cleaning of the cutting attachment.



Generously sized front bumper in steel for high strength and resistance in the case of accidental impact.



LED headlights with daytime function ensure high visibility even in low light conditions.



Practical cutting height adjustment with a conveniently positioned lever, with a graduated scale to show the cutting height at a glance.



Only available  
in certain markets

## OM 86 R/12,5 K M

## OM 86 R/14,5 K

|                                |  |  |
|--------------------------------|--|--|
| Displacement                   | 413 cm <sup>3</sup>  | 432 cm <sup>3</sup>  |
| Engine make/model              | Emak K 1250 AVD  | Emak K 1450 AVD  |
| Cutting width/Number of blades | 86 cm/2  | 86 cm/2  |
| Cutting height                 | 30-90 mm, 7 positions  | 30-90 mm, 7 positions  |
| Propulsion                     | mechanical (5 forward speeds + reverse)                      | hydrostatic  |
| Speed                          | from 1.6 to 7.5 km/h in forward drive<br>2.5 km/h in reverse | from 0 to 8.8 km/h in forward drive<br>from 0 to 4.5 km/h in reverse |
| Turning radius                 | 45 cm  | 45 cm  |
| Bag capacity                   | 300 L  | 300 L  |
| Overall dimensions             | 250x96x110 cm  | 250x96x110 cm  |
| Mulching/Side discharge        | standard/not available                                       | standard/not available   |
| Weight                         | 190 kg   | 190 kg   |

# Rear-discharge



Rear-discharge garden tractors with cutting width of 92 cm combine compactness and reliability with high load capacity. Designed for areas up to 5000 m<sup>2</sup>, they are equipped with hydrostatic transmission and electromagnetic clutch for cutter blades engagement, with mulch cutting option. They can be configured for grass cutting collection using the high-capacity grass catcher (up to 310 litres), for discharging to the rear, or for distributing the chopped cuttings (mulching function). The **92 R** model can be fitted with a twin-cylinder engine providing the power and torque to cope with even the most demanding conditions.



Practical cutting height adjustment with a conveniently positioned lever, with a graduated scale to show the cutting height at a glance.



Generously sized front bumper in steel for high strength and resistance in the case of accidental impact.



The cutting blades are activated simply by pushing the electromagnetic clutch control button located on the dashboard. This system engages the blade with no kickback.



Small turning radius for agile cornering around ornamental plants or shrubs without having to perform awkward reversing or repositioning manoeuvres.



Only available  
in certain markets

**OM 92 R/16 K**

**OM 92 R/19 K V**

**OM 92/16 K H**

|                                |  |  |  |
|--------------------------------|--|--|--|
| Displacement                   | 452 cm <sup>3</sup>  | 586 cm <sup>3</sup>  | 452 cm <sup>3</sup>  |
| Engine make/model              | Emak K 1600 AVD  | Emak K 1900 AVD V-Twin   | Emak K 1600 AVD  |
| Cutting width/Number of blades | 92 cm/2  | 92 cm/2  | 92 cm/2  |
| Cutting height                 | 30-90 mm, 7 positions  | 30-90 mm, 7 positions  | 20-80 mm, 6 positions  |
| Propulsion                     | hydrostatic  | hydrostatic  | hydrostatic  |
| Speed                          | from 0 to 8.8 km/h in forward drive<br>from 0 to 4.5 km/h in reverse | from 0 to 8.8 km/h in forward drive<br>from 0 to 4.5 km/h in reverse | from 0 to 9.0 km/h in forward drive<br>from 0 to 7.0 km/h in reverse |
| Turning radius                 | 45 cm  | 45 cm  | 80 cm  |
| Bag capacity                   | 300 L  | 300 L  | 300 L  |
| Overall dimensions             | 250x99x110 cm  | 250x99x110 cm  | 248x95x112 cm  |
| Mulching/Side discharge        | standard/not available   | standard/standard  | optional/not available   |
| Weight                         | 192 kg   | 196 kg   | 255 kg   |





# Rear-discharge

Rear-discharge garden tractors with cutting width of 95 and 102 cm combine compactness and reliability with high load capacity. Designed for areas up to 7000 m<sup>2</sup>, they are equipped with hydrostatic transmission and electromagnetic clutch for cutter blades engagement, with mulch cutting option. They can be configured for grass cutting collection using the high-capacity grass catcher (up to 310 litres), for discharging to the rear, or for distributing the chopped cuttings (mulching function).



Practical cutting height adjustment with a conveniently positioned lever, with a graduated scale to show the cutting height at a glance.



Comfortable driving position thanks to the seat, which can be adjusted directly from the driver's seat, for optimal setting to suit the operator's height (**95/16 K**).



The cutting blades are activated simply by pushing the electromagnetic clutch control button located on the dashboard. This system engages the blade with no kickback.



Emak K 1900 AVD 586cc V-twin engine with power and torque capable of tackling even the most demanding mulching, cutting and collection conditions (**102 R/19 KV**).



Only available in certain markets

**OM 95/16 K**

**OM 102 R/16 K**

**OM 102 R/19 K V**

|                                |  |  |  |
|--------------------------------|--|--|--|
| Displacement                   | 452 cm <sup>3</sup>  | 452 cm <sup>3</sup>  | 586 cm <sup>3</sup>  |
| Engine make/model              | Emak K 1600 AVD  | Emak K 1600 AVD  | Emak K 1900 AVD V-Twin   |
| Cutting width/Number of blades | 95 cm/2  | 102 cm/2   | 102 cm/2   |
| Cutting height                 | 30-90 mm, 7 positions  | 30-90 mm, 7 positions  | 30-90 mm, 7 positions  |
| Propulsion                     | hydrostatic  | hydrostatic  | hydrostatic  |
| Speed                          | from 0 to 9.0 km/h in forward drive<br>from 0 to 4.0 km/h in reverse | from 0 to 8.8 km/h in forward drive<br>from 0 to 4.5 km/h in reverse | from 0 to 8.8 km/h in forward drive<br>from 0 to 4.5 km/h in reverse |
| Turning radius                 | 75 cm  | 45 cm  | 45 cm  |
| Bag capacity                   | 310 L  | 300 L  | 300 L  |
| Overall dimensions             | 251x117x100 cm   | 250x109x110 cm   | 250x109x110 cm   |
| Mulching/Side discharge        | standard/not available   | standard/not available   | standard/not available   |
| Weight                         | 230 kg   | 195 kg   | 197 kg   |

# Rear-discharge



Rear-discharge garden tractors with cutting width of 102 and 105 cm combine strength and reliability with high cutting and load capacity. Designed for areas up to 7000 m<sup>2</sup>, they are equipped with hydrostatic transmission and electromagnetic clutch for cutter blades engagement, with mulch cutting option. They can be configured for grass cutting collection using the high-capacity grass catcher (up to 320 litres), for discharging to the rear, or for distributing the chopped cuttings (mulching function).



The quick-fit "Deck Wash System" connector on the mowing deck makes it possible to direct water inside the deck for quick and easy cleaning of the cutting mechanism (106).



Comfortable driving position thanks to the seat, which can be adjusted directly from the driver's seat to suit the operator's height.



The cutting blades are activated simply by pushing the electromagnetic clutch control button located on the dashboard. This system engages the blade with no kickback.



Generously sized front bumper in steel for high strength and resistance in the case of accidental impact.



Only available in certain markets



| OM 105/16 K  | OM 106/16 K H  | OM 106/22 H  | OM 106/24 K H  |
|--|--|--|--|
| 452 cm <sup>3</sup>  | 452 cm <sup>3</sup>  | 656 cm <sup>3</sup>  | 708 cm <sup>3</sup>  |
| Emak K 1600 AVD  | Emak K 1600 AVD  | B&S Professional V-Twin 7220PXi series                               | Emak K 2400 AVD V-Twin   |
| 105 cm/2   | 102 cm/2   | 102 cm/2   | 102 cm/2   |
| 30-90 mm, 7 positions  | 30-95 mm, 7 positions  | 30-95 mm, 7 positions  | 30-95 mm, 7 positions  |
| hydrostatic  | hydrostatic  | hydrostatic  | hydrostatic  |
| from 0 to 9.0 km/h in forward drive<br>from 0 to 4.0 km/h in reverse | from 0 to 9.0 km/h in forward drive<br>from 0 to 4.5 km/h in reverse | from 0 to 9.0 km/h in forward drive<br>from 0 to 4.5 km/h in reverse | from 0 to 9.0 km/h in forward drive<br>from 0 to 4.5 km/h in reverse |
| 75 cm  | 40 cm  | 40 cm  | 40 cm  |
| 310 L  | 320 L  | 320 L  | 320 L  |
| 251x117x100 cm   | 242x106x116 cm   | 242x106x116 cm   | 242x106x116 cm   |
| standard/not available   | optional/not available   | optional/not available   | optional/not available   |
| 240 kg   | 272 kg   | 278 kg   | 278 kg   |



# Rear-discharge

Rear-discharge garden tractors equipped with powerful twin-cylinder engines (Emak and B&S) and cutting width of 122 cm (models **124**) and 125 cm (model **125**) are particularly suited to areas up to 9,000 m<sup>2</sup>. They are equipped with hydrostatic transmission, electromagnetic clutch for blade engagement and a large grass catcher with a capacity of over 300 litres. The mulching kit, which is a standard feature on the 125 model, chops up grass and deposits it on the ground to act as a fertiliser.



Practical cutting height adjustment with a conveniently positioned lever, with a graduated scale to show the cutting height at a glance.



The towing hitch, fitted as standard, makes the machine even more versatile, allowing it to tow a trailer or lawn roller.



Generously sized front bumper in steel for high strength and resistance in the case of accidental impact.



The **125** model includes cruise control as standard, allowing you to set a constant ground speed and thereby get the job done more efficiently.



Only available in certain markets

**OM 124/22 H**

**OM 124/24 K H**

**OM 125/22 V**

|                                |  |  |  |
|--------------------------------|--|--|--|
| Displacement                   | 724 cm <sup>3</sup>  | 708 cm <sup>3</sup>  | 656 cm <sup>3</sup>  |
| Engine make/model              | B&S Professional V-Twin 7220PXi series                               | Emak K 2400 AVD V-Twin   | B&S V-Twin Intek 7220 OHV series                                     |
| Cutting width/Number of blades | 122 cm/2   | 122 cm/2   | 125 cm/2   |
| Cutting height                 | 25-90 mm, 7 positions  | 25-90 mm, 7 positions  | 30-90 mm, 7 positions  |
| Propulsion                     | hydrostatic  | hydrostatic  | hydrostatic  |
| Speed                          | from 0 to 9.0 km/h in forward drive<br>from 0 to 4.5 km/h in reverse | from 0 to 9.0 km/h in forward drive<br>from 0 to 4.5 km/h in reverse | from 0 to 9.0 km/h in forward drive<br>from 0 to 4.0 km/h in reverse |
| Turning radius                 | 50 cm  | 50 cm  | 70 cm  |
| Bag capacity                   | 380 L  | 380 L  | 310 L  |
| Overall dimensions             | 264x127x129 cm   | 264x127x129 cm   | 251x119x130 cm   |
| Mulching/Side discharge        | optional/not available   | optional/not available   | standard/not available   |
| Weight                         | 293 kg   | 298 kg   | 275 kg   |



# All-terrain



Sturdy and reliable, professional all-terrain garden tractors are suitable for large areas up to 10,000 m<sup>2</sup>. They are designed for clearing and tidying overgrown areas with thick vegetation and on uneven and sloping ground where pick-up is not required. These garden tractors are equipped with various devices to facilitate the work of the operator, such as hydrostatic transmission with lever or pedal operation for control of travel direction and speed, the self-locking differential and the cutter drive electromagnetic clutch. Cruise Control is standard on all models, operated using a lever on the **APACHE** and a button on the **CHEYENNE**, and enable the garden tractor to maintain a constant travel speed while working.



Self-locking differential for the maximum traction in all conditions of terrain and gradient.



The sturdy metal footrest stands up to even the most intensive of jobs, offering a better driving position.



Equipped as standard with roll bar, front and rear bumpers, side guards and seat belt to ensure maximum safety, even when tackling the most complex situations (**CHEYENNE**).



110 cm cutting deck with 3 rotors and 6 mulching blades for finely chopping all types of grass and shrubs (**CHEYENNE**).



sharp pro < 9000 m<sup>2</sup>



sharp pro < 9000 m<sup>2</sup>

sharp pro < 10000 m<sup>2</sup>

Only available in certain markets

## APACHE 92 PRO 2WD APACHE 92 PRO 4WD CHEYENNE 110 4x4

|                                |  |  |  |
|--------------------------------|--|--|--|
| Displacement                   | 627 cm <sup>3</sup><br>708 cm <sup>3</sup>                           | 627 cm <sup>3</sup><br>708 cm <sup>3</sup>                           | 627 cm <sup>3</sup>  |
| Engine make/model              | B&S Vanguard V-Twin<br>Emak K 2400 AVD V-Twin                        | B&S Vanguard V-Twin<br>Emak K 2400 AVD V-Twin                        | B&S Vanguard V-Twin  |
| Cutting width/Number of blades | 92 cm/1 (with 2 floating blades)                                     | 92 cm/1 (with 2 floating blades)                                     | 110 cm/3   |
| Cutting height                 | 50-100 mm, 5 positions   | 50-100 mm, 5 positions   | 40-120 mm, 4 positions   |
| Propulsion                     | hydrostatic self-locking differential                                | hydrostatic 4 WD self-locking differential                           | hydrostatic 4 WD self-locking differential                           |
| Speed                          | from 0 to 9.0 km/h in forward drive<br>from 0 to 6.0 km/h in reverse | from 0 to 9.0 km/h in forward drive<br>from 0 to 6.0 km/h in reverse | from 0 to 9.0 km/h in forward drive<br>from 0 to 5.0 km/h in reverse |
| Turning radius                 | 76 cm  | 76 cm  | 73 cm  |
| Overall dimensions             | 219x103x145 cm   | 219x103x145 cm   | 235x116x174 cm   |
| Mulching/Side discharge        | optional/not available   | optional/not available   | optional/not available   |
| Weight                         | 322 kg   | 349 kg   | 401 kg   |






# Accessories



| Part number | Machines        |                     |      |       |      |      |       |    |     |     |    |     |     |               |
|-------------|-----------------|---------------------|------|-------|------|------|-------|----|-----|-----|----|-----|-----|---------------|
|             | MISTRAL 72/13 H | MISTRAL 72/12,5 K H | 99 L | 109 L | 86 R | 92 R | 102 R | 92 | 106 | 124 | 95 | 105 | 125 | APACHE 92 PRO |

## Mulching kit

This kit serves to shred grass cuttings into very fine particles and distribute them around the base of the grass stems, leaving a perfectly clean lawn and ensuring a clean and uniform cut.

|   |              |           |   |   |   |   |   |   |  |  |  |  |  |   |   |   |  |
|---|--------------|-----------|---|---|---|---|---|---|--|--|--|--|--|---|---|---|--|
|    |              | 68130438  | ● |   |   |   |   |   |  |  |  |  |  |   |   |   |  |
|   |              | 68132062  | ○ |   |   |   |   |   |  |  |  |  |  |   |   |   |  |
|   | Mulching kit | NA        |   | ● | ● |   |   |   |  |  |  |  |  |   |   |   |  |
|   |              | NA        |   |   |   | ● | ● | ● |  |  |  |  |  |   |   |   |  |
|   |              | 68120005A |   |   |   |   |   |   |  |  |  |  |  |   | ○ | ○ |  |
|   |              | 68120025  |   |   |   |   |   |   |  |  |  |  |  | ○ |   |   |  |
|   |              | 68120008A |   |   |   |   |   |   |  |  |  |  |  | ○ |   |   |  |
|  | Mulching kit | 68050012  |   |   |   |   |   |   |  |  |  |  |  | ● |   |   |  |
|   |              | 68050013  |   |   |   |   |   |   |  |  |  |  |  |   | ● |   |  |
|   |              | 68040001  |   |   |   |   |   |   |  |  |  |  |  |   |   | ● |  |

## Discharge deflectors

To discharge the grass cuttings onto the lawn surface when working.

|   |                               |           |   |   |  |  |   |   |   |   |   |   |   |   |   |  |  |
|---|-------------------------------|-----------|---|---|--|--|---|---|---|---|---|---|---|---|---|--|--|
|  | Rear deflector                | 68130404  | ○ | ○ |  |  |   |   |   |   |   |   |   |   |   |  |  |
|   |                               | 68120003  |   |   |  |  |   |   |   | ○ | ○ | ○ |   |   |   |  |  |
|   |                               | 68050011  |   |   |  |  |   |   |   |   |   |   | ○ | ○ | ○ |  |  |
|   |                               | 68050047  |   |   |  |  | ○ | ○ | ○ |   |   |   |   |   |   |  |  |
|  | Side deflector                | 68130591  | ● |   |  |  |   |   |   |   |   |   |   |   |   |  |  |
|   | Side discharge conversion kit | 68132044A | ○ |   |  |  |   |   |   |   |   |   |   |   |   |  |  |

● standard equipment ○ compatible tools


# Accessories



| Part number | Machines        |                     |      |       |      |      |       |    |     |     |    |     |     |               |                  |
|-------------|-----------------|---------------------|------|-------|------|------|-------|----|-----|-----|----|-----|-----|---------------|------------------|
|             | MISTRAL 72/13 H | MISTRAL 72/12,5 K H | 99 L | 109 L | 86 R | 92 R | 102 R | 92 | 106 | 124 | 95 | 105 | 125 | APACHE 92 PRO | CHEYENNE 110 4x4 |


## Steering wheel knob

Increases ergonomic comfort while driving the tractor or emptying the grass catcher, allowing the operator to steer the vehicle with just one hand.

|   |                     |          |   |  |  |  |  |  |  |  |  |  |  |  |  |  |  |  |
|---|---------------------|----------|---|--|--|--|--|--|--|--|--|--|--|--|--|--|--|--|
|  | Steering wheel knob | 68130600 | ○ |  |  |  |  |  |  |  |  |  |  |  |  |  |  |  |
|---|---------------------|----------|---|--|--|--|--|--|--|--|--|--|--|--|--|--|--|--|


## Battery charger

To keep the battery in good working order during periods of disuse, ensuring the optimum charge level and longer lifetime.

|  |                 |          |   |   |   |   |   |   |   |   |   |   |   |   |   |   |  |  |
|--|-----------------|----------|---|---|---|---|---|---|---|---|---|---|---|---|---|---|--|--|
|  | Battery charger | 68130481 | ● | ● | ● | ● | ● | ● | ○ | ○ | ○ | ● | ● | ● | ○ | ○ |  |  |
|--|-----------------|----------|---|---|---|---|---|---|---|---|---|---|---|---|---|---|--|--|

## Towing kit

Makes it possible to tow a small trailer.

|   |            |          |   |   |   |   |   |   |   |  |  |  |  |  |  |  |  |  |  |
|---|------------|----------|---|---|---|---|---|---|---|--|--|--|--|--|--|--|--|--|--|
|  | Towing kit | 68130458 | ● | ○ |   |   |   |   |   |  |  |  |  |  |  |  |  |  |  |
|   |            | NA       |   |   | ● | ● |   |   |   |  |  |  |  |  |  |  |  |  |  |
|   |            | NA       |   |   |   |   | ● | ● | ● |  |  |  |  |  |  |  |  |  |  |

|   |            |          |  |  |  |  |  |  |  |  |  |  |  |  |   |   |  |  |
|---|------------|----------|--|--|--|--|--|--|--|--|--|--|--|--|---|---|--|--|
|  | Towing kit | 68120007 |  |  |  |  |  |  |  |  |  |  |  |  | ○ | ○ |  |  |
|---|------------|----------|--|--|--|--|--|--|--|--|--|--|--|--|---|---|--|--|






● standard equipment ○ compatible tools





# Accessories



|  | Part number  | Machines         |                          |                          |                          |                          |                          |                          |                          |                          |                          |                          |                          |                          |                          |                          |
|--|--|------------------|--------------------------|--------------------------|--------------------------|--------------------------|--------------------------|--------------------------|--------------------------|--------------------------|--------------------------|--------------------------|--------------------------|--------------------------|--------------------------|--------------------------|
|  |  | MISTRAL 72/13 H  | MISTRAL 72/12,5 K H      | 99 L                     | 109 L                    | 86 R                     | 92 R                     | 102 R                    | 92                       | 106                      | 124                      | 95                       | 105                      | 125                      | APACHE 92 PRO            | CHEYENNE 110 4x4         |
| <b>Trailer</b><br>Lightweight and durable, ideal for transporting grass cuttings, green waste or other material. Detachable steel frame with reinforced bar. Dimensions: 72 x 103 x 28 cm. Max load capacity approx. 230 kg. |  |                  |                          |                          |                          |                          |                          |                          |                          |                          |                          |                          |                          |                          |                          |                          |
|    | Trailer  | <b>68130005A</b> | <input type="checkbox"/> | <input type="checkbox"/> | <input type="checkbox"/> | <input type="checkbox"/> | <input type="checkbox"/> | <input type="checkbox"/> | <input type="checkbox"/> | <input type="checkbox"/> | <input type="checkbox"/> | <input type="checkbox"/> | <input type="checkbox"/> | <input type="checkbox"/> | <input type="checkbox"/> | <input type="checkbox"/> |
| <b>Lawn roller</b><br>Lawn roller, perfect for soil compaction after sowing.   |  |                  |                          |                          |                          |                          |                          |                          |                          |                          |                          |                          |                          |                          |                          |                          |
|   | Lawn roller<br>Length 98 cm<br>Diameter 90 cm<br>Weight with water 140 kg<br>Weight with sand 235 kg | <b>68050010</b>  | <input type="checkbox"/> | <input type="checkbox"/> | <input type="checkbox"/> | <input type="checkbox"/> | <input type="checkbox"/> | <input type="checkbox"/> | <input type="checkbox"/> | <input type="checkbox"/> | <input type="checkbox"/> | <input type="checkbox"/> | <input type="checkbox"/> | <input type="checkbox"/> | <input type="checkbox"/> | <input type="checkbox"/> |
| <b>Electric bag emptying kit</b>   |  |                  |                          |                          |                          |                          |                          |                          |                          |                          |                          |                          |                          |                          |                          |                          |
|   | Electric bag emptying kit  | <b>68050014</b>  |                          |                          |                          |                          |                          |                          |                          |                          |                          |                          | <input type="checkbox"/> | <input type="checkbox"/> | <input type="checkbox"/> |                          |
| <b>Metal bumper kit</b>  |  |                  |                          |                          |                          |                          |                          |                          |                          |                          |                          |                          |                          |                          |                          |                          |
|   | Metal bumper kit   | <b>68050018</b>  |                          |                          |                          |                          |                          |                          |                          |                          |                          |                          | <input type="checkbox"/> | <input type="checkbox"/> | <input type="checkbox"/> |                          |
| <b>Protective sheet</b><br>Protective cover in synthetic material to protect the tractor from UV rays and rain.  |  |                  |                          |                          |                          |                          |                          |                          |                          |                          |                          |                          |                          |                          |                          |                          |
|   | Protective sheet with logo and elastic fastening   | <b>68050034</b>  | <input type="checkbox"/> | <input type="checkbox"/> | <input type="checkbox"/> | <input type="checkbox"/> | <input type="checkbox"/> | <input type="checkbox"/> | <input type="checkbox"/> | <input type="checkbox"/> | <input type="checkbox"/> | <input type="checkbox"/> | <input type="checkbox"/> | <input type="checkbox"/> | <input type="checkbox"/> | <input type="checkbox"/> |

● standard equipment ○ compatible tools

# Oleo-Mac water pumps: readily accessible water power to irrigate the soil.



## Technology and comfort

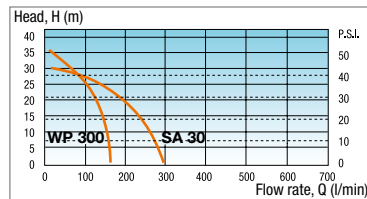
The complete range of **Oleo-Mac** water pumps complies both with the needs of home users and with those of professionals, for use in agriculture and on building sites. Lightweight and practical but simultaneously rugged and exceptionally reliable through time, these units are designed for the irrigation of plants, vineyards and allotments or for emptying duties. **Oleo-Mac** water pumps feature a high suction head to flow rate ratio for the utmost flexibility in all working conditions and optimal efficiency, also when located at a distance from water sources.



Thanks to its plastic body, the machine is extremely light.



Tough tubular steel frame facilitating transport of the machine and affording protection from accidental impact.



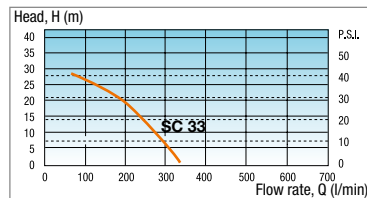
Self-priming water pumps: **Oleo-Mac** models are characterised by an excellent Head/Flow Rate ratio.



Tough aluminium pump casing ensures maximum long-term durability.



Steel crankshaft and piston with 2 rings guarantee prolonged service life.



Non self-priming water pumps: **Oleo-Mac** models are characterised by an excellent Head/Flow Rate ratio.





# Water Pumps

## Guide to selection

**WP 300**

|                                     |     | Total head H (m)           |     |     |     |     |    |    |    |
|-------------------------------------|-----|----------------------------|-----|-----|-----|-----|----|----|----|
|                                     |     | 1.5                        | 3   | 5   | 10  | 15  | 20 | 25 | 30 |
| Total length of pipeline<br>Ø 25 mm | 5   | 137                        | 132 | 128 | 124 | 108 | 98 | 72 | 57 |
|                                     | 20  | 108                        | 104 | 100 | 89  | 76  | 63 | 57 | 41 |
|                                     | 50  | 82                         | 79  | 76  | 67  | 58  | 46 | 33 | 12 |
|                                     | 100 | 62                         | 60  | 57  | 50  | 43  | 34 | 25 | 10 |
|                                     | 200 | 46                         | 44  | 42  | 37  | 32  | 25 | 16 |    |
|                                     | 500 | 28                         | 27  | 25  | 22  | 20  | 15 |    |    |
| <b>L (m)</b>                        |     | <b>Flow rate Q (l/min)</b> |     |     |     |     |    |    |    |

**SA 30 TLA**

|                                     |     | Total head H (m)           |     |     |     |     |     |     |    |
|-------------------------------------|-----|----------------------------|-----|-----|-----|-----|-----|-----|----|
|                                     |     | 1.5                        | 3   | 5   | 10  | 15  | 20  | 25  | 30 |
| Total length of pipeline<br>Ø 40 mm | 5   | 266                        | 260 | 247 | 205 | 185 | 150 | 100 | 50 |
|                                     | 20  | 240                        | 230 | 220 | 195 | 167 | 132 | 85  | 45 |
|                                     | 50  | 202                        | 195 | 185 | 165 | 142 | 115 | 72  | 40 |
|                                     | 100 | 170                        | 162 | 157 | 140 | 118 | 98  | 70  | 37 |
|                                     | 200 | 130                        | 127 | 120 | 107 | 92  | 76  | 55  |    |
|                                     | 500 | 90                         | 87  | 82  | 72  | 63  | 51  | 40  |    |
| <b>L (m)</b>                        |     | <b>Flow rate Q (l/min)</b> |     |     |     |     |     |     |    |

**SC 33**

|                                     |     | Total head H (m)           |     |     |     |     |     |     |    |
|-------------------------------------|-----|----------------------------|-----|-----|-----|-----|-----|-----|----|
|                                     |     | 1.5                        | 3   | 5   | 10  | 15  | 20  | 25  | 30 |
| Total length of pipeline<br>Ø 40 mm | 5   | 308                        | 300 | 286 | 250 | 205 | 160 | 120 | 55 |
|                                     | 20  | 270                        | 260 | 250 | 220 | 185 | 150 | 100 | 53 |
|                                     | 50  | 222                        | 212 | 203 | 180 | 152 | 123 | 90  | 50 |
|                                     | 100 | 177                        | 171 | 165 | 148 | 125 | 102 | 78  | 40 |
|                                     | 200 | 137                        | 130 | 125 | 110 | 98  | 80  | 58  |    |
|                                     | 500 | 90                         | 88  | 82  | 75  | 65  | 52  | 40  |    |
| <b>L (m)</b>                        |     | <b>Flow rate Q (l/min)</b> |     |     |     |     |     |     |    |





# Self-priming

Self-priming water pumps are ideal for irrigation of gardens and small crop cultivation areas. Compact, extremely lightweight and reliable, these machines provide running time of one hour with a full tank. Model **WP 300** features significantly reduced noise levels and vibration thanks to the new engine configuration, with its lower speed operating setting. Reducer fittings kit, complete with seals to ensure optimal watertightness and high performance. The fittings allow easy connection between the pump and the most commonly used rubber hoses.

|   |  |   |  |   |  |
|---|--|---|--|---|--|
|   |  |   |  |   |  |
| 1" fittings kit (as standard on <b>WP 300</b> , <b>SA 30 TLA</b> ). | Water filter with 1" fitting (as standard on <b>WP 300</b> , <b>SA 30 TLA</b> ). | Ø 1" spiral hose, length 4m (optional on <b>WP 300</b> ). | 1" ½ fittings kit (standard on <b>SA 30 TLA</b> ). | Water filter with 1" ½ fitting (standard on <b>SA 30 TLA</b> ). | Optional curved fitting kit with 1" ½ to 1" reduction (standard on <b>SA 30 TLA</b> ). |
| <b>340000002R</b>   | <b>340000001R</b>  | <b>340000031</b>  | <b>341000016A</b>                                  | <b>341000017</b>  | <b>341000102</b>   |



## WP 300

## SA 30 TLA

|                                   |                    |                      |
|-----------------------------------|--------------------|----------------------|
| Power                             | 1.3 HP – 1.0 kW    | 2.1 HP - 1.6 kW      |
| Displacement                      | 30 cm <sup>3</sup> | 50.2 cm <sup>3</sup> |
| Max. flow rate/Max. head          | 150 L/min/36 m     | 270 L/min/30 m       |
| Suction Ø/Delivery Ø/Suction head | 1"/25.4 mm/7 m     | 1.5"/38.1 mm/7.3 m   |
| Pump type                         | centrifugal        | centrifugal          |
| Fuel tank capacity                | 0.83 L             | 1.10 L               |
| Sound pressure/power level        | 99.3/102 dB(A)     | 88/100.8 dB(A)       |
| Total dry weight                  | 5.5 kg             | 8.5 kg               |

# Not self-priming



The non self-priming water pump is the optimal solution for handling high liquid flow rates, thanks also to its long operating time. This unit is equipped with a practical carry handle for easy transport and a solid tubular steel frame to protect it from accidental impact. The **SC 33** non self-priming water pump is designed to provide lasting operation with reduced wear, thanks to the rugged pump body in aluminium and the ceramic mechanical seals. Reducer fittings kit, complete with seals to ensure optimal watertightness and high performance. The fittings allow easy connection between the pump and the most commonly used rubber hoses.



1" ½ fittings kit (as standard).

**341000016A**



Water filter with 1" ½ fitting and foot valve (as standard).

**332000010R**



## SC 33

|                                   |                      |
|-----------------------------------|----------------------|
| Power                             | 2.1 HP - 1.6 kW      |
| Displacement                      | 50.2 cm <sup>3</sup> |
| Max. flow rate/Max. head          | 320 L/min/30 m       |
| Suction Ø/Delivery Ø/Suction head | 1.50"/38.1 mm/7.3 m  |
| Pump type                         | centrifugal          |
| Fuel tank capacity                | 1.10 L               |
| Sound pressure/power level        | 88/100.8 dB(A)       |
| Total dry weight                  | 6.5 kg               |





Easy to handle, versatile and smart: high performance for your groundcare requirements.

## Technology and comfort

The backpack mistblowers are a paradigm of ergonomics and efficiency, combining top performance and operator comfort. The controls located on the handle are perfectly accessible, the tanks are generously sized, and the aluminium fan is safe and efficient. The petrol engine guarantees reliability and a long working life, while the adjustable jet allows the machine to be adapted to suit the type of treatment to be performed and the type of vegetation involved.



The opening angle of the jet can be adjusted rapidly and conveniently without having to stop working, enabling treatment to be customised according to each individual type of vegetation.



The controls are readily accessible and the handle can be easily adjusted in accordance with the crops to be treated, also with a forward angle for the optimal wrist position when spraying with the tube positioned vertically.



The booster pump (supplied on request) increases the liquid throw to improve reach height.



The optional ULV kit allows optimal atomisation of the sprayed liquid to ensure targeted treatment, eliminating overspray and wastage of product.



Maximum user comfort thanks to the ergonomic harness and vibration-damping system of the frame.



Easy-to-install powder kit affords numerous options for selection of the quantity delivered.





# Backpack Mistblowers



# Backpack

For treatment and pest control of crops, small plantations and nurseries. These machines can deliver liquids (such as fungicides and pesticides) or powders. The mistblowers have an ergonomic harness and frame mounted on a vibration-damping system for the maximum user comfort.



The EasyLift mixture cap is the most practical solution for fast fluid top-up. The conveniently folding rear handgrip is ergonomic and ensures easy use of the filler caps without the need for tools (**AM 163**).



The booster pump keeps the solution of liquids in the tank thoroughly mixed, increasing and stabilising the delivery flow rate of the product (supplied as standard on the **AM 163** model).



In model **AM 163**, the ULV kit provides optimal atomisation of the sprayed liquid to ensure targeted treatment, eliminating overspray and wastage of product.



In model **AM 163**, the telescoping blower tube has been designed to ensure maximum comfort for the operator. The control handle is adjustable, allowing the longitudinal movement and rotation of the blower tube and handgrip.



**MB 80**



**MB 800**














**AM 163**

|                            |                          |                        |
|----------------------------|--------------------------|------------------------|
| Power                      | 5.0 HP - 3.7 kW (SAE)    | 4.4 HP - 3.3 kW        |
| Displacement               | 72.4 cm <sup>3</sup>     | 61.3 cm <sup>3</sup>   |
| Max. air flow              | 16.0 m <sup>3</sup> /min | 20 m <sup>3</sup> /min |
| Air speed                  | 120 m/sec                | 90 m/sec               |
| Liquid delivery rate       | 0.5 ÷ 3 L/min            | 0.67 ÷ 5.15 L/min      |
| Liquid tank capacity       | 14 L                     | 16 L                   |
| Sound pressure/power level | 95.7/109.6 dB(A)         | 102/112 dB(A)          |
| Lh/rh vibration level      | < 2.5 m/s <sup>2</sup>   | < 2.5 m/s <sup>2</sup> |
| Weight                     | 12.5 kg                  | 11.5 kg                |



# Accessories



|   | Part number                 | Machines     |                       |                       |                       |
|---|-----------------------------|--------------|-----------------------|-----------------------|-----------------------|
|   |                             | MB 80/MB 800 | MB 90/MB 900          | AM 163                |                       |
| <b>Dusting kit</b><br>Conversion kit for treatment based on microgranule chemical powder. Rather than entering into contact with the fan, the powder/granules are conveyed directly into the blower tube.   |                             |              |                       |                       |                       |
|    | Dusting kit                 | 365200114    | <input type="radio"/> |                       |                       |
|    |                             | 56062004     |                       | <input type="radio"/> |                       |
|    |                             | 56022027     |                       |                       | <input type="radio"/> |
| <b>Diffusers kit</b><br>Allow the operator to direct or reduce the intensity of the liquid jet in accordance with application directions of the treatment liquids.  |                             |              |                       |                       |                       |
|   | Double jet kit              | 365100062A   | <input type="radio"/> |                       |                       |
|    | Kit containing 3 diffusers  | 56062003     |                       | <input type="radio"/> |                       |
| <b>ULV kit</b><br>Provides optimal atomization of the sprayed liquid to ensure targeted treatment eliminating overspray and wastage of product.   |                             |              |                       |                       |                       |
|    | ULV kit                     | 365200203A   | <input type="radio"/> |                       |                       |
|    |                             | 56062005     |                       | <input type="radio"/> |                       |
| <b>Booster pump</b><br>The booster pump keeps the solution of liquids in the tank thoroughly mixed, increasing and stabilizing the delivery flow rate of the product. The booster and filler version allows the tank to be filled without obliging the operator to take off the backpack. |                             |              |                       |                       |                       |
|    | Booster pump kit            | 365200273CR  | <input type="radio"/> |                       |                       |
|    | Booster pump kit            | 56062001     |                       | <input type="radio"/> |                       |
|    | Booster and filler pump kit | 56062002     |                       | <input type="radio"/> |                       |
| <b>Extension tubes kit</b><br>Extension tubes make it possible to change the blower tube terminal angle to adapt the jet for different treatment types.   |                             |              |                       |                       |                       |
|    | Extension tubes kit         | 56062006     |                       | <input type="radio"/> |                       |

o compatible tools

Robust and reliable,  
**Oleo-Mac** rotary tillers and  
two-wheeled tractors  
prepare the soil for small  
and large cultivation projects.

## Technology and comfort

**Oleo-Mac** rotary tillers and two-wheeled tractors are reliable, easy to handle and simple to use. Safe and built with materials that provide long-lasting strength, they are an invaluable workmate for gardeners, farmers and landscaping experts working on medium-sized plots. To offer greater comfort, some models have handlebars with both height and width adjustment, to adapt to the operator's stature and work alongside crops without trampling on the tilled soil. Can be paired with various accessories, such as the adjustable furrowing tool and metal or tyred wheels, making them a multipurpose tool for tending the vegetable patch and garden.



The chain guard is reinforced to withstand flying stones and accidental impact.



The front wheel is included for transport purposes, and can be raised when the machine engages the soil.



External gear selector, ergonomically designed and easily accessible.



The handlebars are fully adjustable: up and down, to adapt to the user's height and build, and sideways (offset), allowing the operator to walk alongside crops without treading on the freshly turned soil.



50 cm rotor with depth adjuster.



Oil-bath gear drive for high mechanical strength and reduced maintenance.





# Rotary Tillers Two-wheeled tractors





# MH Series Rotary Tillers

Ideal for home users who need to prepare vegetable gardens and flower beds for seeding, this model offers an excellent combination of manageability and user-friendliness.



Rear wheel for easy transportation of the machine.



Speed regulator with integrated on-off system and control lever located within easy reach.



46 cm rotor with three elements on each side, reducible to 32-22 cm.



Scarifier.

**69209018**



## MH 155 K

|                   |                          |
|-------------------|--------------------------|
| Engine make/model | Emak K 300 H OHV         |
| Displacement      | 80 cm <sup>3</sup>       |
| Gearbox           | 1 forward speed          |
| Rotor             | 3+3 blades - 46 cm       |
| Handlebars        | with vertical adjustment |
| Transmission      | in steel                 |
| Dimensions        | 115x110x46 cm            |
| Weight            | 27 kg                    |

# MH Series Rotary Tillers



Compact and lightweight, medium power rotary tillers are designed for the care and maintenance of allotments, gardens and plots of medium size, and also smaller spaces and around low height plants. Manoeuvrable, lightweight, and easy to use. The handlebars are adjustable to all positions so they can be adapted to match the preferences of any user or working situation; for model **MH 198 RKS** adjustment is achieved with a practical lever on the handlebars.



Ideal for deep furrowing of hard and uncultivated terrain and to prepare the ground for tillage.

Lateral transport wheels to easily move the machine on hard surfaces in case of different activities on the soil.

Adjustable furrower.  
Compatible  
**MH 175 RKS \***  
**MH 198 RKS**

Adjustable plough.  
Compatible  
**MH 175 RKS \***  
**MH 198 RKS**

Potato digger.  
Compatible  
**MH 175 RKS \***  
**MH 198 RKS**

Pair of tyred wheels  
3.50-6".  
Compatible  
**MH 198 RKS**

Pair of tyred wheels  
3.50-8".  
Compatible

Pair of metal wheels.  
Compatible

**69209081**

**69209082**

**69209083**

**69209089**

**MH 175 RKS**  
**69209131**  
**MH 198 RKS**  
**69209114**

**MH 175 RKS**  
**69209084**  
**MH 198 RKS**  
**69209116**

\* requires tool holder **69209087**



## MH 175 RKS

## MH 198 RKS

|                   |   |  |
|-------------------|---|--|
| Engine make/model | Emak K 800 HT OHV   | Emak K 800 HC OHV  |
| Displacement      | 182 cm <sup>3</sup>   | 182 cm <sup>3</sup>  |
| Gearbox           | 1 forward speed + 1 reverse                                     | 2 forward speed + 1 reverse                                  |
| Rotor             | 3+3 blades – 82 cm reducible to 55-35 cm, with protection discs | 3+3 blades – 85 cm reducible to 35 cm, with protection discs |
| Handlebars        | fully adjustable  | fully adjustable   |
| Rear tool holder  | optional (part number <b>69209087</b> )                         | standard   |
| Dimensions        | 140x80x82 cm  | 163x105x85 cm  |
| Weight            | 57 kg   | 63 kg  |









# RC Series Two-Wheeled Tractors



Ideal for home users with small vegetable plots and gardens requiring periodic soil maintenance in preparation for sowing. The large wheels and adjustable handlebars, which are both height and width-adjustable using a convenient lever, give the operator maximum control over the two-wheeled tractor, allowing it to be adapted to different usage situations.



Front ballast that increases the stability of the two-wheeled tractor, particularly on harder terrain.



Large wheels for greater manoeuvrability of the machine during use.



Handlebars with height and width adjustment by means of a handy lever on the handlebar, to ensure correct operator posture.



50 cm rotor with depth adjuster.



## RC 350

|                     |                                       |
|---------------------|---------------------------------------|
| Engine make / model | Emak K 800 HC OHV                     |
| Displacement        | 182 cm <sup>3</sup>                   |
| Gearbox             | 1 forward speed + 1 reverse           |
| Clutch              | direct coupling, belt with tensioner  |
| Transmission        | chain and oil-bath gearbox            |
| Rotor               | 3+3 blades - 50 cm                    |
| Handlebars          | vertical and horizontal adjustment    |
| Dimensions          | 130x53x105 cm                         |
| Weight              | 89 kg (including 10 kg front ballast) |



Power, manoeuvrability and precision for drilling all types of terrain.

## Technology and comfort

**Oleo-Mac** earth augers are ideal for drilling holes for vines or trees, greenhouse poles, fence uprights and lamp posts. Our models offer high stress resistance under the most extreme conditions and in all working environments.



Ergonomic handle for exceptional comfort: equipped with throttle trigger lockout to prevent unintentional acceleration.



Diaphragm carburettor allows the machine to operate in any position without leakage of fuel.



Professional aluminium gearbox with gears running in ball bearings: guarantee of long life, quiet operation and reduced vibration.



# Earth Augers

## MTL series medium power

A medium-power earth auger is ideal for small drilling operations on rural terrain, such as for planting vines or trees, or for drilling holes for greenhouse poles or fence uprights. In this case the job can be done by just one operator. Model **MTL 51** is particularly safe and comfortable: all the controls are combined on the ergonomic handgrip, including a safety lever to protect against uncontrolled acceleration.



Single flight bits with single or double cutting edge (double cutting edges ensure more efficient penetration and facilitate the discharge of earth). With tip and cutting edge made of special steel to ensure top performance and excellent wear resistance. Compatible

ø 8x100 cm    **375100028A**  
 ø 10x100 cm    **375100029A**  
 ø 15x100 cm    **375100030A**  
 ø 20x100 cm    **375100031A**



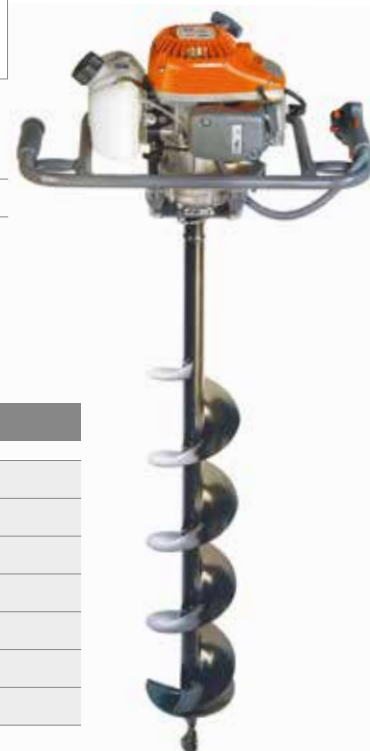
30 cm extension with cotter pin for increased boring depth. Compatible

**375100115**



### MTL 51

|                            |                            |
|----------------------------|----------------------------|
| Power                      | 2.1 HP - 1.6 kW            |
| Displacement               | 50.2 cm <sup>3</sup>       |
| Reduction ratio            | 40 : 1                     |
| Bit diameter               | 8-10-15-20 cm              |
| Sound pressure/power level | 100/108 dB(A)              |
| Lh/rh vibration level      | 13.5/13.5 m/s <sup>2</sup> |
| Weight without bit         | 9.1 kg                     |





Air to keep your outdoor spaces clean, from the garden to the drive: a solution for home users and professionals alike.

## Technology and comfort

Silent, lightweight and easy to use, **Oleo-Mac** blowers and vacuum cleaners are valid, reliable work companions. Powerful and efficient tools designed to clear leaves, olives, hazelnuts and small debris from any surface: in private settings, to clear small areas (handheld blowers), and for professional use on farmland and in large urban spaces (backpack blowers).



"AlwaysOn" power switch: returns automatically to the ON position after each stop, thus eliminating the risk of flooding the carburettor.



Rubber covered handle ensures a firm and comfortable grip on the machine, while at the same time isolating the hands of the operator from vibrations.



Vacuumed material is chopped up by a rotor with 4 steel blades (standard feature) to reduce the volume when inside the bag, down to 1/12 of original size, so that more work can be done with fewer emptying stops.



Double bladed fan delivers high performance in terms of air flow and velocity, while increasing the cooling capacity of the engine.



Paper air filter with increased capacity and filtration surface area; allows efficient and quick maintenance and is more durable.



Digital coil with variable ignition advance and flywheel with new fin geometry: engine guaranteed to run more smoothly, and cooling rendered more efficient.









# BV series handheld

Ideal for clearing the garden of leaves and other small debris or grass cuttings, the handheld blower is designed to get the job done quickly and efficiently. Model **BV 250** combines high performance with perfect balance, while its light weight enables prolonged use without fatigue. The rubber-clad handgrip and professional anti-vibration system ensure maximum operator comfort at all times. Simple and practical to use, it enables even inexperienced users to operate the machine easily and in total safety.



Star-shaped metal shredder blade. Mounted on the standard fan, the shredder blade is invaluable when the tool is used with the vacuum cleaner kit (optional).



'S' style scroll assembly: eliminates twisting force, guaranteeing enhanced comfort during prolonged use of the machine.



Telescopic tube that allows the machine to be stored in confined spaces, without the use of tools.



Vacuum cleaner kit (optional): comprising a side handgrip with integrated anti-shock system, a suction tube, an elbow tube and a collection bag, it transforms the blower into a vacuum cleaner for collecting leaves, grass and small pruning debris.



## BV 250

|  |                       |
|--|-----------------------|
| Power                                  | 1.3 HP - 1.0 kW       |
| Displacement                           | 25.4 cm <sup>3</sup>  |
| Max air volume                         | 720 m <sup>3</sup> /h |
| Max air speed                          | 70 m/sec              |
| Collection bag capacity                | 36 L                  |
| Sound pressure/power level             | 96.5/104 dB(A)        |
| Vibration level                        | 6.3 m/s <sup>2</sup>  |
| Dry weight, without blower tube        | 3.7 kg                |
| Single harness with double snap hook   | optional<br>61140011R |
| Conversion kit from blower to vacuum   | optional<br>56602004  |
| Blower tube with duckbill style nozzle | standard              |



# BV series backpack



Backpack blowers are designed for use in rural areas, for clearing spaces such as farmyards and forecourts, and in the city, for clearing parks, sports grounds, flowerbeds and roads. They are also recommended for moving and compacting fruit and other produce as it falls from the tree. Low weight plus high air velocity and air delivery volume mean these tools can guarantee practicality, power and high performance.



Conversion kit from blower to mistblower (BV 163).

56022030

Dusting kit for mistblower (BV 163).

56022027



Two air delivery nozzles supplied as standard: rectangular/round section, both equipped with hemispherical support so the tube can rest on the ground on level terrain to reduce operator fatigue (BV 901).



## BV 163

## BV 901

|   | BV 163                 | BV 901                 |
|---|------------------------|------------------------|
| Power                                   | 4.5 HP - 3.3 kW        | 5.0 HP - 3.6 kW        |
| Displacement                            | 61.3 cm <sup>3</sup>   | 77 cm <sup>3</sup>     |
| Max. air volume                         | 1200 m <sup>3</sup> /h | 1645 m <sup>3</sup> /h |
| Max. air speed (with terminal)          | 90 m/sec               | 90 m/sec               |
| Fuel tank capacity                      | 2.1 L                  | 2.3 L                  |
| Sound pressure/power level              | 101/109 dB(A)          | 103/105 dB(A)          |
| Vibration level                         | < 3.3 m/s <sup>2</sup> | < 2.5 m/s <sup>2</sup> |
| Dry weight, without blower tube         | 9.4 kg                 | 10.4 kg                |
| Air delivery nozzle rectangular section | optional<br>CFI2412201 | standard               |
| Air delivery nozzle circular section    | optional<br>CFI2412301 | standard               |
| Air delivery nozzle adapter             | optional<br>56520188R  | standard               |



Cleaning anywhere,  
in all conditions:  
cleanliness and hygiene take  
centre stage with **Oleo-Mac**  
high-pressure washers.

## Technology and comfort

Combining the power of water and pressure produces amazing results. **Oleo-Mac** high-pressure washers are technologically advanced machines designed to clean and sanitise all types of surfaces. While the cold water high-pressure washers are perfect for cleaning duties around the home, the hot-water models are more suitable for use in industrial surroundings or for cleaning very large areas, including courtyards and covered walkways.



Axial 3-piston pump with thermal protection.



Water suction quick fitting.



Easy transport thanks to large sized wheels.



Practical handle for easier movement.



Removable detergent tank with externally visible liquid level.



Practical storage recesses to ensure accessories are always in easy reach.











# Cold water

The range of cold water high-pressure washers meets the needs of home users engaged in either occasional or intensive cleaning activities. These machines are designed to assist with cleaning of areas outside the home, in the garden, and of objects and vehicles. Packed with features for different types of use, these machines incorporate several devices aimed at maximising user comfort such as the large wheels for ease of transport and the generously sized recesses for stowing accessories and the power cable.



Easy transport thanks to large size wheels.



Practical handle for easier movement.



Removable detergent tank with externally visible liquid level.



Practical recesses to ensure accessories are always in easy reach.



Only available in certain markets

## PW 115 C

## PW 125 C

|                    |  |  |
|--------------------|--|--|
| Pressure           | 125 bar  | 150 bar  |
| Flow rate          | 360 L/h  | 500 L/h  |
| Rated power        | 1.75 kW (230 V/50 Hz)  | 2.35 kW (230 V/50 Hz)  |
| Pump               | aluminium  | aluminium  |
| Standard equipment | gun with protection lance with nozzle head fitting<br>adjustable nozzle head<br>rotary nozzle head<br>detergent nozzle head<br>hose reel<br>8 m, thermoplastic<br>built-in detergent tank<br>fixed brush | gun with protection lance with nozzle head fitting<br>adjustable nozzle head<br>rotary nozzle head<br>detergent nozzle head<br>hose reel<br>8 m, thermoplastic<br>integral detergent tank<br>fixed brush |

# Cold water



Easy transport thanks to large size wheels.



Practical handle for easier movement.



Easily removable integrated detergent tank.



Hose reel at top for practical hose management.



Only available  
in certain markets

**PW 140 C**

**PW 150 C**

|                    |  |  |
|--------------------|--|--|
| Pressure           | 140 bar  | 150 bar  |
| Flow rate          | 400 L/h  | 450 L/h  |
| Rated power        | 2.1 kW (230 V/50 Hz)   | 2.2 kW (230 V/50 Hz)   |
| Pump               | aluminium  | brass  |
| Standard equipment | gun with protection lance with nozzle head fitting<br>adjustable nozzle head<br>rotary nozzle head<br>detergent nozzle head<br>hose reel<br>8 m, thermoplastic<br>built-in detergent tank<br>fixed brush | gun with protection lance with adjustable nozzle head (Securifix)<br>foaming lance<br>hose reel<br>8 m thermoplastic hose<br>fixed brush |



# Cold water



Triplex pump with axial pistons arranged vertically. Brass pump head.



Practical housing of lance gun.



Easy transport thanks to large size wheels (Ø 250 mm).



Self-priming pump and petrol engine, for jobs in places lacking an electrical power outlet (**PWX 200 C**).



Only available in certain markets

**PW 175 C**

**PW 190 C**

**PWX 200 C**

|                    |  |  |   |
|--------------------|--|--|---|
| Pressure           | 150 bar  | 160 bar  | 200 bar   |
| Flow rate          | 510 L/h  | 600 L/h  | 720 L/h   |
| Rated power        | 2.4 kW (230 V/50 Hz)   | 2.9 kW (230 V/50 Hz)   | -   |
| Rated power        | -  | -  | 6 HP  |
| Pump               | brass  | brass  | brass, self-priming with control valve                              |
| Standard equipment | gun with protection<br>angled lance with adjustable nozzle<br>8 m rubber hose<br>built-in detergent tank | gun with protection<br>angled lance with adjustable nozzle<br>angled lance with swivel nozzle<br>hose reel<br>12 m rubber hose<br>built-in detergent tank<br>fixed brush | gun with protection<br>lance with detergent head<br>8 m rubber hose |



# Hot water



Hot water high-pressure washer models are essential for cleaning activities on extensive areas such as courtyards and covered walkways. In industrial settings these machines are ideal for cleaning large areas of flooring and for all situations calling for the cleaning and sanitising power of hot water.



Triplex pump with axial pistons arranged horizontally with the pump at the bottom of the machine. Brass head.



Ergonomic handgrip for practical operation, with removable handle for easier transport (**PW 250 HC**).



Double switch to select hot or cold water (**PW 250 HC**).



Water temperature control thermostat (**PW 300 HC**).



Only available  
in certain markets








## PW 250 HC

## PW 300 HC

|                       |   |  |
|-----------------------|---|--|
| Pressure              | 150 bar   | 150 bar  |
| Flow Rate             | 480 L/h   | 540 L/h  |
| Engine power          | 2.3 kW (230 V/50 Hz)  | 2.7 kW (230 V/50 Hz)   |
| Pump                  | brass   | brass  |
| Hot water temperature | 60°C (max 90°C)   | 60°C (max 90°C)  |
| Standard equipment    | gun with protection<br>angled lance with protection<br>foaming lance<br>8m rubber hose<br>built-in diesel tank<br>hot/cold water selector | gun with protection<br>lance with detergent head<br>hose reel<br>10 m rubber hose<br>built-in detergent tank<br>built-in diesel tank<br>temperature control thermostat |



# Accessories

|  |                                | Part number | Machines |          |          |          |          |          |           |           |           |
|--|--------------------------------|-------------|----------|----------|----------|----------|----------|----------|-----------|-----------|-----------|
|  |                                |             | PW 115 C | PW 125 C | PW 140 C | PW 150 C | PW 175 C | PW 190 C | PWX 200 C | PW 250 HC | PW 300 HC |
| <b>Gun</b><br>Gun with protection.   |                                |             |          |          |          |          |          |          |           |           |           |
|   | Gun                            | 68500059    |          | •        | •        |          |          |          |           |           |           |
|  |                                | 68500029    |          |          |          |          | •        | •        |           |           |           |
|  |                                | 68500030    |          |          |          |          |          |          | •         |           |           |
|  |                                | 68500031    |          |          |          |          |          |          |           | •         | •         |
|  |                                | 68500078    |          |          |          | •        |          |          |           |           |           |
| <b>Lance with nozzle head fitting</b><br>Lance designed to accept adjustable or rotating nozzle heads.                                   |                                |             |          |          |          |          |          |          |           |           |           |
|   | Lance with nozzle head fitting | 68500061    | •        | •        | •        |          |          |          |           |           |           |
|  |                                | 68500071    |          |          |          |          |          |          |           | •         |           |
| <b>Foaming lance</b><br>Lance with integral detergent dispenser for more efficient washing.  |                                |             |          |          |          |          |          |          |           |           |           |
|    | Foaming lance                  | 68500063    | •        | •        | •        |          |          |          |           |           |           |
|  |                                | 68500049    |          |          |          |          | ○        | ○        |           | •         |           |
|  |                                | 68500050    |          |          |          |          |          |          | ○         |           |           |
|  |                                | 68500051    |          |          |          |          |          |          |           |           | ○         |
| <b>Floor wash lance</b><br>This tool is specially designed for washing floors and surfaces on which projected spray must be avoided.     |                                |             |          |          |          |          |          |          |           |           |           |
|   | Floor wash lance               | 68500014A   |          |          |          | ○        | ○        |          |           | ○         |           |
|  |                                | 68500004A   |          |          |          |          | ○        | ○        |           |           | ○         |
|  |                                | 68500070    | ○        | ○        | ○        |          |          |          |           |           |           |
| <b>Rotojet lance</b><br>Increases effectiveness thanks to the pressure-generated turbine effect.   |                                |             |          |          |          |          |          |          |           |           |           |
|   | Rotojet lance                  | 68500046    |          |          |          |          | ○        |          |           |           |           |
|  |                                | 68500047    |          |          |          |          |          | •        | ○         |           |           |
|  |                                | 68500013A   |          |          |          |          |          |          |           |           | ○         |
|  |                                | 68500080    |          |          |          | •        |          |          |           |           |           |
|  |                                | 68500073    |          |          |          |          |          |          |           | ○         |           |
| <b>Lance with adjustable nozzle</b><br>Allows the force of the water jet to be adjusted to match requirements.                           |                                |             |          |          |          |          |          |          |           |           |           |
|   | Lance with adjustable nozzle   | 68500036    |          |          |          |          | •        |          |           |           |           |
|  |                                | 68500037    |          |          |          |          |          | •        |           |           |           |
|  |                                | 68500038    |          |          |          |          |          |          | •         |           |           |
|  |                                | 68500039    |          |          |          |          |          |          |           |           | •         |
|  |                                | 68500079    |          |          |          | •        |          |          |           |           |           |
| <b>Sandblast lance</b><br>Highly practical and easy to use, the sandblast lance removes rust, old paint films, and accumulated deposits. |                                |             |          |          |          |          |          |          |           |           |           |
|   | Sandblast lance                | 68500001A   |          |          |          | ○        | ○        | ○        | ○         | ○         |           |
|  |                                | 68500009A   |          |          |          |          |          |          |           |           | ○         |


# Accessories



| Part number | Machines |          |          |          |          |          |           |           |           |
|-------------|----------|----------|----------|----------|----------|----------|-----------|-----------|-----------|
|             | PW 115 C | PW 125 C | PW 140 C | PW 150 C | PW 175 C | PW 190 C | PWX 200 C | PW 250 HC | PW 300 HC |


## Adjustable nozzle head

Allows the force of the water jet to be adjusted to match requirements.

|   |                        |          |   |   |   |  |  |  |  |  |  |
|---|------------------------|----------|---|---|---|--|--|--|--|--|--|
|  | Adjustable nozzle head | 68500069 | ● |   |   |  |  |  |  |  |  |
|   |                        | 68500068 |   | ● |   |  |  |  |  |  |  |
|   |                        | 68500076 |   |   | ● |  |  |  |  |  |  |


## Rotary nozzle head

Increases effectiveness thanks to the pressure-generated turbine effect.

|   |                    |          |   |   |   |  |  |  |  |  |  |
|---|--------------------|----------|---|---|---|--|--|--|--|--|--|
|  | Rotary nozzle head | 68500062 | ● | ● |   |  |  |  |  |  |  |
|   |                    | 68500077 |   |   | ● |  |  |  |  |  |  |


## Brush

Driven by the pressure of the water jet. Made of natural bristles, the brushes are designed for cleaning delicate surfaces.

|  |                           |           |   |   |   |   |   |   |   |   |   |
|--|---------------------------|-----------|---|---|---|---|---|---|---|---|---|
|  | Rotary brush              | 68500065  | ○ | ○ | ○ |   |   |   |   |   |   |
|  |                           | 68500002A |   |   |   | ○ | ○ | ○ |   | ○ | ○ |
|  | Professional rotary brush | 68500010A |   |   |   |   |   |   | ○ |   | ○ |
|  | Fixed brush               | 68500064  | ● | ● | ● |   |   |   |   |   |   |
| 68500003A  |                           |           |   |   | ● | ○ | ● | ○ |   |   |   |


## High-pressure hose

Flexible and strong, this hose connects the unit to the gun with protection.

|   |                    |          |  |  |  |  |   |   |   |   |   |
|---|--------------------|----------|--|--|--|--|---|---|---|---|---|
|  | High-pressure hose | 68500023 |  |  |  |  | ● |   |   | ● |   |
|   |                    | 68500024 |  |  |  |  |   | ● |   |   |   |
|   |                    | 68500025 |  |  |  |  |   |   | ● |   |   |
|   |                    | 68500026 |  |  |  |  |   |   |   |   | ● |


## Extension hose

A pressure hose for the maximum range of action.

|   |                    |           |   |   |   |   |   |  |   |   |   |
|---|--------------------|-----------|---|---|---|---|---|--|---|---|---|
|  | 6 m extension hose | 68500067  | ○ | ○ | ○ | ○ |   |  |   |   |   |
|   |                    | 68500060  | ● | ● | ● | ● |   |  |   |   |   |
|   |                    | 68500012A |   |   |   |   | ○ |  |   |   |   |
|   | 8 m extension hose | 68500006A |   |   |   |   |   |  | ○ |   |   |
|   |                    | 68500052  |   |   |   |   |   |  | ○ |   | ○ |
|   |                    | 68500075  |   |   |   |   |   |  |   | ○ |   |


## Drain clearing attachment

Unblocks drains and pipelines rapidly.

|   |                                |           |   |   |   |   |   |   |  |   |   |
|---|--------------------------------|-----------|---|---|---|---|---|---|--|---|---|
|  | 8 m drain clearing attachment  | 68500074  |   |   |   | ○ |   |   |  | ○ |   |
|   | 10 m drain clearing attachment | 68500066  | ○ | ○ | ○ |   |   |   |  |   |   |
|   | 15 m drain clearing attachment | 68500005A |   |   |   |   | ○ | ○ |  |   | ○ |
|   | 25 m drain clearing attachment | 68500011A |   |   |   |   | ○ | ○ |  |   | ○ |

## Nozzle for drain clearing attachment

Compatible with specific models based on flow rate in litres.

|   |                                     |          |  |  |  |  |   |   |  |   |   |
|---|-------------------------------------|----------|--|--|--|--|---|---|--|---|---|
|  | Drain clearing nozzle (6-9 L/min)   | 68500056 |  |  |  |  | ○ | ○ |  | ○ | ○ |
|   | Drain clearing nozzle (10-15 L/min) | 68500057 |  |  |  |  | ○ | ○ |  | ○ | ○ |

## Water filter kit

Water filter for protecting the pump and nozzles from impurities in the water.

|   |                  |           |  |  |  |  |   |   |   |  |   |
|---|------------------|-----------|--|--|--|--|---|---|---|--|---|
|  | Water filter kit | 68500016A |  |  |  |  | ○ | ○ | ○ |  | ○ |
|---|------------------|-----------|--|--|--|--|---|---|---|--|---|

● standard equipment ○ compatible tools





The maximum loading performance and exceptional stability: **Oleo-Mac** transporters fear no rivals.

## Technology and comfort

Ideal for use in building construction and agriculture, **Oleo-Mac** transporters are designed to carry bulky and heavy loads, also over steep and uneven terrain. Designed in compliance with the highest quality standards, these machines offer optimum performance in terms of load capacity, reliability through time, and safety. The load capacity ranges from 450 to 550 kg, allowing these machines to be used in rural surroundings, in the garden and around the farm or on building sites.



Telescoping flat body optimises transport operations, even with bulky loads.



Wide crawler tracks ensure solid grip on any type of terrain.



Tight turning radius for ease of manoeuvre on building sites or in greenhouses and vineyards.



Rugged undercarriage with track tensioner sprocket, perfectly balanced for correct weight distribution and excellent grip on all types of terrain.



Rear metal guard to maximize operator safety.



Rugged steel chassis. A low centre of gravity provides optimal stability during the job, also when working on steep gradients. The high position of the engine and transmission facilitates maintenance tasks.





# CR series

Compact and manoeuvrable, small transporters facilitate the transport of materials of various types, from firewood to fruit. Thanks to their features, these machines are perfect for use in rural areas for transporting loads in confined spaces and on sloping terrain. Their tight turning radius (700 mm), not only makes the transporters easier to manoeuvre, it also helps protect the surrounding vegetation during transit of the machine.



Handlebar-mounted gear lever.



Speed selection control lever.



Manual dump with automatic locking system.



High sides kit to facilitate transportation of bulky loads (compatible).

68722010



## CR 340 H

## CR 340 K

|                        |  |  |
|------------------------|--|--|
| Displacement           | 166 cm <sup>3</sup>  | 166 cm <sup>3</sup>  |
| Engine make/model      | Honda GCVx 170 OHV   | Emak K 655 OHV   |
| Gearbox                | 2 + 2  | 2 + 2  |
| Speed                  | 1 <sup>st</sup> : 1.60 - 2 <sup>nd</sup> : 3.60<br>1 <sup>st</sup> Rev: 1.40 - 2 <sup>nd</sup> Rev: 3.40 | 1 <sup>st</sup> : 1.60 - 2 <sup>nd</sup> : 3.60<br>1 <sup>st</sup> Rev: 1.40 - 2 <sup>nd</sup> Rev: 3.40 |
| Lift/dump              | manual   | manual   |
| Minimum turning radius | 700 mm   | 700 mm   |
| Dump angle             | 45°  | 45°  |
| Loading deck/Payload   | telescoping/350 kg   | telescoping/350 kg   |
| Body length            | 93 - 106 cm  | 93 - 106 cm  |
| Body width             | 52 - 90 cm   | 52 - 90 cm   |
| Overall dimensions     | 153x60x90 cm   | 153x60x90 cm   |
| Weight                 | 140 kg   | 140 kg   |



# CR series



The professional transporters are designed in compliance with stringent quality standards to provide elevated performance in terms of load capacity and the maximum reliability through time. These machines are ideal for easy manoeuvring around building sites or in greenhouses and vineyards. Thanks to the wide tracks on these machines, the operator can travel in safety also on the steepest slopes, with perfect grip of the machine on all types of terrain.



Independent 2100 rpm PTO.



Steering with independently controlled release and brakes.



Expandable loading deck for transporting even very bulky loads.



High sides kit to facilitate transportation of bulky loads (compatible).

**CR 450/68722003**

**CR 560/68722004**



## CR 450

## CR 560

|                        |   |  |
|------------------------|---|--|
| Displacement           | 163 cm <sup>3</sup><br>182 cm <sup>3</sup>  | 163 cm <sup>3</sup><br>182 cm <sup>3</sup>   |
| Engine make/model      | Honda GX 160 OHV<br>Emak K 800 H  | Honda GX 160 OHV<br>Emak K 800 H   |
| Gearbox                | 3 + 1R  | 4 + 2R   |
| Speed                  | 1 <sup>st</sup> : 1.88 - 2 <sup>nd</sup> : 4.13 - 3 <sup>rd</sup> : 7.00<br>Rev: 1.86 | 1 <sup>st</sup> : 1.88 - 2 <sup>nd</sup> : 3.16 - 3 <sup>rd</sup> : 4.13 - 4 <sup>th</sup> : 7.00<br>1 <sup>st</sup> Rev: 1.86 - 2 <sup>nd</sup> Rev: 3.13 |
| Lift/dump              | manual  | manual   |
| Minimum turning radius | 700 mm  | 700 mm   |
| Dump angle             | 50°   | 50°  |
| Loading deck/Payload   | telescoping/450 kg  | telescoping/550 kg   |
| Body length            | 93 - 106 cm   | 100 - 118 cm   |
| Body width             | 56 - 94 cm  | 65 - 110 cm  |
| Overall dimensions     | 167x65x102 cm   | 175x73x102 cm  |
| Weight                 | 180 kg  | 200 kg   |



# Power generators, always ready for any eventuality.

## Technology and comfort

Power generators consist of an internal combustion engine combined with an electric generator and produce AC or DC power independently. They can be used in the event of mains grid outages, disruptions or blackouts, and are useful for providing power where none is available. They are handy devices for outdoor leisure activities, for those who work in the commercial sector (i.e. stand construction and events) or for users who need to power electrical appliances such as high-pressure washers, electric saws or trimmers in isolated environments far from mains outlets. Choose between open set generators, available with power ratings up to 6 kW, or silent inverter generators, i.e. with an enclosed and soundproofed engine, which are particularly suitable for public places, outdoor activities near to people or for use with boats, motorhomes or on campsites.



AVR (Automatic Voltage Regulator) device supplied as standard, which maintains a constant voltage level to the connected equipment, thereby preventing damage from power surges.



Muffler sound insulation to reduce noise, waterproof design and robust, robotically welded frame ensure high performance.



Emak OHV engines offer reduced fuel consumption, for long running times between fuel refills.



Engine with electric starter, available for the **PGE 65E DCS**, **PGE 48i S** and **PGE 80E-3 DCS** models, which ensures effortless starting.



The fuel level gauge is located in a prominent position, for quick reading of the petrol level in the tank.



Handles and wheels, supplied as standard on the **PGE 65 DCS**, **PGE 65E DCS**, **PGE 80E-3 DCS** and **PGE 48i S** models, make it easy to transport.





# Up to 3 kW

The **PGE 25 DCS** and **PGE 35 DCS** generators ensure independence from the mains grid in all sorts of situations, such as emergencies, blackouts, working out in the open in natural areas, or holidaying in isolated locations. They can handle loads up to 2.8 kW and are therefore the ideal tool if you want to become independent from stationary power sources: ideal for work equipment or leisure pursuits, they have a large fuel tank that ensures a running time of up to 15 hours.



Equipped with a double AC 220V AC outlet and one DC 12V outlet.



The fuel level gauge is located in a prominent position, for quick reading of the petrol level in the tank.



Sturdy steel frame to ensure maximum strength and protection when on the move.



Engine positioned on rubber anti-vibration mounts to minimise vibrations during operation.



Only available in certain markets

## PGE 25 DCS

## PGE 35 DCS

|                         |                     |                     |
|-------------------------|---------------------|---------------------|
| Effective/maximum power | 2.0 kW/2.2 kW       | 2.8 kW/3.1 kW       |
| Engine model            | K 825 HG OHV        | K 850 HG OHV        |
| Engine displacement     | 196 cm <sup>3</sup> | 212 cm <sup>3</sup> |
| Fuel tank capacity      | 15 L                | 15 L                |
| Oil reservoir capacity  | 0.6 L               | 0.6 L               |
| Runtime (50% power)     | 15 hours            | 15 hours            |
| Frequency               | 50 Hz               | 50 Hz               |
| Voltage                 | 230 V               | 230 V               |
| AC power quality (THD)  | G1                  | G1                  |
| Power factor            | 1                   | 1                   |
| DC voltage              | 12 V                | 12 V                |
| DC current              | 8.3 A               | 8.3 A               |
| Starting                | manual              | manual              |
| Noise emissions         | < 72 db(A)          | < 74 db(A)          |
| Weight                  | 42 kg               | 47 kg               |
| Dimensions (LxWxH)      | 605x490x495 mm      | 605x490x495 mm      |

# Up to 6 kW



These models are designed for more intensive use, where the power drawn by connected loads exceeds 5 kW. Models **PGE 65 DCE** and **PGE 65E DCS** are equipped with three 220V AC (alternating current) sockets and one 12V DC (direct current) socket. They have 25 L fuel tanks to cope with continuous use over a period of up to 8 hours. Model **PGE 80-E DCS** can also supply three-phase current at 400V, making it suitable for industrial or craft business applications that require high power, such as powering machine tools, logsplitters or welding machines.



Emak OHV engines offer reduced fuel consumption, for long running times between fuel refills.



The fuel level gauge is located in a prominent position, for quick reading of the petrol level in the tank.



Carry handles and sturdy wheels make it easy to transport.



Only available  
in certain markets

|                         | PGE 65 DCS          | PGE 65E DCS         | PGE 80E-3 DCS                               |
|-------------------------|---------------------|---------------------|---|
| Effective/maximum power | 5.0 kW/5.5 kW       | 5.0 kW/5.5 kW       | 6.0 kW/6.5 kW                               |
| Engine model            | K 1200 HG OHV       | K 1200 HG OHV       | K 1250 HG OHV                               |
| Engine displacement     | 389 cm <sup>3</sup> | 389 cm <sup>3</sup> | 420 cm <sup>3</sup>                         |
| Fuel tank capacity      | 25 L                | 25 L                | 25 L  |
| Oil reservoir capacity  | 1.1 L               | 1.1 L               | 1,1 L                                       |
| Runtime (50% power)     | 9 hours             | 9 hours             | 8 hours                                     |
| Frequency               | 50 Hz               | 50 Hz               | 50 Hz                                       |
| Voltage                 | 230 V               | 230 V               | 230 V (single phase)<br>400 V (three-phase) |
| AC power quality (THD)  | G1                  | G1                  | G1  |
| Power factor            | 1                   | 1                   | 1/0.8                                       |
| DC voltage              | 12 V                | 12 V                | 12 V  |
| DC current              | 8.3 A               | 8.3 A               | 8.3 A                                       |
| Starting                | manuale             | manual/electric     | manual/electric                             |
| Noise emissions         | < 76 db(A)          | < 76 db(A)          | < 78 db(A)                                  |
| Weight                  | 80.5 kg             | 82.5 kg             | 85 kg                                       |
| Dimensions (LxWxH)      | 790x560x585 mm      | 790x560x585 mm      | 790x560x585 mm                              |



# Inverter

Inverter technology makes these models particularly suitable for use with delicate electronic equipment containing microprocessors, such as computers, televisions, digital devices, and devices that require a stable, high-quality power supply. The soundproofed structure considerably reduces noise emissions, making them ideal for use on campsites and in open areas near to people.



Output with USB socket for charging electronic devices.



Low-consumption OHV engines with an insulated muffler that considerably reduces perceived noise.



Model **PGE48i S** equipped with 2 large 140 mm wheels and foldable handle, which make it easy to transport.



Possibility of connecting a second generator to double the maximum output power (cable supplied as standard).



Only available in certain markets

**PGE 23i S**

**PGE 48i S**

|                         | <b>PGE 23i S</b>   | <b>PGE 48i S</b>    |
|-------------------------|--------------------|---------------------|
| Effective/maximum power | 1.8 kW/2.3 kW      | 3.5 kW/4.8 kW       |
| Engine model            | K 300 HG OHV       | K 875 HG OHV        |
| Engine displacement     | 79 cm <sup>3</sup> | 224 cm <sup>3</sup> |
| Fuel tank capacity      | 3.7 L              | 9.5 L               |
| Oil reservoir capacity  | 0.4 L              | 0.6 L               |
| Runtime (50% power)     | 6.3 hours          | 6.5 hours           |
| Frequency               | 50/60 Hz           | 50/60 Hz            |
| Voltage                 | 220/230/240 V      | 220/230/240 V       |
| AC power quality (THD)  | < 1.5%             | < 1.5%              |
| Power factor            | 1                  | 1                   |
| DC voltage              | 12 V               | 12 V                |
| DC current              | 8.3 A              | 8.3 A               |
| Starting                | manual             | manual/electric     |
| Noise emissions         | < 60 db(A)         | < 57 db(A)          |
| Weight                  | 17 kg              | 38 kg               |
| Dimensions (LxWxH)      | 430x285x455 mm     | 520x380x510 mm      |



# Charging station



The **PSi 1650** portable charging station can be used to recharge various electronic devices or power small appliances, such as hairdryers, ovens and electronic equipment such as video projectors and laptops, both at home and outdoors, during trips or on campsites. The practical handles make it easy to transport, while the charging station's compact dimensions enable it to be stored in a car, motorhome or other confined space. It is equipped with multiple USB sockets (three Type-A and two Type-C), three 220 V alternating current outputs and one 12 V direct current output. It can be recharged using a wall socket (220 V) or a car charger (12 V), with both connections included as standard.



LFP battery (lithium iron phosphate, 1024 kWh capacity) with overheat protection, supports up to 3000 charging cycles.



The display shows various information such as remaining charge status, instantaneous load, or input charging power.



LED light on the front, easy to operate, for illuminating the surrounding environment.



Possibility to charge at 12V with car socket (cable supplied) in combination with normal charging with 220V socket.



## PSi 1650

|                       |                |
|-----------------------|----------------|
| Capacity              | 1024 Wh        |
| Power                 | 1650 W         |
| Voltage               | 220 V          |
| Frequency             | 50 Hz          |
| Charging time (220 V) | 1.5 hours      |
| Input AC current      | 1200 Watt      |
| AC 220 V socket       | n. 3           |
| USB Type-A socket     | n. 3           |
| USB Type-C socket     | n. 2           |
| DC 12 V socket        | n. 1           |
| Weight                | 13 kg          |
| Dimensions (LxWxH)    | 336x286x263 mm |





Nothing but the best consumables to keep your machines running smoothly.





# Fuels, Lubricants and various Accessories





# Fuels, Lubricants

## Alkylate petrol for 4-stroke engines and Special mixture for 2-stroke engines

**OLEO-Alkylate** is a highly refined petrol specifically formulated for 4-stroke engines. **OLEO-Mix Alkylate PLUS** is a mixture with additive for 2-stroke engines made from alkylated petrol and biodegradable\* synthetic oil compliant with API TC, JASO FC and ISO L-EGD standards. This fuel is premixed and hence ready for use.

\* Tested to CEC-L-33-A-93 (80% in 21 days) and OECD 301E (64%).

These fuels contain 10 times less harmful substances than traditional petrol and less than 0.1% benzene and other harmful aromatic hydrocarbons and are therefore less hazardous for health and for the environment. The fuels guarantee: high performance and longer engine life. Extremely pure and stable, the fuels have a long shelf life (up to 4 years in sealed containers with no loss of performance).

**Not available for export**



|  |                 |
|--|-----------------|
| OLEO-Mix Alkylate – 5 l container        | <b>3555004A</b> |
| OLEO-Mix Alkylate PLUS – 5 l metal can   | <b>3555018A</b> |
| EMAK-Mix Alkylate PLUS – 18 l metal drum | <b>3355007</b>  |
| OLEO-Alkylate – 5 l container            | <b>3555014A</b> |
| OLEO-Alkylate – 5 l container            | <b>3555030</b>  |

## PROSINT 2 EVO special oil for 2-stroke engines

Special synthetic ester-based lubricant, expressly formulated for high-performance 2-stroke engines. Special oil for use at 2% (50:1). Effective lubrication at high temperatures. Low emissions, reduced wear and clean engine. Exceeds API TC, JASO FC and ISO-L-EGD specifications. Its pre-fluidified composition makes preparing the mixture easy. Colour: dark red. Pack: carton 20 pcs x 100 ml or 12 pcs x 1 l or 4 pcs x 5 l.



|                              |                   |
|------------------------------|-------------------|
| 100 ml bottle                | <b>001001361A</b> |
| 1 l container                | <b>001001362B</b> |
| 1 l container with dispenser | <b>001001407A</b> |
| 5 l container                | <b>001001405B</b> |
| 200 l drum                   | <b>3555016A</b>   |

## EUROSINT 2 EVO special oil for 2-stroke engines

Special oil with 100% synthetic esters. Used at 2% (50:1), this oil is ideal for the lubrication of competition or high performance two-stroke motors. High-resistance lubricating film at high temperatures and excellent anti-wear characteristics. Particularly indicated for exhaust catalysts by virtue of its low smokiness and ash content. Exceeds API TC, JASO FC/FD and ISO-L-EGD specifications. Colour: dark blue. Pack: box 20 + 20 pcs x 100 ml or 12 pcs x 1 l or 4 pcs x 5 l.



|                              |                 |
|------------------------------|-----------------|
| 100 ml bottle                | <b>3555026A</b> |
| 1 l container                | <b>3555027A</b> |
| 1 l container with dispenser | <b>3555028A</b> |
| 5 l container                | <b>3555017A</b> |

## Special oil for 4-stroke engines - SAE 10 W - 30

Highly refined SAE 10 W - 30 grade mineral oil, specifically formulated and developed for 4-stroke air- and water-cooled engines designed for gardening sector applications. Mineral type engine oil containing a special combination of additives that give excellent detergent/dispersant, antioxidant, anticorrosive, and anti-wear properties. Exceeds API SG/CE, MIL - L - 2104 D, MIL - L - 46152 C specifications. Pack: carton 16 pcs x 600 ml. Minimum order: 1 carton.



|                  |                   |
|------------------|-------------------|
| 600 ml container | <b>001001550A</b> |
| 200 l drum       | <b>3555024</b>    |

# Lubricants



## CHAIN LUBE guide bar and chain protector

A compound formulated expressly for the protection of guide bars and chains, based on a balanced blend of oils which are specially resistant to low temperatures. Easily biodegradable. Special additives guarantee appreciable protection against wear and seizure. Good viscosity and pour point. Pack: carton of 12 pcs x 1 l or 4 pieces x 5 l. Minimum order: 1 carton.



|            |          |
|------------|----------|
| 1 l can    | 3555010A |
| 5 l can    | 3555009A |
| 20 l drum  | 3555015  |
| 200 l drum | 3455013  |

## Special grease

Special high quality lithium grease with molybdenum bisulphide for bevel gear pairs, elastic couplings, hedgetrimmer transmissions, earth auger gear reducers. Recommended for use with all mechanical parts subject to high loads. Exceeds ISO 6743-9; DIN 51825 KPF 2K - 30 specifications. Special grease/125 g tube. Pack: carton. Quantity per carton: 24. Minimum order: 2 cartons. Each equipped with dispenser nozzle and slot for display fixture.



|            |            |
|------------|------------|
| 125 g tube | 001000677B |
|------------|------------|

## ADDITIX 2000 EVO special additive for petrol fuels

Special additive ideal for conditioning two-stroke mixture and leaded or unleaded petrol. Prevents deterioration of fuel for at least 12 months and protects against oxidation. Facilitates starting, keeps fuel system clean (up to the intake valves in the case of 4-stroke engines), and protects against rust and corrosion. It also increases the octane rating. The dispersing-detergent agents in the product disperse any traces of water in the fuel. Pack of 24 x 125 ml bottles. Two full doser caps are sufficient for 5 l of petrol.

Not available for export



|               |            |
|---------------|------------|
| 125 ml bottle | 001000972A |
|---------------|------------|

## PRO CLEAN multipurpose concentrated degreasing detergent

Thanks to its active ingredient, a small amount of this product is sufficient to obtain excellent results on the most stubborn dirt. It can be used on various surfaces, such as engines, tools for gardening, agriculture and forestry, and motorcycles. The 1-litre bottle is equipped with a spray head. A 5-litre container is also available, which is the optimal solution for refilling the spray bottles. 1-litre size: pack consists of 6 spray bottles. 5-litre size: pack consists of 4 containers. Minimum order: 1 pack.



|            |            |
|------------|------------|
| 1 l bottle | 3355006A   |
| 5 l can    | 001101222A |



# Sundry Accessories

## 2-stroke mixture/oil hose

Resistant to UV radiation and deterioration caused by petrol. Pack: loose.



|                             |                    |
|-----------------------------|--------------------|
| ø 3.2 x 6.4 mm - length 1 m | <b>3502061R</b>    |
| ø 3 x 5 mm - length 1 m     | <b>005101079AR</b> |

## Starting rope spools

High-strength diamond braided nylon rope for maximum resistance to strain and fraying. Pack: loose.



|                  |                  |
|------------------|------------------|
| ø 2.5 mm - 100 m | <b>3503121</b>   |
| ø 3.0 mm - 100 m | <b>3503015</b>   |
| ø 3.5 mm - 100 m | <b>005101050</b> |
| ø 4.0 mm - 100 m | <b>006101034</b> |

## Fuel/oil can

Fuel/oil can, BAM approved, for transporting in the car; red plastic dual purpose can: 6 l petrol + 3 l oil - professional type with graduated scale. Pack: loose.



|              |                 |
|--------------|-----------------|
| Fuel/oil can | <b>3355004A</b> |
|--------------|-----------------|

## Fuel can

Fuel can, approved for transporting fuel on the road by the SNCH accreditation agency in compliance with the applicable United Nations standard. Equipped with a flexible extension spout for optimal refueling in all conditions and a "level band" for rapid identification of the remaining fuel level; max capacity 5L. Top quality fuel can, suitable for professional and private use. Pack: carton.



|              |                 |
|--------------|-----------------|
| 5 l fuel can | <b>4175169A</b> |
|--------------|-----------------|

## Extension cords to CE - VDE - IMQ standards

Available in various different versions to work easily in the proximity of the home using electric power tools. 250 V/10 A cable 25 m - 3 x 1 mm<sup>2</sup>. Pack: bag.



|   |                   |
|---|-------------------|
| With Italian plug and Schuko receptacle | <b>001000865R</b> |
| Schuko receptacle                       | <b>3044102</b>    |

## Funnel

Plastic funnel complete with filter mesh; protects the engine from impurities in the oil. Pack: bag.



|        |                   |
|--------|-------------------|
| Funnel | <b>003401054R</b> |
|--------|-------------------|

## Combination wrenches

To remove spark plugs. Also features screwdriver tip for chainsaw chain tensioning. Pack: loose.



|                |                  |
|----------------|------------------|
| 19 mm with bar | <b>301000129</b> |
| 17 x 19 mm     | <b>2304009R</b>  |
| 14 x 21 mm     | <b>2304022</b>   |
| 10 x 19 mm     | <b>2304029</b>   |
| 13 x 16 mm     | <b>2304017</b>   |
| 13 x 19 mm     | <b>2304073R</b>  |
| 19 x 21 mm     | <b>66060414</b>  |



# Sundry Accessories



## Spark plugs

A comprehensive range of spark plugs, expertly developed for the full range of high performance 2 and 4 stroke engines. A combination of innovative materials and special manufacturing methods will guarantee optimum starting, efficient combustion and lower fuel consumption, prolonging the life of the engine and other moving parts. In addition, the use of high quality oils like **PROSINT 2 EVO** and **EUROSINT 2 EVO** ensures that there are fewer unburned residues from combustion, signifying improved performance and less maintenance.



| Family               | Model  | 1  | 2            | 3     | TORCH     |       | NGK      |        | CHAMPION |        | ENKER    |         | Quantity  |
|----------------------|--|----|--------------|-------|-----------|-------|----------|--------|----------|--------|----------|---------|-----------|
|                      |  | mm | pitch        | mm    | Code      | Model | Code     | Model  | Code     | Model  | Code     | Model   | Pack pcs. |
| Chainsaws            | GS 371 - GS 411 - GS 451   | 19 | M14 x 1.25mm | 9.5   |           |       | 3055114R | BPMR6A | 3055101R | RCJ-7Y |          |         | 4         |
|                      | GSTH 240 - GSH 40 - GSH 400<br>GSH 51 - GSH 510 - GSH 56 - GSH 560               | 19 | M14 x 1.25mm | 9.5   |           | L8RTF |          |        | 3055104R | RCJ-6Y |          |         | 10        |
|                      | GS 520   | 19 | M14 x 1.25mm | 9.5   |           |       | 3055115R | BPMR7A | 3055104R | RCJ-6Y |          |         | 10        |
|                      | GST 250 - GST 360  | 16 | M10 x 1mm    | 9.5   |           |       | 3055120R | CMR7A  |          |        |          |         | 10        |
|                      | GS 630 - GS 650 - GS 651   | 19 | M14 x 1.25mm | 9.5   |           |       | 3055118R | BPMR8Y |          | RCJ-4  |          |         | 10        |
| Pruners              | PPH 250  | 19 | M14 x 1.25mm | 9.5   |           | L8RTF |          |        | 3055104R | RCJ-6Y |          |         | 10        |
|                      | PPX 271 - PPX 275  | 16 | M10 x 1mm    | 9.5   |           |       | 3055120R | CMR7A  |          |        |          |         | 10        |
| Hedgetrimmers        | BC 241 H - BC 241 HL - BC 241 HC - BC 241 HCL<br>HC 246 P - HC 247 P - HCS 247 P | 16 | M10 x 1mm    | 12.7* |           |       | 3055112R | CMR7H  |          |        |          |         | 10        |
| Blowers              | BV 250   | 16 | M10 x 1mm    | 9.5   |           |       | 3055120R | CMR7A  |          |        |          |         | 10        |
|                      | BV 163   | 19 | M14 x 1.25mm | 9.5   |           |       | 3055118R | BPMR8Y |          |        |          |         | 10        |
|                      | BV 901   | 19 | M14 x 1.25mm | 9.5   |           |       | 3055115R | BPMR7A | 3055104R | RCJ-6Y |          |         | 10        |
| Brushcutters         | BC 400 - BC 530<br>BC 530 MASTER - BCF 530<br>BCF 550 - BC 540 - BCF 540         | 19 | M14 x 1.25mm | 9.5   |           |       | 3055118R | BPMR8Y |          |        |          |         | 10        |
|                      | BCH 25 - BCH 250 - BCH 40<br>BCH 400 - BCH 50 - BCH 500                          | 19 | M14 x 1.25mm | 9.5   |           | L8RTF |          |        | 3055104R | RCJ-6Y |          |         | 10        |
|                      | SPARTA 25  | 19 | M14 x 1.25mm | 9.5   |           |       | 3055114R | BPMR6A | 3055101R | RCJ-7Y | 3055109R | FSC75PR | 4         |
|                      | SPARTA 250   | 19 | M14 x 1.25mm | 9.5   |           |       | 3055118R | BPMR8Y |          | RCJ-4  |          |         |           |
|                      | BC 270 - BC 300  | 16 | M10 x 1mm    | 9.5   |           |       | 3055120R | CMR7A  |          |        |          |         | 10        |
|                      | BC 241 - BCH 310   | 16 | M10 x 1mm    | 12.7* |           |       | 3055112R | CMR7H  |          |        |          |         | 10        |
|                      | 741 - 746 - 753 - 755 MASTER<br>BC 350 - 453 BP ERGO<br>SPARTA 381 - SPARTA 441  | 19 | M14 x 1.25mm | 19    |           |       | 3055115R | BPMR7A | 3055104R | RCJ-6Y |          |         |           |
| Engines EMAK         | K 450 - K 605 - K 655<br>K 805 - K 800   | 21 | M14 x 1.25mm | 19    |           |       |          |        | 3055123R | RN9YC  |          |         | 10        |
|                      | K 300 H  | 21 | M14 x 1.25mm | 12.7  | 3055007R  | E6RTC |          |        |          |        |          |         | 10        |
|                      | K 1250 AVD - K 1450 AVD<br>K 1600 AVD - K 1900 AVD - K 2400 AVD                  | 16 | M14 x 1.25mm | 19    |           |       |          |        | 3055122R | RC12YC |          |         | 10        |
|                      | WP 300   | 19 | M14 x 1.25mm | 9.5   |           |       | 3055118R | BPMR8Y |          | RCJ-4  |          |         | 10        |
| Water Pumps          | SA 30 TLA - SC 33  | 19 | M14 x 1.25mm | 9.5   |           |       | 3055114R | BPMR6A | 3055101R | RCJ-7Y |          |         | 4         |
|                      | AM 163   | 19 | M14 x 1.25mm | 9.5   |           |       | 3055118R | BPMR8Y |          |        |          |         | 10        |
| Backpack Mistblowers | MB 80 - MB 800   | 19 | M14 x 1.25mm | 9.5   |           |       | 3055115R | BPMR7A | 3055104R | RCJ-6Y |          |         | 10        |
|                      | RC 350<br>MH 155 RKS - MH 175 RKS - MH 198 RKS                                   | 21 | M14 x 1.25mm | 19    |           |       |          |        | 3055123R | RN9YC  |          |         | 10        |
| Rotary Tillers       | MTL 51   | 19 | M14 x 1.25mm | 9.5   |           |       | 3055114R | BPMR6A | 3055101R | RCJ-7Y |          |         | 4         |
| Power generators     | PGE 25 DCS - PGE 35 DCS<br>PGE 65 DCS - PGE 65E DCS<br>PGE 80E-3 DCS - PGE 48i S | 21 | M14 x 1.25mm | 19    |           |       |          |        | 3055123R | RN9YC  |          |         | 10        |
|                      | PGE 23i S  | 16 | M10 x 1mm    | 12.7  | L66152480 | A5RTC |          |        |          |        |          |         | 10        |

\* Long thread

Standard

Compatible

Working calmly and efficiently:  
the peace of mind that comes from safety.

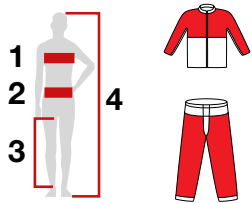
## Size guide

Clothing sizes conversion table

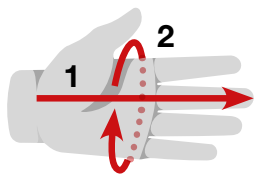
| INTERNATIONAL | XS |    | S  |    | M  |    | L  |    | XL |    | XXL |    | 3XL |    |
|---------------|----|----|----|----|----|----|----|----|----|----|-----|----|-----|----|
| ITALY         | 38 | 40 | 42 | 44 | 46 | 48 | 50 | 52 | 54 | 56 | 58  | 60 | 62  | 64 |
| FRANCE        | 34 | 36 | 38 | 40 | 42 | 44 | 46 | 48 | 50 | 52 | 54  | 56 | 58  | 60 |
| GERMANY       | 42 | 44 | 46 | 48 | 50 | 52 | 54 | 56 | 58 | 60 | 62  | 64 | 66  | 68 |
| SPAIN         | 34 | 36 | 38 | 40 | 42 | 44 | 46 | 48 | 50 | 52 | 54  | 56 | 58  | 60 |
| U.K.          | 24 | 26 | 28 | 30 | 32 | 34 | 36 | 38 | 40 | 42 | 44  | 46 | 48  | 50 |
| U.S.A.        | 24 | 26 | 28 | 30 | 32 | 34 | 36 | 38 | 40 | 42 | 44  | 46 | 48  | 50 |

Lengths in centimetres for each size (chain-resistant jackets and trousers)

| INTERNATIONAL | XS      | S       | M       | L       | XL      | XXL     | 3XL     |         |         |         |         |         |         |
|---------------|---------|---------|---------|---------|---------|---------|---------|---------|---------|---------|---------|---------|---------|
| <b>1</b>      | 84-88   | 95-96   | 100-104 | 108-112 | 116-120 | 124-128 | 132-136 |         |         |         |         |         |         |
| <b>4</b>      | 152-168 | 156-174 | 164-182 | 174-190 | 180-196 | 184-200 | 188-204 |         |         |         |         |         |         |
| <b>2</b>      | 68-72   | 76-80   | 84-88   | 92-96   | 100-104 | 108-112 | 116-120 |         |         |         |         |         |         |
| <b>3</b>      | 78      | 80      | 82      | 84      | 86      | 86      | 86      |         |         |         |         |         |         |
| <b>4</b>      | 152/168 | 156/172 | 160/174 | 164/178 | 170/182 | 174/186 | 178/190 | 180/192 | 182/196 | 184/198 | 186/200 | 188/200 | 190/204 |



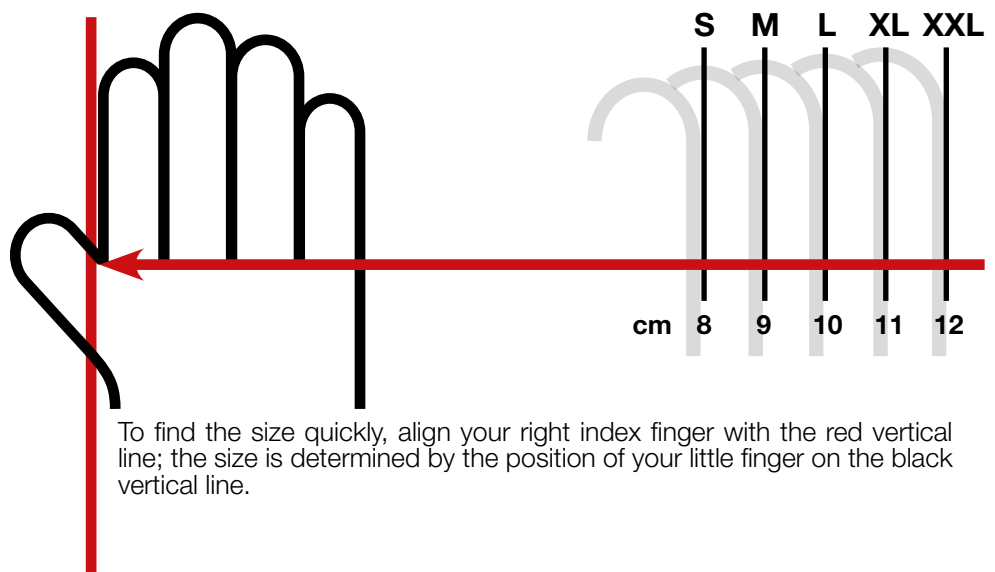
Glove sizes table



| SIZE | 1     | 2          |
|------|-------|------------|
| XS   | 17 cm | 17.5-19 cm |
| S    | 18 cm | 18.5-20 cm |
| M    | 19 cm | 19.5-21 cm |
| L    | 20 cm | 20.5-22 cm |
| XL   | 21 cm | 21-22.5 cm |
| XXL  | 22 cm | 22-23.5 cm |

Use a tape measure to measure the length of the red line and the circumference around the knuckles then find the corresponding glove size in the table.

Easily find your size



To find the size quickly, align your right index finger with the red vertical line; the size is determined by the position of your little finger on the black vertical line.

Boots size table

|          | Forms     | 40   | 41   | 42   | 43   | 44   | 45   | 46   | 47   |
|----------|-----------|------|------|------|------|------|------|------|------|
| <b>1</b> | Length cm | 26.8 | 27.5 | 28.2 | 28.9 | 29.6 | 30.3 | 31   | 31.7 |
| <b>2</b> | Width cm  | 9.6  | 9.8  | 10   | 10.2 | 10.4 | 10.6 | 10.8 | 11   |



# Protective Clothing





# Protective Clothing

| Description  | Ultra-strong fabric | Standard anti-cut protection | Ultralight anti-cut protection | Performance fabric | Water-repellent | Breathable | Bi-stretch fabric | Multi-stretch fabric | Ventilation zips | Type approval   | Cut-resistance class | Anti-cut protective zone  |
|--|---------------------|------------------------------|--------------------------------|--------------------|-----------------|------------|-------------------|----------------------|------------------|---|----------------------|---|
|  Professional jacket with anti-cut protection                      | -                   | -                            | ●                              | -                  | ●               | ●          | -                 | -                    | ●                | CE  | 1                    |    |
|  Professional Tree Climbing trousers                               | -                   | -                            | ●                              | ●                  | ●               | ●          | ●                 | ●                    | -                | CE  | 1                    |    |
|  Professional chain-resistant gloves                               | ●                   | ●                            | -                              | -                  | ●               | ●          | ●                 | -                    | -                | CE  | 1                    |    |
|  Air-light 3 professional chain-resistant trousers                 | -                   | -                            | ●                              | -                  | ●               | ●          | ●                 | -                    | ●                | CE  | 3                    |    |
|  Air-light professional chain-resistant trousers                  | -                   | -                            | ●                              | -                  | ●               | ●          | ●                 | -                    | ●                | CE  | 1                    |   |
|  Oversleeves with anti-cut protection                            | -                   | ●                            | -                              | -                  | ●               | ●          | -                 | -                    | -                | CE  | 1                    |  |
|  Energy dungarees with anti-cut protection                       | -                   | ●                            | -                              | -                  | ●               | ●          | -                 | -                    | -                | CE<br> | 1                    |  |
|  Energy chain-resistant trousers                                 | -                   | ●                            | -                              | -                  | ●               | ●          | -                 | -                    | -                | CE<br> | 1                    |  |
|  Energy leggings with anti-cut protection                        | -                   | ●                            | -                              | -                  | ●               | ●          | -                 | -                    | -                | CE<br> | 1                    |  |
|  Universal light jacket  | -                   | -                            | -                              | -                  | ●               | ●          | ●                 | -                    | -                | CE  | -                    |  |
|  Professional high-visibility trousers for brushcutter operators | ●                   | -                            | -                              | -                  | ●               | ●          | -                 | -                    | -                | CE  | -                    |  |
|  Belt  | -                   | -                            | -                              | -                  | -               | -          | -                 | -                    | -                | CE  | -                    |  |
|  Shoulder Straps   | -                   | -                            | -                              | -                  | -               | -          | ●                 | -                    | -                | CE  | -                    |  |

# Protective Clothing



| Description  | Ultra-strong fabric | Standard anti-cut protection | Ultralight anti-cut protection | Performance fabric | Water-repellent   | Breathable | Bi-stretch fabric | Multi-stretch fabric | Ventilation zips | Type approval | Cut-resistance class | Anti-cut protective zone |
|--|---------------------|------------------------------|--------------------------------|--------------------|-------------------|------------|-------------------|----------------------|------------------|---------------|----------------------|--------------------------|
| Chain resistant forestry boots                                 | ●                   | ●                            | -                              | -                  | ●                 | ●          | -                 | -                    | -                | CE            | 2                    | Sharp Pro                |
| H2OUT chain resistant forestry boots with impermeable membrane | ●                   | ●                            | -                              | -                  | Impermeable H2OUT | -          | -                 | -                    | -                | CE            | 2                    | Sharp Pro                |
| Chain resistant forestry boots                                 | -                   | ●                            | -                              | -                  | ●                 | -          | -                 | -                    | -                | CE<br>KWF     | 3                    | Sharp Pro                |
| Universal utility gloves                                       | ●                   | -                            | -                              | -                  | ●                 | ●          | -                 | -                    | -                | CE            | -                    | Tough Tech               |

| Description   | Material Shell structure | Face shield material | Noise protection | Frame material | Lenses  | Type approval    |
|---|--------------------------|----------------------|------------------|----------------|---|------------------|
| Professional protective helmet                            | ABS                      | Nylon mesh           | 26 dB            | -              | -   | CE<br>Sharp Pro  |
| Protective helmet   | ABS                      | Metal mesh           | 23 dB            | -              | -   | CE<br>Tough Tech |
| Professional protective and noise-filtering ear defenders | Plastic                  | -                    | 33 dB            | -              | -   | CE<br>Sharp Pro  |
| Noise filtering ear defenders                             | Plastic                  | -                    | 30 dB            | -              | -   | CE<br>Tough Tech |
| Noise filtering ear defenders                             | Plastic                  | -                    | 27 dB            | -              | -   | CE<br>Tough Tech |
| Dark protective spectacles                                | -                        | -                    | -                | Rigid plastic  | Dark wrap-around, anti-scratch and anti-glare in sunlight | CE<br>Tough Tech |
| Clear protective spectacles                               | -                        | -                    | -                | Polycarbonate  | Wrap-around, anti-scratch, clear                          | CE<br>Tough Tech |
| Super-professional mesh face shield                       | Plastic                  | Metal mesh           | -                | -              | -   | CE<br>Sharp Pro  |
| Super-professional polycarbonate face shield              | Plastic                  | Polycarbonate        | -                | -              | -   | CE<br>Sharp Pro  |
| "Plus" mesh face shield                                   | Plastic                  | Metal mesh           | -                | -              | -   | CE<br>Tough Tech |
| "Plus" polycarbonate face shield                          | Plastic                  | Polycarbonate        | -                | -              | -   | CE<br>Tough Tech |



# Protective Clothing



## Professional jacket with anti-cut protection

Extremely lightweight and breathable comfort model professional anti-cut safety jacket, reinforced with waterproof fabric with abrasion resistance in the areas most subject to wear. The jacket assures a comfortable fit and freedom of movement for safe use of all chainsaws with cutting speeds of up to **20 m/s**. Anti-cut protection with “Sofly” technology: 5 layers of high-strength anti-cut fabric, extremely light, flexible and breathable. Antibacterial treatment and fast drying performance help to banish odours while enhancing the sensation of freshness and comfort for the wearer. Slim fit.



|            |   |                 |             |                 |
|------------|---|-----------------|-------------|-----------------|
| Safety     | <ul style="list-style-type: none"> <li>• Approved to EN ISO 11393-2.</li> <li>• Category 3 PPE.</li> <li>• <b>Class 1.</b></li> </ul> |                 |             |                 |
| Visibility | <ul style="list-style-type: none"> <li>• Large orange coloured trim for the maximum daytime and night-time visibility.</li> </ul>     |                 |             |                 |
| Fit        | <ul style="list-style-type: none"> <li>• Special 8-layer anti-cut protection (sofly).</li> </ul>                                      |                 |             |                 |
| Sizes      | <b>S</b>  | <b>3155014A</b> | <b>XL</b>   | <b>3155003A</b> |
|            | <b>M</b>  | <b>3155001A</b> | <b>XXL</b>  | <b>3155004A</b> |
|            | <b>L</b>  | <b>3155002A</b> | <b>XXXL</b> | <b>3155064</b>  |
|            |   |                 |             |                 |



## Professional Tree Climbing trousers

Professional chain-resistant trousers specifically designed and made for tree climbing. Extremely lightweight with breathable fabric, these trousers assure a comfortable fit and freedom of movement for safe use of all chainsaws with cutting speeds of up to **20 m/s**. Anti-cut protection for the legs (180° front, 5 cm right inside leg, 5 cm left inside leg), with “Sofly” technology: 5 layers of high-strength anti-cut fabric, extremely light, flexible and breathable. Antibacterial treatment and fast drying performance help to banish odours while enhancing the sensation of freshness and comfort for the wearer. Slim fit.



|           |   |                |           |                |
|-----------|---|----------------|-----------|----------------|
| Safety    | <ul style="list-style-type: none"> <li>• Approved to EN ISO 13688+A1.</li> <li>• Approved to EN ISO 11393-2.</li> <li>• Type A.</li> <li>• Category 3 PPE.</li> <li>• <b>Class 1.</b></li> </ul>                                    |                |           |                |
| Fit       | <ul style="list-style-type: none"> <li>• Special 5-layer anti-cut protection (sofly).</li> <li>• Anti-rip protection - RIPSTOP.</li> </ul>  |                |           |                |
| Materials | <ul style="list-style-type: none"> <li>• Water repellent with SOFIGUARD treatment.</li> <li>• 94% polyamide, 6% elastham (CORDURA - RIPSTOP).</li> <li>• Black reinforcement: 50% polyamide, 45% polyester, 5% elastham.</li> </ul> |                |           |                |
| Sizes     | <b>42</b>   | <b>3155051</b> | <b>50</b> | <b>3155055</b> |
|           | <b>44</b>   | <b>3155052</b> | <b>52</b> | <b>3155056</b> |
|           | <b>46</b>   | <b>3155053</b> | <b>54</b> | <b>3155057</b> |
|           | <b>48</b>   | <b>3155054</b> | <b>56</b> | <b>3155058</b> |
|           |   |                |           |                |



## Chain-resistant gloves

Designed to protect the most exposed parts of the body from the risk of cuts when using a chainsaw, approved class 1 (**20 m/s**). Optimum fit around the fingers to facilitate control and movement. Suitable for use with other power tools (hedgetrimmers, pruners, pruning saws), thanks to thickness and materials that prevent the penetration of thorns, chips and oil.



|           |  |                |               |                |
|-----------|--|----------------|---------------|----------------|
| Safety    | <ul style="list-style-type: none"> <li>• CE approved to EN 388:2016, EN 381-7/99.</li> <li>• Category 3 PPE.</li> <li>• <b>Class 1</b> (20 m/sec.).</li> </ul>   |                |               |                |
| Materials | <ul style="list-style-type: none"> <li>• Stretch polyester on the back and Duratexture on the palm.</li> <li>• Fingers with comfort stitching and stretch fabric.</li> <li>• Palm with antivibration insert.</li> <li>• Elasticized cuff with Velcro fastener.</li> <li>• Reinforcement on back for enhanced wear resistance.</li> <li>• High-strength fabric chain protection.</li> </ul> |                |               |                |
| Sizes     | <b>S-8</b>   | <b>3155072</b> | <b>XL-11</b>  | <b>3155075</b> |
|           | <b>M-9</b>   | <b>3155073</b> | <b>XXL-12</b> | <b>3155076</b> |
|           | <b>L-10</b>  | <b>3155074</b> |               |                |
|           |  |                |               |                |





# Protective Clothing



## Air-light 3 professional chain-resistant trousers

Professional chain-resistant trousers, guaranteeing the maximum level of protection, a comfortable fit and freedom of movement for safe use of all chainsaws with cutting speeds of up to **28 m/s**. Anti-cut protection with “Sofly” technology: 8 layers of high-strength anti-cut fabric, extremely light, flexible and breathable. Antibacterial treatment and fast drying performance help to banish odours while enhancing the sensation of freshness and comfort for the wearer. 2 ventilation zips at the rear. Leg protection (180° front, 5 cm right inside leg, 5 cm left inside leg). Slim fit.



|           |  |                |            |                |
|-----------|--|----------------|------------|----------------|
| Safety    | <ul style="list-style-type: none"> <li>• Approved to EN ISO 13688+A1.</li> <li>• Approved to EN ISO 11393-2.</li> <li>• Type A.</li> <li>• Category 3 PPE.</li> <li>• <b>Class 3.</b></li> </ul> |                |            |                |
| Fit       | <ul style="list-style-type: none"> <li>• Excellent fit thanks to the use of bi-stretch fabric.</li> <li>• Special 8-layer anti-cut protection (sofly).</li> </ul>                                |                |            |                |
| Materials | <ul style="list-style-type: none"> <li>• Water repellent with SOFIGUARD treatment.</li> <li>• 94% polyamide, 6% elastham.</li> </ul>   |                |            |                |
| Sizes     | <b>S</b>   | <b>3155111</b> | <b>XL</b>  | <b>3155114</b> |
|           | <b>M</b>   | <b>3155112</b> | <b>XXL</b> | <b>3155115</b> |
|           | <b>L</b>   | <b>3155113</b> |            |                |



## Air-light professional chain-resistant trousers

Professional model protective chain-resistant trousers, exceptionally light and breathable, guaranteeing a comfortable fit and freedom of movement for safe use of all chainsaws with cutting speeds of up to **20 m/s**. Anti-cut protection with “Sofly” technology: 5 layers of high-strength anti-cut fabric, extremely light, flexible and breathable. Antibacterial treatment and fast drying performance help to banish odours while enhancing the sensation of freshness and comfort for the wearer. 2 ventilation zips at the rear. Leg protection (180° front, 5 cm right inside leg, 5 cm left inside leg). Slim fit.



|           |  |                |            |                |
|-----------|--|----------------|------------|----------------|
| Safety    | <ul style="list-style-type: none"> <li>• Approved to EN ISO 13688+A1.</li> <li>• Approved to EN ISO 11393-2.</li> <li>• Type A.</li> <li>• Category 3 PPE.</li> <li>• <b>Class 1.</b></li> </ul> |                |            |                |
| Fit       | <ul style="list-style-type: none"> <li>• Excellent fit thanks to the use of bi-stretch fabric.</li> <li>• Special 5-layer anti-cut protection (sofly).</li> </ul>                                |                |            |                |
| Materials | <ul style="list-style-type: none"> <li>• Water repellent with SOFIGUARD treatment.</li> <li>• 94% polyamide, 6% elastham.</li> </ul>   |                |            |                |
| Sizes     | <b>S</b>   | <b>3155095</b> | <b>XL</b>  | <b>3155098</b> |
|           | <b>M</b>   | <b>3155096</b> | <b>XXL</b> | <b>3155099</b> |
|           | <b>L</b>   | <b>3155097</b> |            |                |



## Oversleeves with anti-cut protection

Chain-resistant oversleeves designed for amateur users and for occasional chainsaw duties. The oversleeves can be donned with ease and they are adjusted by means of ties. Designed to withstand chain speeds of **20 m/s**, orange colour for high visibility and featuring anti-intrusion cuffs.



|            |  |                |  |  |
|------------|--|----------------|--|--|
| Safety     | <ul style="list-style-type: none"> <li>• CE approved to EN ISO 11393-6.</li> <li>• Category 3 PPE.</li> <li>• <b>Class 1.</b></li> </ul> |                |  |  |
| Visibility | <ul style="list-style-type: none"> <li>• Orange coloured fabric.</li> </ul>  |                |  |  |
| Materials  | <ul style="list-style-type: none"> <li>• Breathable.</li> <li>• 33% cotton, 67% polyester.</li> <li>• 245 g/m².</li> </ul>               |                |  |  |
| Sizes      | <b>Universal</b>   | <b>3255081</b> |  |  |



# Protective Clothing

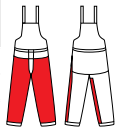


## Energy dungarees with anti-cut protection

Dungarees with anti-cut protection, with classic workwear style and shape and 8-layer anti-cut protection for safe use of all chainsaws with cutting speeds of up to **20 m/s**. The practical bib incorporates a pocket to carry small objects and tools. Adjustable shoulder straps and side pockets.



|            |   |                |             |                |
|------------|---|----------------|-------------|----------------|
| Safety     | <ul style="list-style-type: none"> <li>• Approved to EN ISO 13688.</li> <li>• Approved to EN ISO 11393-2.</li> <li>• Type A.</li> <li>• Category 3 PPE.</li> <li>• <b>Class 1.</b></li> </ul> |                |             |                |
| Visibility | <ul style="list-style-type: none"> <li>• Orange coloured bib.</li> <li>• Detail of pockets.</li> <li>• Special 8-layer anti-cut protection.</li> </ul>  |                |             |                |
| Materials  | <ul style="list-style-type: none"> <li>• Breathable, water repellent.</li> <li>• 30% cotton, 70% polyester.</li> </ul>  |                |             |                |
| Sizes      | <b>S</b>  | <b>3155083</b> | <b>XL</b>   | <b>3155086</b> |
|            | <b>M</b>  | <b>3155084</b> | <b>XXL</b>  | <b>3155087</b> |
|            | <b>L</b>  | <b>3155085</b> | <b>XXXL</b> | <b>3155088</b> |



## Energy chain-resistant trousers

Chain-resistant trousers with 8-layer anti-cut protection for safe use of all chainsaws with cutting speeds of up to **20 m/s**. Comfortable fit. Leg protection (180° front, 5 cm right inside leg, 5 cm left inside leg). Side pockets, ruler pocket and spark plug wrench pocket.



|            |  |                |  |  |
|------------|--|----------------|--|--|
| Safety     | <ul style="list-style-type: none"> <li>• Approved to EN ISO 13688.</li> <li>• Approved to EN ISO 11393-2.</li> <li>• Type A.</li> <li>• Category 3 PPE.</li> <li>• <b>Class 1.</b></li> </ul>                  |                |  |  |
| Visibility | <ul style="list-style-type: none"> <li>• Orange abdominal part.</li> <li>• Side pockets, ruler pocket and spark plug wrench pocket, lumbar support.</li> <li>• Special 8-layer anti-cut protection.</li> </ul> |                |  |  |
| Materials  | <ul style="list-style-type: none"> <li>• Breathable and water repellent.</li> <li>• 30% cotton, 70% polyester.</li> <li>• Certificate KWF STANDARD.</li> </ul>   |                |  |  |
| Sizes      | <b>S</b>   | <b>3155090</b> |  |  |
|            | <b>M</b>   | <b>3155091</b> |  |  |
|            | <b>L</b>   | <b>3155092</b> |  |  |
|            | <b>XL</b>  | <b>3155093</b> |  |  |
|            | <b>XXL</b>   | <b>3155094</b> |  |  |



## Energy leggings with anti-cut protection

Anti-cut protective leggings designed for amateur users and for occasional chainsaw duties. Easy-fit, the waistband is adjusted by means of an elasticated strip and the legs are fastened with zips at the rear. 8-layer anti-cut protection for the legs for safe use of all chainsaws with cutting speeds of up to **20 m/s**. (180° front, 5 cm right inside leg, 5 cm left inside leg).



|            |   |                   |  |  |
|------------|---|-------------------|--|--|
| Safety     | <ul style="list-style-type: none"> <li>• Approved to EN ISO 13688.</li> <li>• Approved to EN ISO 11393-2.</li> <li>• Type A.</li> <li>• Category 3 PPE.</li> <li>• <b>Class 1.</b></li> </ul> |                   |  |  |
| Visibility | <ul style="list-style-type: none"> <li>• Orange abdominal part.</li> <li>• Detail of pocket.</li> <li>• Special 8-layer anti-cut protection.</li> </ul>                                       |                   |  |  |
| Materials  | <ul style="list-style-type: none"> <li>• Breathable.</li> <li>• 33% cotton, 67% polyester.</li> <li>• 245 g/m<sup>2</sup>.</li> </ul>   |                   |  |  |
| Sizes      | <b>Universal</b>  | <b>001001359B</b> |  |  |



# Protective Clothing



## Universal light jacket

Extremely lightweight, breathable universal light jacket with large orange-coloured panels for optimal visibility. Excellent fit thanks to the use of bi-stretch fabric. Comfortable fit. Removable sleeves.



|            |  |                 |            |                 |
|------------|--|-----------------|------------|-----------------|
| Safety     | • Category 1 PPE.  |                 |            |                 |
| Visibility | • Large front and rear orange coloured trim for the maximum daytime and night-time visibility.   |                 |            |                 |
| Materials  | <ul style="list-style-type: none"> <li>• Water-repellent, wind-proof, breathable.</li> <li>• 46% polyester, 37% polyamide, 15% polyurethane, 2% elastham.</li> <li>• 2D fabric, removable sleeves, 2 pockets.</li> </ul> |                 |            |                 |
| Sizes      | <b>S</b>   | <b>3155039A</b> | <b>XL</b>  | <b>3155042A</b> |
|            | <b>M</b>   | <b>3155040A</b> | <b>XXL</b> | <b>3155043A</b> |
|            | <b>L</b>   | <b>3155041A</b> |            |                 |
|            |  |                 |            |                 |



## Professional high-visibility trousers for brushcutter operators

Protective trousers for brushcutter operators, with reflective inserts, high-strength waterproof outer fabric and frontal protection against accidental impact. Comfortable for prolonged use thanks to the two rear ventilation zips and practical storage pocket on the side for keeping valuables safe.



|            |   |                 |             |                 |
|------------|---|-----------------|-------------|-----------------|
| Safety     | <ul style="list-style-type: none"> <li>• Approved to EN ISO 13688.</li> <li>• Approved to EN ISO 20471+A1.</li> <li>• Category 1 PPE.</li> </ul>  |                 |             |                 |
| Visibility | <ul style="list-style-type: none"> <li>• Reflective inserts</li> <li>• Orange coloured trims</li> <li>• Rear ventilation zips</li> <li>• Closed pocket for valuables</li> </ul>                                 |                 |             |                 |
| Materials  | <ul style="list-style-type: none"> <li>• Waterproofed fabric 240 gr/m<sup>2</sup>.</li> <li>• High strength protection at the front of the leg.</li> <li>• Leg protection 30% cotton, 70% polyester.</li> </ul> |                 |             |                 |
| Sizes      | <b>S</b>  | <b>3155019A</b> | <b>XL</b>   | <b>3155022A</b> |
|            | <b>M</b>  | <b>3155020A</b> | <b>XXL</b>  | <b>3155023A</b> |
|            | <b>L</b>  | <b>3155021A</b> | <b>XXXL</b> | <b>3155078A</b> |
|            |   |                 |             |                 |



## Belt and Shoulder Straps

Belt in woven cotton fabric, of variable length. A very useful accessory when used in combination with work trousers. The metal buckle with quick release and fastening offers extreme usability in a compact design.

Elastic shoulder straps with wide band, adjustable in length and specifically for clothing with buttons, in fluorescent orange colour for greater visibility. Excellent fit and comfort due to the Y-shape design.



|                 |   |                 |  |
|-----------------|---|-----------------|--|
| Characteristics | <ul style="list-style-type: none"> <li>• Metal buckle with quick release/fastening.</li> <li>• Width 30 mm.</li> <li>• Length 120 mm.</li> <li>• Black colour.</li> </ul> |                 |  |
| Size            | <b>One size</b>   | <b>3155117R</b> |  |



|                 |   |                |  |
|-----------------|---|----------------|--|
| Characteristics | <ul style="list-style-type: none"> <li>• 35 mm wide elastic band in fluorescent orange.</li> <li>• Sliding adjustment system.</li> <li>• 6 connection loops.</li> <li>• Braided straps for attaching to buttons.</li> </ul> |                |  |
| Size            | <b>One size</b>   | <b>3655016</b> |  |





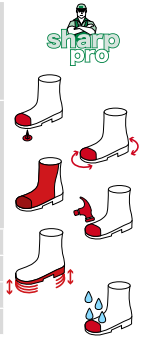
# Protective Clothing

## Chain resistant forestry boots

Combining the characteristics of trekking boots with the safety features required by specific PPE regulations. Chain resistant certified to EN ISO 17249 Class 2 (Category 3 PPE, able to resist chain speeds of up to **24 m/s**). Flexible and comfortable, these boots assure a high level of comfort during work activities, maximising control and mobility. The boots offer excellent grip thanks to the deep channel tread pattern of the sole in anti-oil, antistatic, non-slip nitrile rubber with heat resistance up to 300°C.



|           |  |               |               |               |
|-----------|--|---------------|---------------|---------------|
| Safety    | <ul style="list-style-type: none"> <li>• CE approval, standards EN ISO 17249:2013, EN ISO 20345:2011, CL2 S3-CI-HI-HRO-SRC, <b>Class 2</b>.</li> <li>• Category 3 PPE. Certified to EU 2016/425.</li> </ul>  |               |               |               |
| Materials | <ul style="list-style-type: none"> <li>• Water-repellent leather upper.</li> <li>• Breathable nonwoven fabric lining.</li> <li>• High-strength fabric anti-piercing sole plate.</li> <li>• 8-layer chain protection from top of foot up to the shin and on the sides.</li> </ul> |               |               |               |
| Sizes     | 35 3655011   | 39 3655015    | 43 001000977C | 47 001001421A |
|           | 36 3655012   | 40 001001419A | 44 001000978C |               |
|           | 37 3655013   | 41 001000975C | 45 001000979C |               |
|           | 38 3655014   | 42 001000976C | 46 001001420A |               |

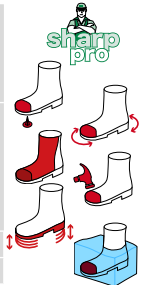


## H<sub>2</sub>OUT chain resistant forestry boots

Combining the characteristics of trekking boots with the safety features required by specific PPE regulations. Chain resistant certified to EN ISO 17249 Class 2 (Category 3 PPE, able to resist chain speeds of up to **24 m/s**). Flexible and comfortable, these boots assure a high level of comfort during work activities, maximising control and mobility. The boots offer excellent grip thanks to the deep channel tread pattern of the sole in anti-oil, antistatic, non-slip nitrile rubber with heat resistance up to 300°C. The boots provide the maximum impermeability thanks to the “Tepor” membrane interposed between the upper and the lining.



|           |  |            |            |            |
|-----------|--|------------|------------|------------|
| Safety    | <ul style="list-style-type: none"> <li>• CE approval, standards EN ISO 17249:2013, EN ISO 20345:2011, CL2 S3-CI-HI-HRO-SRC, <b>Class 2</b>.</li> <li>• Category 3 PPE. Certified to EU 2016/425.</li> </ul>  |            |            |            |
| Materials | <ul style="list-style-type: none"> <li>• Water-repellent leather upper.</li> <li>• Breathable nonwoven fabric lining.</li> <li>• High-strength fabric anti-piercing sole plate.</li> <li>• 8-layer chain protection from top of foot up to the shin and on the sides.</li> </ul> |            |            |            |
| Sizes     | 40 3655001   | 42 3655003 | 44 3655005 | 46 3655007 |
|           | 41 3655002   | 43 3655004 | 45 3655006 | 47 3655008 |



## Chain resistant forestry boots

Rugged high boots in rubber for safe use of chainsaws. Protection from cutting, crushing and piercing thanks to the steel toe cap, chain guard protection covering the entire upper and anti-piercing sole plate made of high strength fabric. The boots offer excellent grip thanks to the deep channel tread pattern of the sole in anti-oil, antistatic, non-slip nitrile rubber with heat resistance up to 300°C.



|           |  |            |    |            |
|-----------|--|------------|----|------------|
| Safety    | <ul style="list-style-type: none"> <li>• CE approval standards EN 345-1 1997, EN 345-2 1996 SB - E, <b>Class 3</b>.</li> <li>• Category 3 PPE. Certified to EU 2016/425.</li> <li>• KWF PROF certification.</li> </ul>   |            |    |            |
| Materials | <ul style="list-style-type: none"> <li>• Outer in rubber with non-slip rubber sole with deep cleated tread.</li> <li>• Breathable fabric lining and absorbent felt footbed.</li> <li>• Protective steel toecap, anti-piercing sole plate and ankle guard.</li> <li>• Chain protection on top of foot and on shin.</li> </ul> |            |    |            |
| Sizes     | 41   | 001001079A | 44 | 001001082A |
|           | 42   | 001001080A | 45 | 001001083A |
|           | 43   | 001001081A |    |            |



# Protective Clothing



## Universal utility gloves

Comfortable, made with chamois leather palm and comfort padding, back in stretch polyester. Knitted cuff and Velcro fastener for easy on/off, maximum comfort also when worn for long periods. No cut protection is provided, so these gloves are suitable for use exclusively with tools that do not call for specific anti-cutting properties (blowers, brushcutters, rotary tillers, etc.). CE approved, mechanical properties to EN 388: abrasion resistance 3, cut resistance 1, tear resistance 2, piercing resistance 2.



|           |  |                |               |                |
|-----------|--|----------------|---------------|----------------|
| Safety    | <ul style="list-style-type: none"> <li>• CE marking, compliant with EN 420 2003 - AM1: 2009 EN 388: 2003 / 3122 and directive 89/686/EEC.</li> <li>• Category 1 PPE.</li> </ul>  |                |               |                |
| Materials | <ul style="list-style-type: none"> <li>• Back in elasticized polyester and natural leather.</li> <li>• Comfort padding on palm.</li> <li>• Elasticated cuffs.</li> <li>• Wrist strap with Velcro.</li> <li>• High strength seams stitched with cotton faced nylon thread.</li> </ul> |                |               |                |
| Sizes     | <b>S-8</b>   | <b>3155029</b> | <b>XL-11</b>  | <b>3155032</b> |
|           | <b>M-9</b>   | <b>3155030</b> | <b>XXL-12</b> | <b>3155033</b> |
|           | <b>L-10</b>  | <b>3155031</b> |               |                |



## Professional protective helmet

For the maximum protection of the head and face, ideal for jobs carried out at ground level. Lightweight, comfortable and ventilated. Adjustable face shield, side ventilation openings, integral rain channel and large-size pre-moulded nylon shield. Individually adjustable removable ear protectors.



|           |   |                    |  |
|-----------|---|--------------------|--|
| Safety    | <ul style="list-style-type: none"> <li>• Category 3 PPE. Certified to EU 2016/425 approved to EN 397:2012+A1:2012.</li> <li>• Approved ear defenders to EN 352-3.</li> <li>• Approved face shield to EN 1731/S, EN 166.</li> </ul>  |                    |  |
| Materials | <ul style="list-style-type: none"> <li>• Shell made of flexible, UV-resistant ABS (shock absorbent).</li> <li>• Fabric harness with double 4-point suspension (patented shock absorption system).</li> <li>• Sweatband and ratchet adjustment system.</li> <li>• SNR 26 dB adjustable ear defenders.</li> <li>• Face shield holder.</li> <li>• Mesh face shield.</li> </ul> |                    |  |
| Sizes     | <b>Universal</b>  | <b>001001283BR</b> |  |



Visor support (replacement)

**3655010R**



Chinstrap (accessory)

**3655009**



Mesh face shield (replacement)

**3155018R**



Ear defender kit for helmet (replacement)

**3155011R**

## Protective helmet

Helmet with mesh face shield and ear defenders.



|           |   |                  |  |
|-----------|---|------------------|--|
| Safety    | <ul style="list-style-type: none"> <li>• Helmet certified to EU 2016/425 approved to EN 397:2012+A1:2012.</li> <li>• Approved ear defenders to EN 352-3: 1997.</li> <li>• Approved face shield to EN 1731/S, EN 166.</li> </ul>   |                  |  |
| Materials | <ul style="list-style-type: none"> <li>• Shell in UV-resistant polyethylene.</li> <li>• Plastic harness with 4-point suspension.</li> <li>• Sweatband and manual adjustment system.</li> <li>• SNR 23 dB adjustable ear defenders.</li> <li>• Face shield holder.</li> <li>• Metal mesh face shield.</li> </ul> |                  |  |
| Sizes     | <b>Universal</b>  | <b>3155012AR</b> |  |



# Protective Clothing



## Professional protective and noise-filtering ear defenders

Professional ear defenders for maximum hearing protection, 33 dB attenuation.



|           |  |
|-----------|--|
| Safety    | <ul style="list-style-type: none"> <li>• EN 352-1 approved ear defenders.</li> <li>• Category 2 PPE.</li> </ul>  |
| Materials | <ul style="list-style-type: none"> <li>• Shell made of UV-resistant ABS (shock absorbent).</li> <li>• Stainless steel headband.</li> <li>• Adjustable.</li> <li>• Attenuation (SNR): 33 dB.</li> <li>• PVC + foam sound insulation.</li> </ul> |
| Sizes     | <b>Universal</b> <b>3155118R</b>   |



## Noise filtering ear defenders

Ear defenders for excellent hearing protection, 30 dB attenuation.



|           |   |
|-----------|---|
| Safety    | <ul style="list-style-type: none"> <li>• EN 352-1 approved ear defenders.</li> <li>• Category 2 PPE.</li> </ul>   |
| Materials | <ul style="list-style-type: none"> <li>• Shell in ABS.</li> <li>• Plastic + stainless steel headband.</li> <li>• Adjustable.</li> <li>• Attenuation (SNR) 30 dB.</li> <li>• PVC + foam sound insulation.</li> </ul> |
| Sizes     | <b>Universal</b> <b>001000835</b>   |



## Noise filtering ear defenders

Ear defenders for excellent hearing protection, 27 dB attenuation.



|           |  |
|-----------|--|
| Safety    | <ul style="list-style-type: none"> <li>• EN 352-1 approved ear defenders.</li> <li>• Category 2 PPE.</li> </ul>  |
| Materials | <ul style="list-style-type: none"> <li>• Shell in PVC.</li> <li>• Plastic headband.</li> <li>• Adjustable.</li> <li>• Attenuation (SNR): 27 dB.</li> <li>• PVC + foam sound insulation.</li> </ul> |
| Sizes     | <b>Universal</b> <b>4175114</b>  |





# Protective Clothing



## Dark protective spectacles

Versatile, lightweight and ergonomic protective spectacles, dark lens.



|           |   |
|-----------|---|
| Safety    | <ul style="list-style-type: none"> <li>• EN 166 approved protective spectacles.</li> <li>• Optical class 1.</li> </ul>  |
| Materials | <ul style="list-style-type: none"> <li>• Wrap-around clear anti-scratch lens, anti-glare in sunlight, resistant to fogging.</li> <li>• Brow-pad, temples and nose bridge in soft anti-slip thermoplastic, for greater comfort and greater protection against dust and droplets. The wraparound lens offers a wide field of vision, while the adjustable temple and lens inclination allows for a customised fit.</li> <li>• Mechanical strength: Lens FT - Frame FT.</li> </ul> |
| Sizes     | <b>Universal</b> <b>3155026BR</b>   |



## Clear protective spectacles

Adjustable, lightweight and ergonomic protective spectacles, clear lens.



|           |   |
|-----------|---|
| Safety    | <ul style="list-style-type: none"> <li>• Protective spectacles approved to EN 166 (2C-1.2 1FTKN / Z87+U6).</li> <li>• Optical class 1.</li> </ul>   |
| Materials | <ul style="list-style-type: none"> <li>• Wrap-around clear anti-scratch lens, anti-glare in sunlight, resistant to fogging.</li> <li>• Brow-pad, temples and nose bridge in soft anti-slip thermoplastic, for greater comfort and greater protection against dust and droplets. The wraparound lens offers a wide field of vision, while the adjustable temple and lens inclination allows for a customised fit.</li> <li>• Mechanical strength: Lens FT - Frame FT.</li> </ul> |
| Sizes     | <b>Universal</b> <b>3155027AR</b>   |



## Super-professional face shield

Professional lightweight ergonomic face shield for the maximum safety, mesh and polycarbonate protection.



|           |  |
|-----------|--|
| Safety    | <ul style="list-style-type: none"> <li>• EN 1731-S approved.</li> </ul>  |
| Materials | <ul style="list-style-type: none"> <li>• PVC structure, replaceable and adjustable metal mesh face shield.</li> <li>• Foam brow band.</li> </ul> |
| Sizes     | <b>Universal</b> <b>001000939A</b>   |



|           |  |
|-----------|--|
| Safety    | <ul style="list-style-type: none"> <li>• EN 166 approved.</li> <li>• Optical class 1, mechanical strength B.</li> </ul>  |
| Materials | <ul style="list-style-type: none"> <li>• PVC structure, polycarbonate face shield, antifogging, adjustable, replaceable.</li> <li>• Foam brow band.</li> </ul> |
| Sizes     | <b>Universal</b> <b>001000940A</b>   |



## Plus face shield

Lightweight ergonomic face shield for the maximum safety, mesh and polycarbonate protection.



|           |  |
|-----------|--|
| Safety    | <ul style="list-style-type: none"> <li>• EN 1731-F approved.</li> <li>• Optical class 1, mechanical strength B.</li> </ul>                     |
| Materials | <ul style="list-style-type: none"> <li>• PVC structure, metal mesh face shield, adjustable, replaceable.</li> <li>• Foam brow band.</li> </ul> |
| Sizes     | <b>Universal</b> <b>001000941A</b>   |



|           |  |
|-----------|--|
| Safety    | <ul style="list-style-type: none"> <li>• EN 166 approved.</li> <li>• Optical class 1, mechanical strength B.</li> </ul>  |
| Materials | <ul style="list-style-type: none"> <li>• PVC structure, polycarbonate face shield, antifogging, adjustable, replaceable.</li> <li>• Foam brow band.</li> </ul> |
| Sizes     | <b>Universal</b> <b>001000942A</b>   |



Excellent fit and comfort for all seasons,  
to make working outdoors  
even more enjoyable.



# Outdoor Clothing





# Outdoor Clothing

**Cap**  
6-panel baseball cap. Made to offer style and functionality, it features HD customisation on the front and tricolour label sewn on the back. The contrasting colour plastic closure adds a touch of modernity.



|           |  |
|-----------|--|
| Details   | <ul style="list-style-type: none"> <li>• 6 panels, HD logo on the front. Sewn tricolour woven label. Plastic closure and piping in contrasting color.</li> </ul> |
| Materials | <ul style="list-style-type: none"> <li>• 100% chino cotton.</li> </ul>   |
| Sizes     | <b>Universal</b> <b>3155182</b>  |

**Winter hat**  
Winter hat, iconic shape with turned-up edge. Versatile and extremely hard-wearing. Flat embroidery on the front and tricolour label sewn on the edge flap.



|           |   |
|-----------|---|
| Details   | <ul style="list-style-type: none"> <li>• Flat embroidery on the front, woven tricolour label sewn on the side.</li> </ul> |
| Materials | <ul style="list-style-type: none"> <li>• 100% acrylic.</li> </ul>   |
| Sizes     | <b>Universal</b> <b>3155183</b>   |

**Neck gaiter**  
Soft and thin neck gaiter in 100% polyester with multiple uses. Measures 24x48cm, 130 gsm all-over sublimation printed, white on the reverse.



|           |   |
|-----------|---|
| Details   | <ul style="list-style-type: none"> <li>• Sublimation printing on both sides.</li> </ul> |
| Materials | <ul style="list-style-type: none"> <li>• 100% polyester.</li> </ul>                     |
| Sizes     | <b>Universal</b> <b>3155184</b>   |

# Outdoor Clothing

## T-shirt

Crew neck T-shirt with a technical and sophisticated look. Made of high-quality jersey cotton, it is soft and breathable for maximum comfort. The exclusive details and customisations give it a unique identity, making it a distinctive workwear item.



|            |  |          |                |          |                |           |                |            |                |
|------------|--|----------|----------------|----------|----------------|-----------|----------------|------------|----------------|
| Details    | <ul style="list-style-type: none"><li>• Logo on front and back with 3D effect, tricolour label sewn on the side, collar sweatband with two-tone stripe, contrasting insert stripe on the shoulders.</li></ul>          |          |                |          |                |           |                |            |                |
| Materials  | <ul style="list-style-type: none"><li>• 100% cotton jersey 160 gsm with enzyme wash.</li></ul>   |          |                |          |                |           |                |            |                |
| Sizes      | <table><tr><td><b>M</b></td><td><b>3155152</b></td></tr><tr><td><b>L</b></td><td><b>3155153</b></td></tr><tr><td><b>XL</b></td><td><b>3155154</b></td></tr><tr><td><b>XXL</b></td><td><b>3155155</b></td></tr></table> | <b>M</b> | <b>3155152</b> | <b>L</b> | <b>3155153</b> | <b>XL</b> | <b>3155154</b> | <b>XXL</b> | <b>3155155</b> |
| <b>M</b>   | <b>3155152</b>   |          |                |          |                |           |                |            |                |
| <b>L</b>   | <b>3155153</b>   |          |                |          |                |           |                |            |                |
| <b>XL</b>  | <b>3155154</b>   |          |                |          |                |           |                |            |                |
| <b>XXL</b> | <b>3155155</b>   |          |                |          |                |           |                |            |                |

## Polo shirt

Polo shirt with a technical and sophisticated look. Made of soft and breathable cotton piqué, it offers comfort and freshness all day long. The details and exclusive customisations give a unique personality, while the ribbed collar and three-button placket complete the refined look.



|            |   |          |                |          |                |           |                |            |                |
|------------|---|----------|----------------|----------|----------------|-----------|----------------|------------|----------------|
| Details    | <ul style="list-style-type: none"><li>• Logo on front and back with 3D effect, tricolour label sewn on the side, collar sweatband with two-tone stripe repeated on the placket and vents, contrasting insert stripe on the shoulders.</li></ul> |          |                |          |                |           |                |            |                |
| Materials  | <ul style="list-style-type: none"><li>• 100% cotton piqué 190 gsm.</li></ul>  |          |                |          |                |           |                |            |                |
| Sizes      | <table><tr><td><b>M</b></td><td><b>3155156</b></td></tr><tr><td><b>L</b></td><td><b>3155157</b></td></tr><tr><td><b>XL</b></td><td><b>3155158</b></td></tr><tr><td><b>XXL</b></td><td><b>3155159</b></td></tr></table>                          | <b>M</b> | <b>3155156</b> | <b>L</b> | <b>3155157</b> | <b>XL</b> | <b>3155158</b> | <b>XXL</b> | <b>3155159</b> |
| <b>M</b>   | <b>3155156</b>  |          |                |          |                |           |                |            |                |
| <b>L</b>   | <b>3155157</b>  |          |                |          |                |           |                |            |                |
| <b>XL</b>  | <b>3155158</b>  |          |                |          |                |           |                |            |                |
| <b>XXL</b> | <b>3155159</b>  |          |                |          |                |           |                |            |                |

## Sweatshirt

Soft, with brushed interior, offers comfort, warmth and practicality. Equipped with a practical long zip and front pockets, it is perfect for a casual yet sophisticated look. The exclusive details and customisations give it a unique identity, making it a distinctive workwear item.



|            |   |          |                |          |                |           |                |            |                |
|------------|---|----------|----------------|----------|----------------|-----------|----------------|------------|----------------|
| Details    | <ul style="list-style-type: none"><li>• Full zip, logo on front and back with 3D effect, tricolour label sewn on pocket edge, collar sweatband with two-tone stripe, contrasting insert stripe on shoulders and along the front zip, comfortable front pockets, ergonomic zip puller.</li></ul> |          |                |          |                |           |                |            |                |
| Materials  | <ul style="list-style-type: none"><li>• 80% cotton 20% polyester with enzyme wash 290 gsm and brushed interior.</li></ul>   |          |                |          |                |           |                |            |                |
| Sizes      | <table><tr><td><b>M</b></td><td><b>3155160</b></td></tr><tr><td><b>L</b></td><td><b>3155161</b></td></tr><tr><td><b>XL</b></td><td><b>3155162</b></td></tr><tr><td><b>XXL</b></td><td><b>3155163</b></td></tr></table>  | <b>M</b> | <b>3155160</b> | <b>L</b> | <b>3155161</b> | <b>XL</b> | <b>3155162</b> | <b>XXL</b> | <b>3155163</b> |
| <b>M</b>   | <b>3155160</b>  |          |                |          |                |           |                |            |                |
| <b>L</b>   | <b>3155161</b>  |          |                |          |                |           |                |            |                |
| <b>XL</b>  | <b>3155162</b>  |          |                |          |                |           |                |            |                |
| <b>XXL</b> | <b>3155163</b>  |          |                |          |                |           |                |            |                |



# Outdoor Clothing

## Gilet

Full zip polar fleece gilet that is both sporty and technical at the same time. Made of soft and warm fleece. The soft material with anti-pill treatment ensures longevity. Shoulders and chest are lined with jacket fabric for greater protection in the open air. The front zip pockets offer practicality and security for personal effects. The unique details and customisations give this gilet a distinctive and modern look. It is suitable for wearing over other garments, for the first cold spells of the year or under a lightweight jacket for added warmth.



|            |  |          |                |          |                |           |                |            |                |
|------------|--|----------|----------------|----------|----------------|-----------|----------------|------------|----------------|
| Details    | <ul style="list-style-type: none"> <li>• Full zip, logo on front and back with 3D effect, tricolour label sewn on side, collar sweatband with two-tone stripe, contrasting insert stripe on the shoulders and along the front zip, handy front pockets, ergonomic zip pullers, inserts in windproof/waterproof jacket fabric.</li> </ul> |          |                |          |                |           |                |            |                |
| Materials  | <ul style="list-style-type: none"> <li>• 100% polar fleece 220 gsm internal and external anti-pill/reinforced with fabric, 100% polyester jacket fabric with windproof/waterproof treatment.</li> </ul>  |          |                |          |                |           |                |            |                |
| Sizes      | <table border="1"> <tr> <td><b>M</b></td> <td><b>3155168</b></td> </tr> <tr> <td><b>L</b></td> <td><b>3155169</b></td> </tr> <tr> <td><b>XL</b></td> <td><b>3155170</b></td> </tr> <tr> <td><b>XXL</b></td> <td><b>3155171</b></td> </tr> </table>   | <b>M</b> | <b>3155168</b> | <b>L</b> | <b>3155169</b> | <b>XL</b> | <b>3155170</b> | <b>XXL</b> | <b>3155171</b> |
| <b>M</b>   | <b>3155168</b>   |          |                |          |                |           |                |            |                |
| <b>L</b>   | <b>3155169</b>   |          |                |          |                |           |                |            |                |
| <b>XL</b>  | <b>3155170</b>   |          |                |          |                |           |                |            |                |
| <b>XXL</b> | <b>3155171</b>   |          |                |          |                |           |                |            |                |

Details

## Fleece

Full zip jacket in polar fleece for a sporty and technical look at the same time. Made of soft, warm fleece with anti-pill treatment to ensure longevity. Shoulders and chest are lined with jacket fabric for greater protection in the open air. The front pockets closed by zips with ergonomic pullers offer practicality and safety for personal effects. The details and unique customisations give this jacket a distinctive and modern look. It is suitable for wearing over other garments or under a lightweight jacket for added warmth.



|            |  |          |                |          |                |           |                |            |                |
|------------|--|----------|----------------|----------|----------------|-----------|----------------|------------|----------------|
| Details    | <ul style="list-style-type: none"> <li>• Full zip, logo on front and back with 3D effect, tricolour label sewn on side, collar sweatband with two-tone stripe, contrasting insert stripe on the shoulders and along the front zip, handy front pockets, ergonomic zip pullers, inserts in windproof/waterproof jacket fabric.</li> </ul> |          |                |          |                |           |                |            |                |
| Materials  | <ul style="list-style-type: none"> <li>• 100% polar fleece 220 gsm internal and external anti-pill/reinforced with fabric, 100% polyester jacket fabric with windproof/waterproof treatment.</li> </ul>  |          |                |          |                |           |                |            |                |
| Sizes      | <table border="1"> <tr> <td><b>M</b></td> <td><b>3155164</b></td> </tr> <tr> <td><b>L</b></td> <td><b>3155165</b></td> </tr> <tr> <td><b>XL</b></td> <td><b>3155166</b></td> </tr> <tr> <td><b>XXL</b></td> <td><b>3155167</b></td> </tr> </table>   | <b>M</b> | <b>3155164</b> | <b>L</b> | <b>3155165</b> | <b>XL</b> | <b>3155166</b> | <b>XXL</b> | <b>3155167</b> |
| <b>M</b>   | <b>3155164</b>   |          |                |          |                |           |                |            |                |
| <b>L</b>   | <b>3155165</b>   |          |                |          |                |           |                |            |                |
| <b>XL</b>  | <b>3155166</b>   |          |                |          |                |           |                |            |                |
| <b>XXL</b> | <b>3155167</b>   |          |                |          |                |           |                |            |                |





Performance, power and reliability.





# Emak Engines





# Easy to start, reliable and available in different configurations.

These vertical shaft engines are supplied in different displacements to satisfy every need. All models are high-powered, easy to start and simple to operate, as well as complying with mandatory environmental standards (Stage 5).

- **Easy starting:** with the Auto-Choke system, starting is easy and instantaneous, whatever the temperature.
- **Paper filter:** easy to clean and with a large filtering surface, it protects and extends the life of the engine.
- **Ergonomic design:** compact engine, with soft and tapered lines, limits interference under hedges and in the external environment.
- **Total compatibility:** these compact, lightweight engines are available in various displacements, suitable for different decks.
- **Easy maintenance:** cleaning the various components (air filter, spark plug, starter casing, etc.) and changing the engine oil are facilitated by the structural layout.



**Stage 5**  
Low environmental impact engine certified to current European standards (STAGE 5).



**OHV technology**  
Overhead valve engine layout, optimal combustion and consistent performance during heavy-duty use.



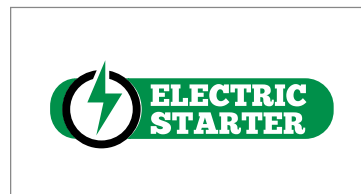
**Auto Choke**  
System for opening and closing the throttle to regulate the flow of air into the carburettor.



**iK-GO**  
Emak engine with electric starter powered by a rechargeable battery.



**Gasoline**  
Petrol-powered engine.



**Electric starter**  
Engine with electric starter device.



# Emak Engines Gardening Line

## The range



K 450

K 605

K 655  
K 655 HF

K 655 i

K 805

K 1250

K 1450

K 1600

K 2400





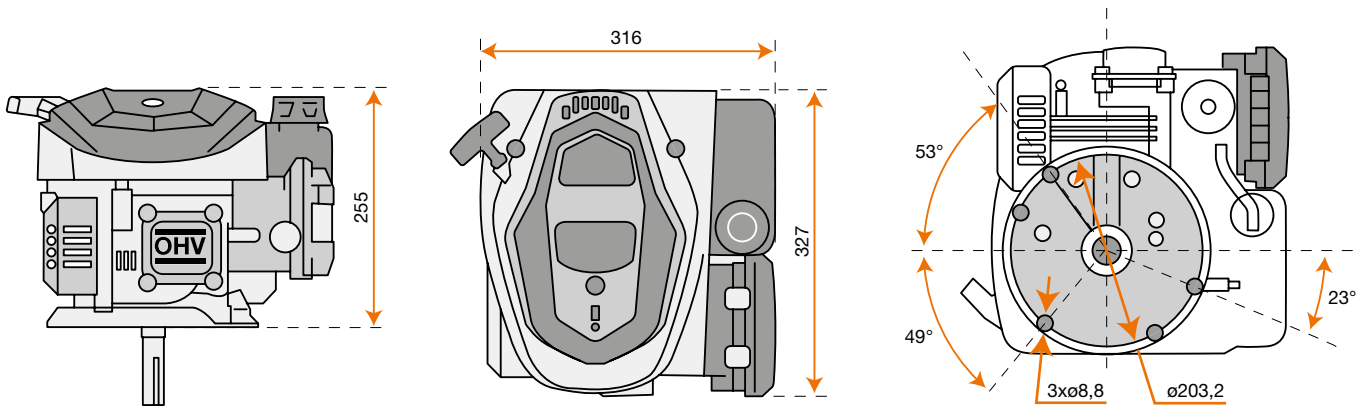




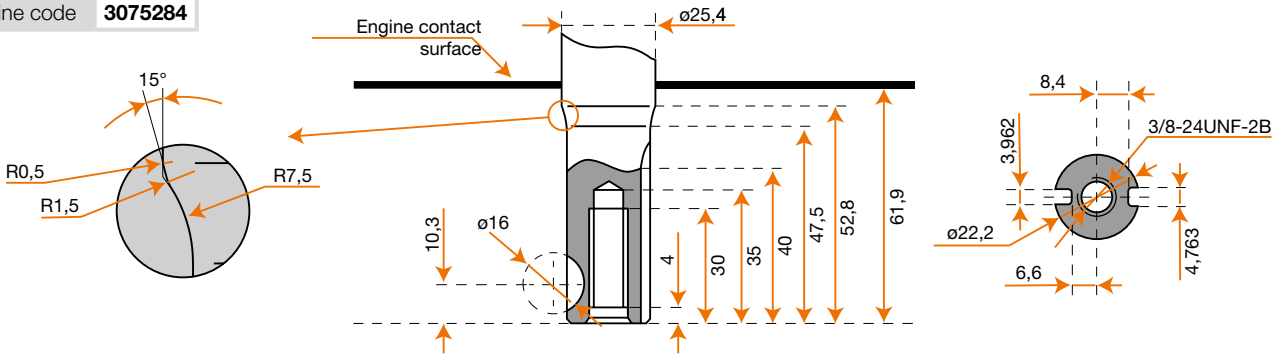
# Gardening Line



## Dimensions

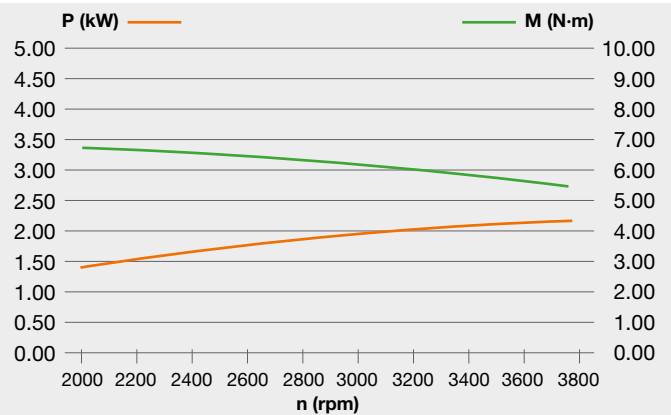


Engine code **3075284**



## K 450

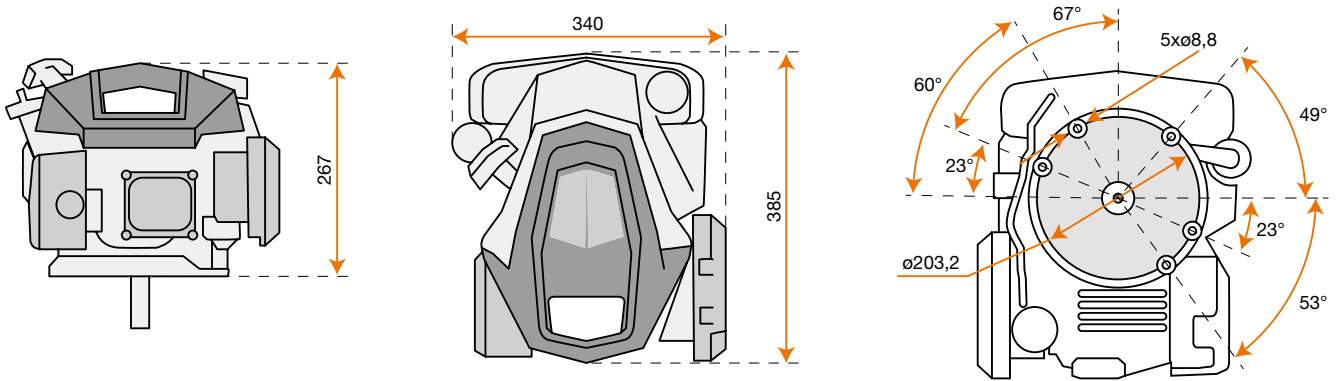
|                            |                            |
|----------------------------|----------------------------|
| <b>Net power</b>           | 2.8 HP - 2.1 kW / 3600 rpm |
| <b>Net torque</b>          | 6.5 N.m / 2500 rpm         |
| <b>Bore x Stroke</b>       | 65 mm x 37 mm              |
| <b>Displacement</b>        | 123 cm <sup>3</sup>        |
| <b>Starting</b>            | recoil start               |
| <b>Fuel capacity</b>       | 0.9 L                      |
| <b>Engine oil capacity</b> | 0.5 L                      |
| <b>Dimension</b>           | 385 x 340 x 267 mm         |
| <b>Net weight</b>          | 8.5 kg                     |



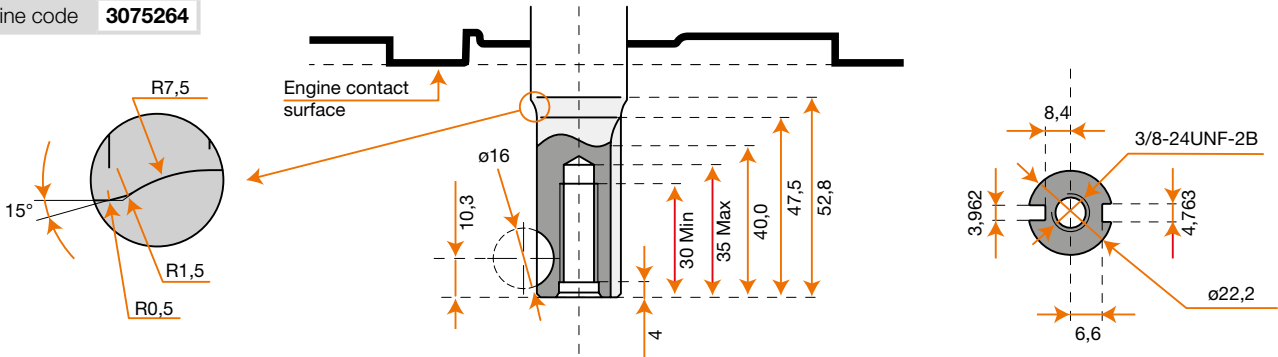
# Gardening Line



## Dimensions

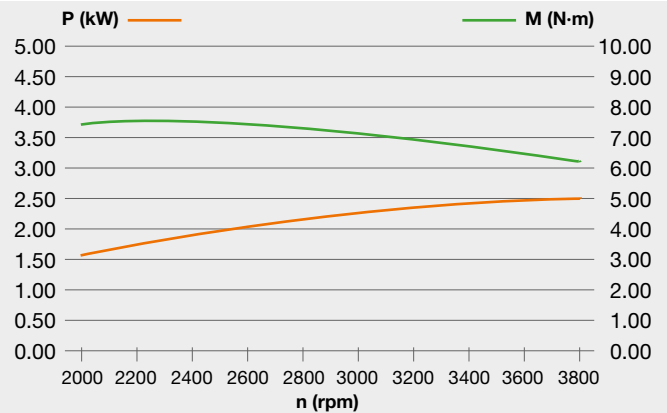


Engine code **3075264**



## K 605

|                            |                            |
|----------------------------|----------------------------|
| <b>Net power</b>           | 3.3 HP - 2.4 kW / 3600 rpm |
| <b>Net torque</b>          | 7.5 N.m / 2500 rpm         |
| <b>Bore x Stroke</b>       | 65 mm x 42 mm              |
| <b>Displacement</b>        | 139 cm <sup>3</sup>        |
| <b>Starting</b>            | recoil start               |
| <b>Fuel capacity</b>       | 1.4 L                      |
| <b>Engine oil capacity</b> | 0.5 L                      |
| <b>Dimension</b>           | 385 x 340 x 267 mm         |
| <b>Net weight</b>          | 9.2 kg                     |



# Gardening Line



5  
STAGE  
Emission compliant  
EU regulation

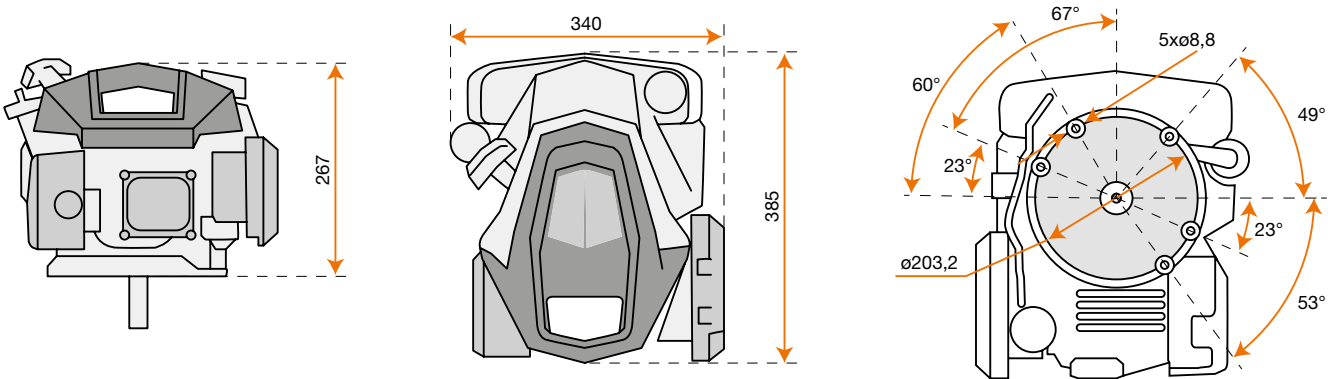
OHV  
technology

Auto  
Choke

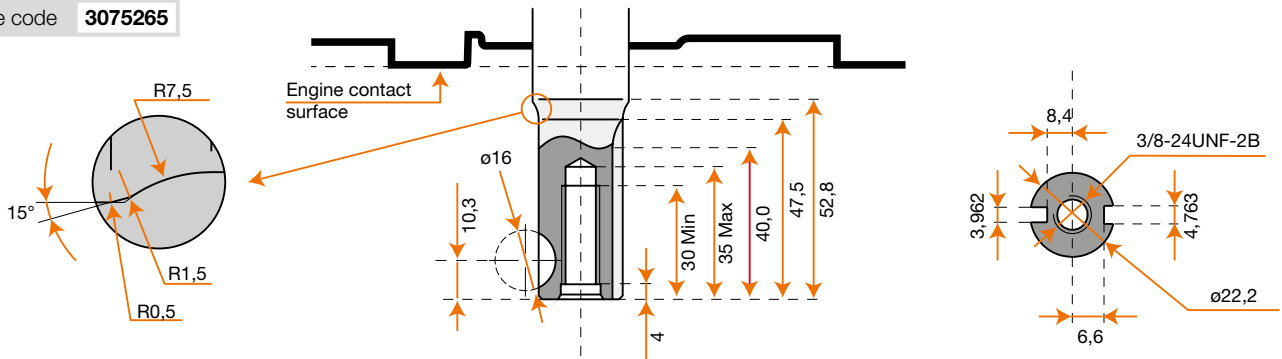
gasoline



## Dimensions

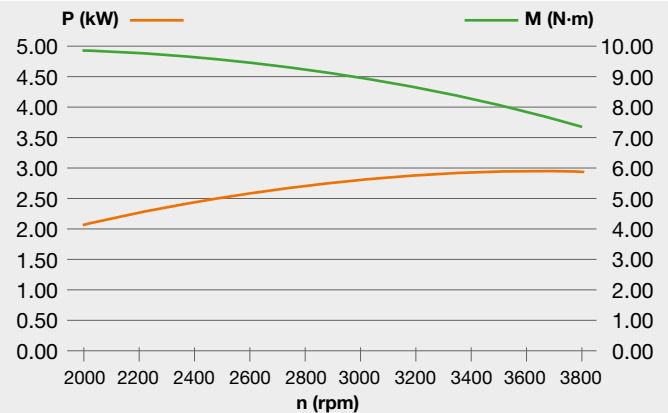


Engine code **3075265**



## K 655

|                            |                            |
|----------------------------|----------------------------|
| <b>Net power</b>           | 3.9 HP - 2.9 kW / 3600 rpm |
| <b>Net torque</b>          | 9.5 N.m / 2500 rpm         |
| <b>Bore x Stroke</b>       | 65 mm x 50 mm              |
| <b>Displacement</b>        | 166 cm <sup>3</sup>        |
| <b>Starting</b>            | recoil start               |
| <b>Fuel capacity</b>       | 1.4 L                      |
| <b>Engine oil capacity</b> | 0.5 L                      |
| <b>Dimension</b>           | 385 x 340 x 267 mm         |
| <b>Net weight</b>          | 9.2 kg                     |

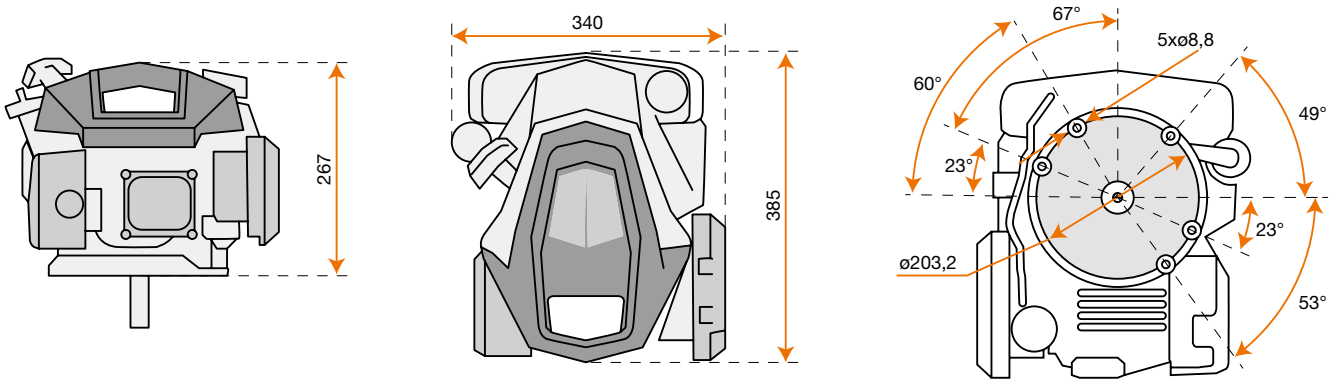




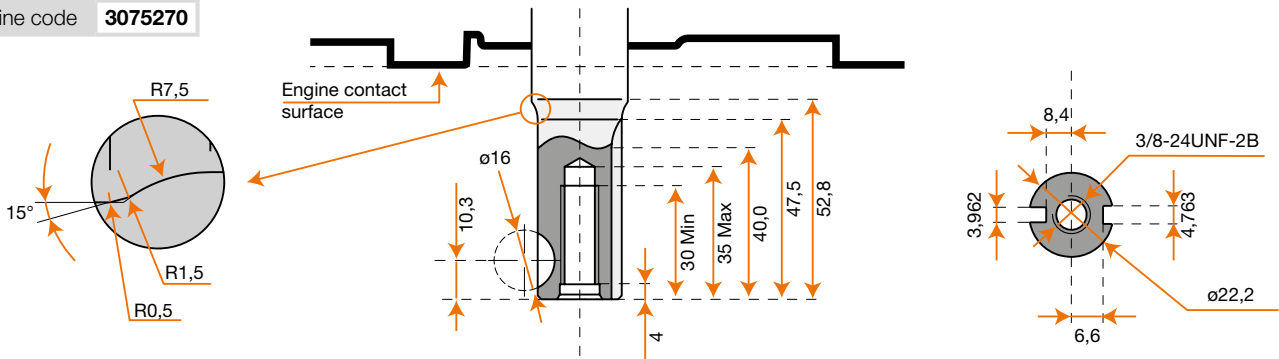
# Gardening Line



## Dimensions

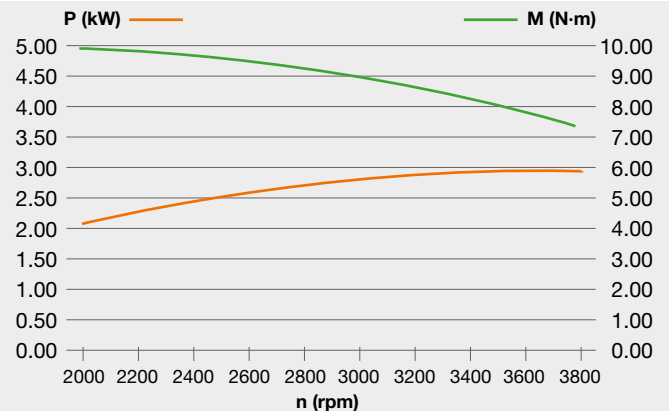


Engine code **3075270**



## K 655 HF

|                            |                            |
|----------------------------|----------------------------|
| <b>Net power</b>           | 3.9 HP - 2.9 kW / 3600 rpm |
| <b>Net torque</b>          | 9.5 N.m / 2500 rpm         |
| <b>Bore x Stroke</b>       | 65 mm x 50 mm              |
| <b>Displacement</b>        | 166 cm <sup>3</sup>        |
| <b>Starting</b>            | recoil start               |
| <b>Fuel capacity</b>       | 1.4 L                      |
| <b>Engine oil capacity</b> | 0.5 L                      |
| <b>Dimension</b>           | 385 x 340 x 267 mm         |
| <b>Net weight</b>          | 10.5 kg                    |

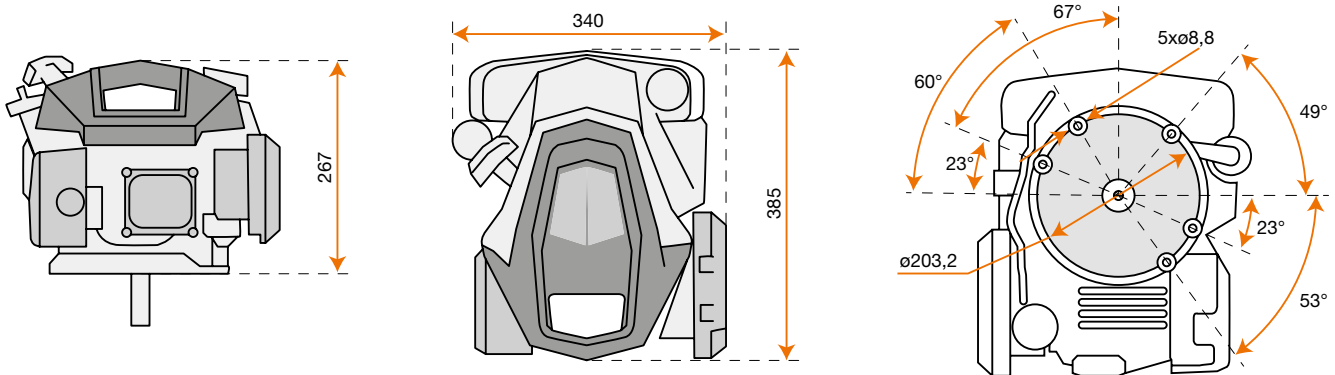


**Notes:** engine with heavy flywheel, suitable for applications where a higher moment of inertia is required.

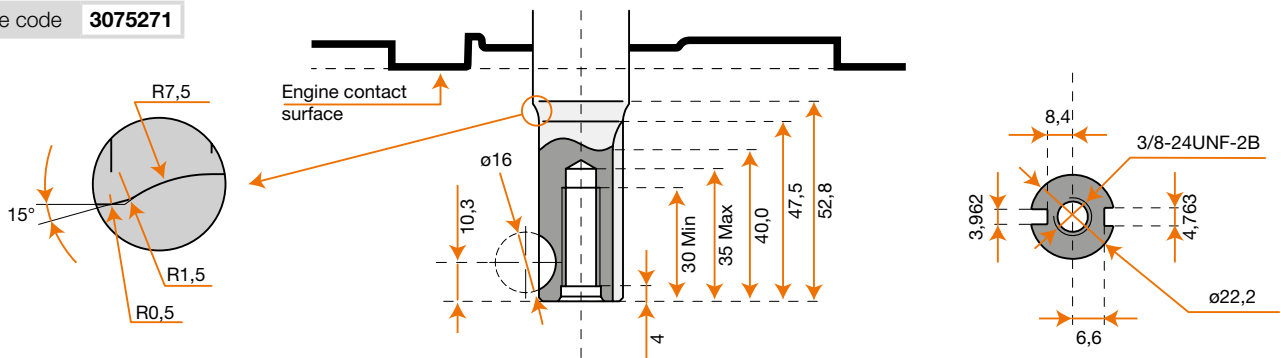
# Gardening Line



## Dimensions

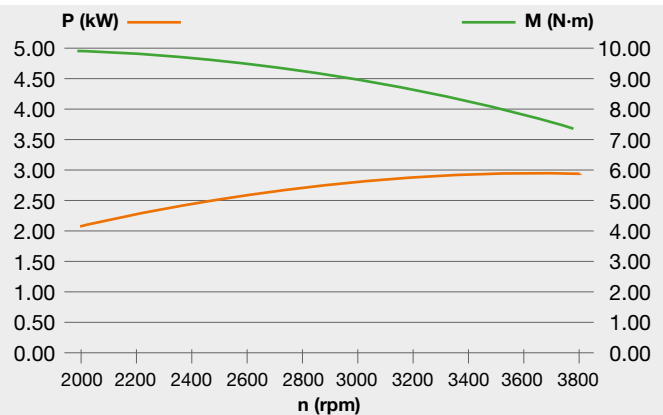


Engine code **3075271**



## K 655 i

|                            |                            |
|----------------------------|----------------------------|
| <b>Net power</b>           | 3.9 HP - 2.9 kW / 3600 rpm |
| <b>Net torque</b>          | 9.5 N.m / 2500 rpm         |
| <b>Bore x Stroke</b>       | 65 mm x 50 mm              |
| <b>Displacement</b>        | 166 cm <sup>3</sup>        |
| <b>Starting</b>            | recoil start/electric      |
| <b>Fuel capacity</b>       | 1.4 L                      |
| <b>Engine oil capacity</b> | 0.5 L                      |
| <b>Dimension</b>           | 385 x 340 x 267 mm         |
| <b>Net weight</b>          | 10.7 kg                    |



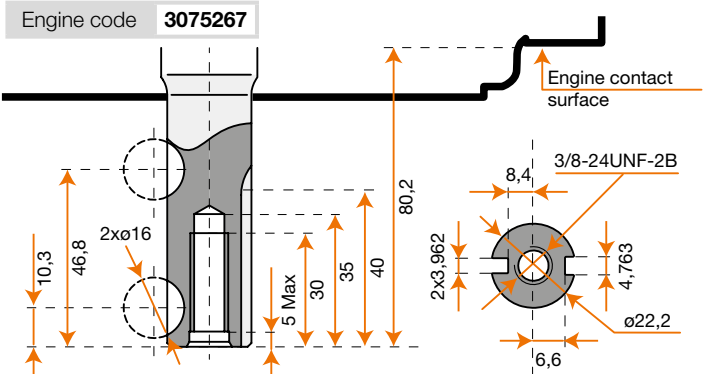
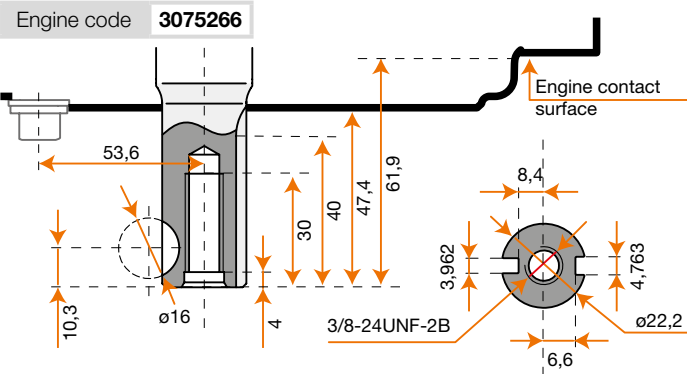
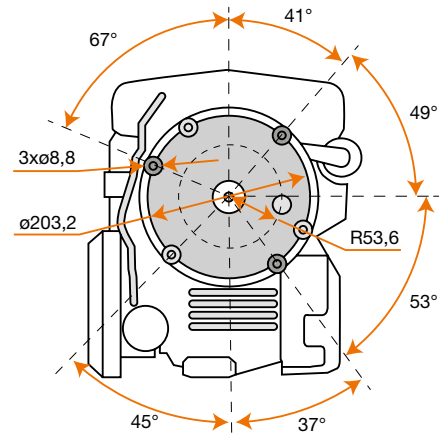
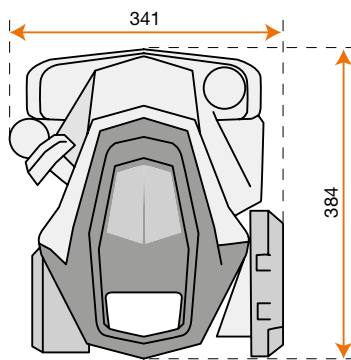
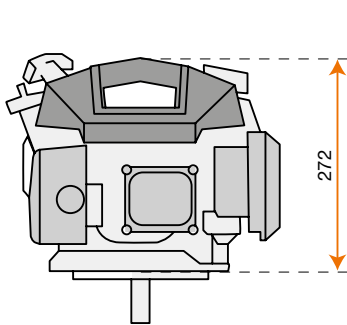
Optional: battery (code **3075272R**) and battery charger (code **3075273R**)



# Gardening Line

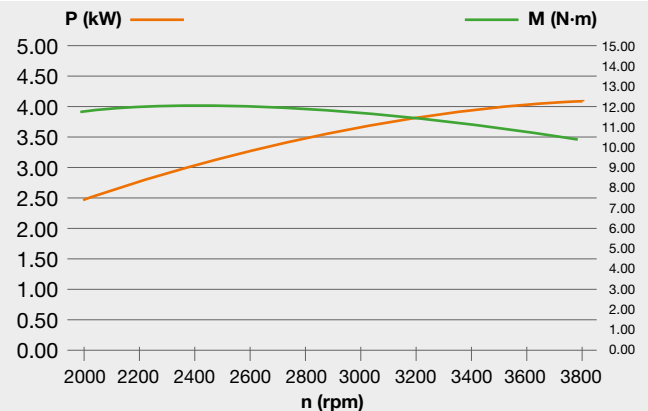


## Dimensions



## K 805

|                            |                            |
|----------------------------|----------------------------|
| <b>Net power</b>           | 5.4 HP - 4.0 kW / 3600 rpm |
| <b>Net torque</b>          | 12 N.m / 2500 rpm          |
| <b>Bore x Stroke</b>       | 70 mm x 50.84 mm           |
| <b>Displacement</b>        | 196 cm <sup>3</sup>        |
| <b>Starting</b>            | recoil start               |
| <b>Fuel capacity</b>       | 1.4 L                      |
| <b>Engine oil capacity</b> | 0.5 L                      |
| <b>Dimension</b>           | 384 x 341 x 272 mm         |
| <b>Net weight</b>          | 12.8 kg                    |

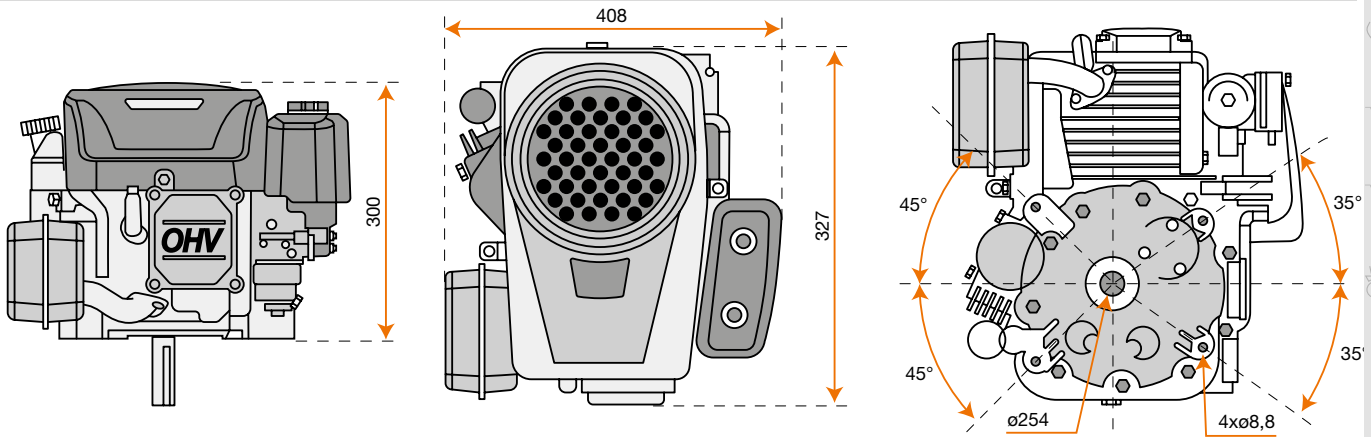




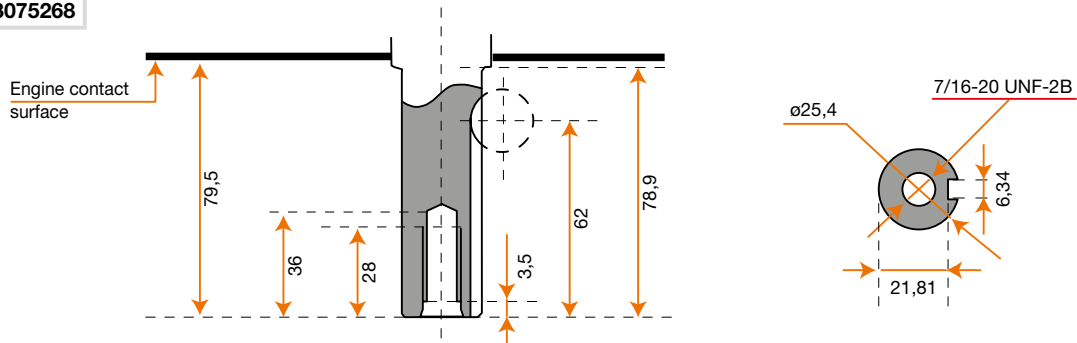
# Gardening Line



## Dimensions

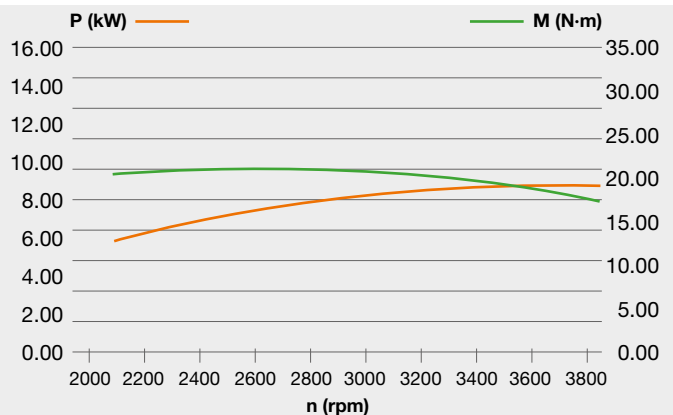


Engine code **3075268**



## K 1250

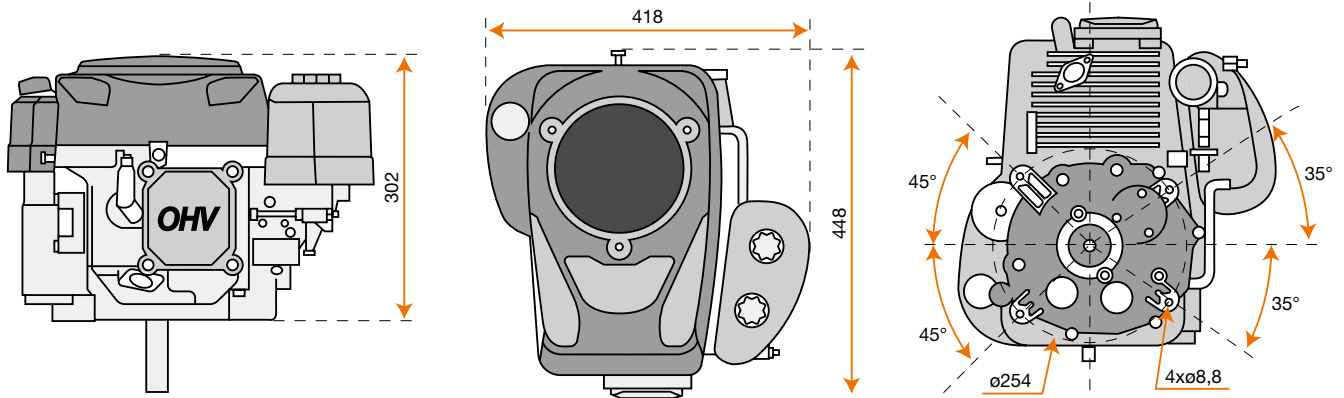
|                            |                             |
|----------------------------|-----------------------------|
| <b>Net power</b>           | 11.7 HP - 8.6 kW / 3600 rpm |
| <b>Net torque</b>          | 22 N.m / 2600 rpm           |
| <b>Bore x Stroke</b>       | 88 mm x 68 mm               |
| <b>Displacement</b>        | 413 cm <sup>3</sup>         |
| <b>Starting</b>            | electric                    |
| <b>Fuel capacity</b>       | not available               |
| <b>Engine oil capacity</b> | 1.2 L                       |
| <b>Dimension</b>           | 432 x 408 x 300 mm          |
| <b>Net weight</b>          | 31 kg                       |



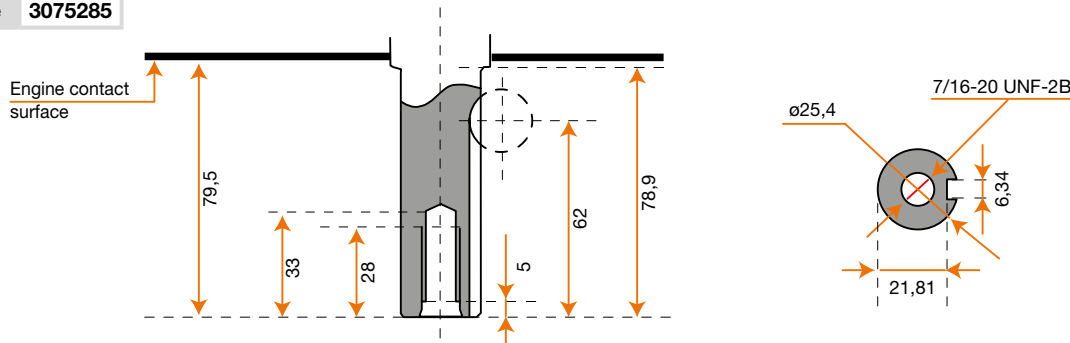
# Gardening Line



## Dimensions

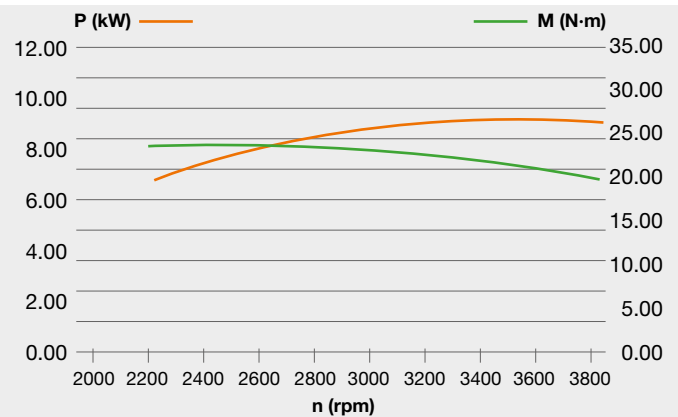


Engine code **3075285**



## K 1450

|                            |                           |
|----------------------------|---------------------------|
| <b>Net power</b>           | 12 HP - 8.8 kW / 3600 rpm |
| <b>Net torque</b>          | 24 N.m / 2600 rpm         |
| <b>Bore x Stroke</b>       | 90 mm x 68 mm             |
| <b>Displacement</b>        | 432 cm <sup>3</sup>       |
| <b>Starting</b>            | electric                  |
| <b>Fuel capacity</b>       | not available             |
| <b>Engine oil capacity</b> | 1.2 L                     |
| <b>Dimension</b>           | 448 x 418 x 302 mm        |
| <b>Net weight</b>          | 32.5 kg                   |



# Gardening Line



Evolution compliant  
EU regulation  
**STAGE 5**

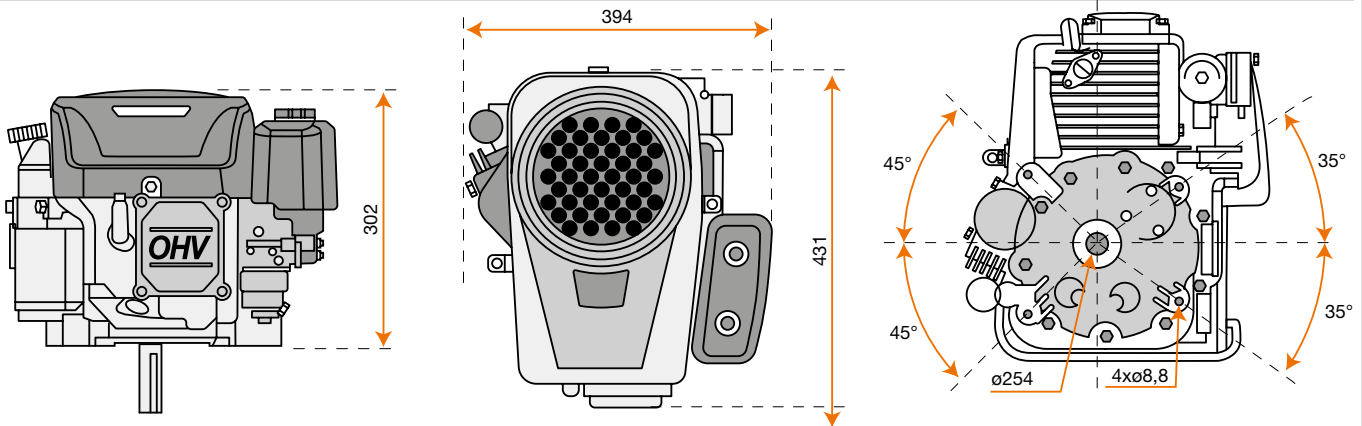
**OHV**  
technology

gasoline

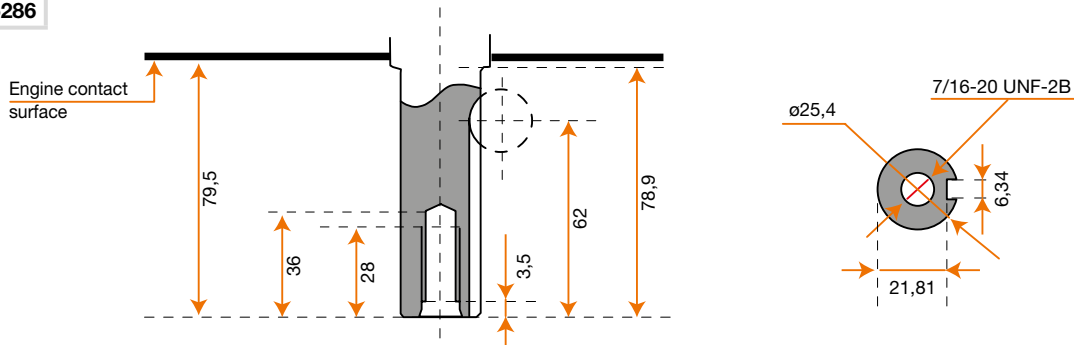
**ELECTRIC STARTER**



## Dimensions

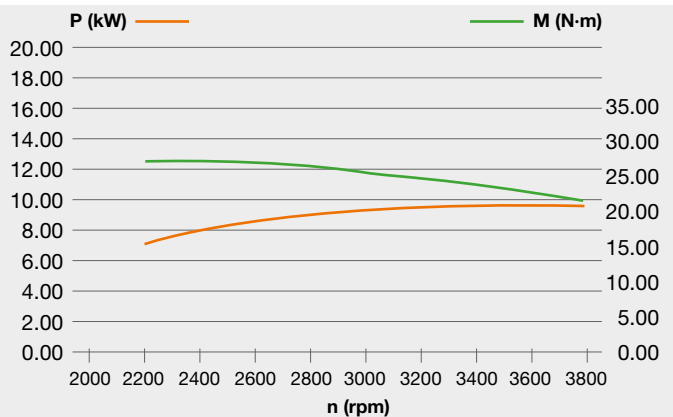


Engine code **3075286**



## K 1600

|                            |                             |
|----------------------------|-----------------------------|
| <b>Net power</b>           | 12.5 HP - 9.2 kW / 3600 rpm |
| <b>Net torque</b>          | 27 N.m / 2600 rpm           |
| <b>Bore x Stroke</b>       | 92 mm x 68 mm               |
| <b>Displacement</b>        | 452 cm <sup>3</sup>         |
| <b>Starting</b>            | electric                    |
| <b>Fuel capacity</b>       | not available               |
| <b>Engine oil capacity</b> | 1.2 L                       |
| <b>Dimension</b>           | 432 x 294 x 302 mm          |
| <b>Net weight</b>          | 31 kg                       |





# Gardening Line



Emission compliant  
EU regulated  
**5**  
STAGE

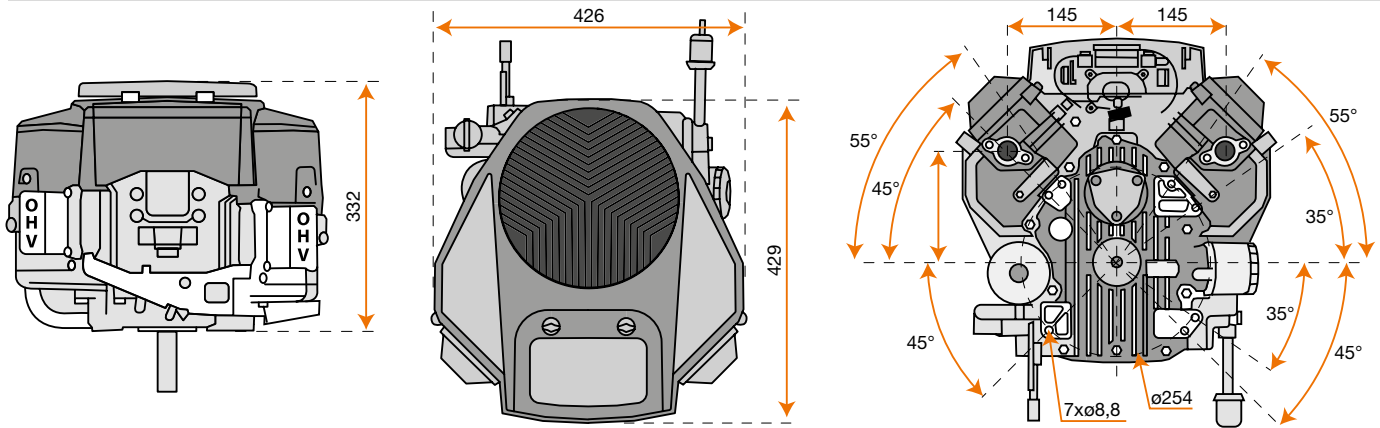
OHV  
technology

gasoline

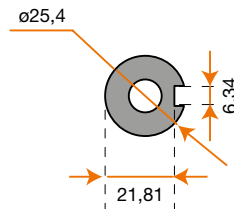
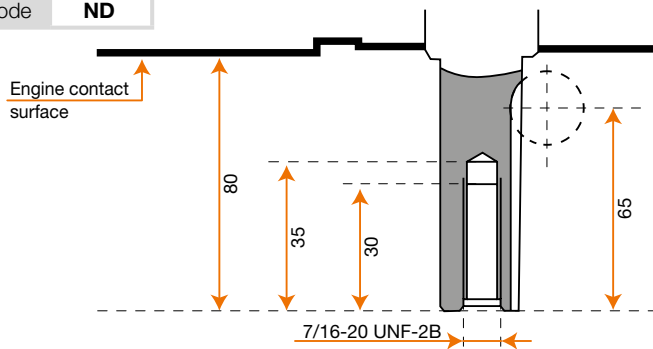
ELECTRIC  
STARTER



## Dimensions

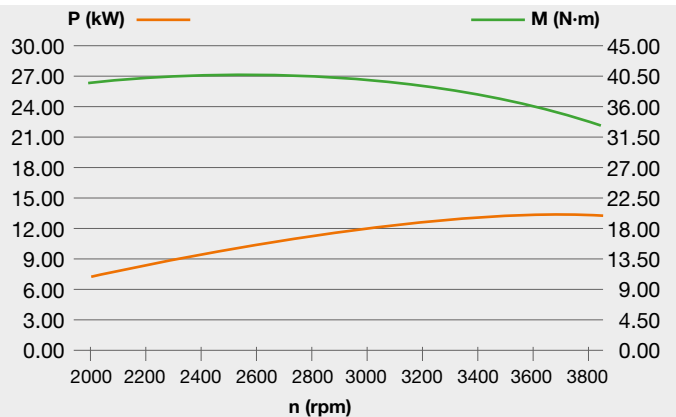


Engine code **ND**



## K 1900 V-Twin

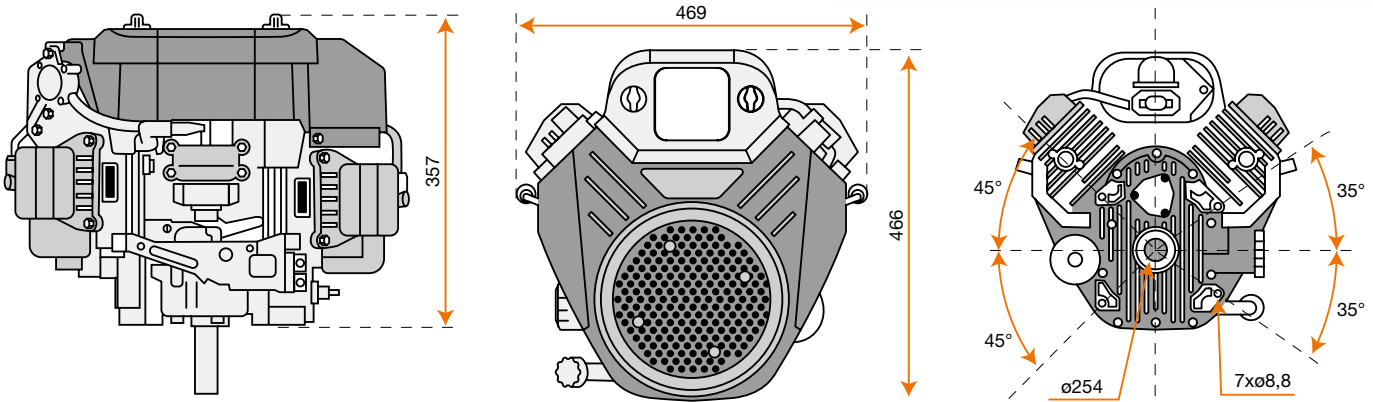
|                            |                              |
|----------------------------|------------------------------|
| <b>Net power</b>           | 18.5 HP – 13.6 kW / 3600 rpm |
| <b>Net torque</b>          | 36 N.m / 3600 rpm            |
| <b>Bore x Stroke</b>       | 73 mm x 70 mm                |
| <b>Displacement</b>        | 586 cm <sup>3</sup>          |
| <b>Starting</b>            | electric                     |
| <b>Fuel capacity</b>       | not available                |
| <b>Engine oil capacity</b> | 1.7 L                        |
| <b>Dimension</b>           | 430 x 425 x 412 mm           |
| <b>Net weight</b>          | 36 kg                        |



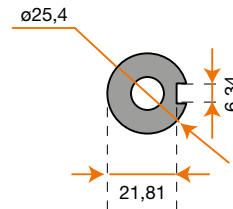
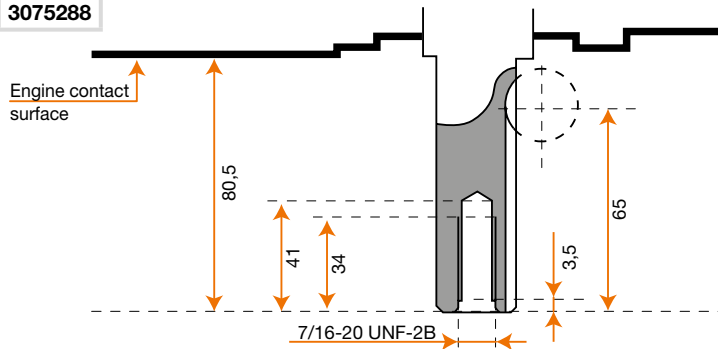
# Gardening Line



## Dimensions

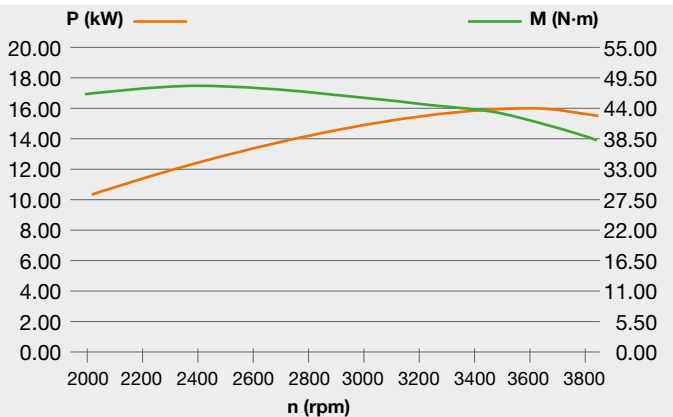


Engine code **3075288**



## K 2400 V-Twin

|                            |                            |
|----------------------------|----------------------------|
| <b>Net power</b>           | 21.7 HP - 16 kW / 3600 rpm |
| <b>Net torque</b>          | 47.5 N.m / 2400 rpm        |
| <b>Bore x Stroke</b>       | 77 mm x 76 mm              |
| <b>Displacement</b>        | 708 cm <sup>3</sup>        |
| <b>Starting</b>            | electric                   |
| <b>Fuel capacity</b>       | not available              |
| <b>Engine oil capacity</b> | 1.8 L                      |
| <b>Dimension</b>           | 466 x 469 x 357 mm         |
| <b>Net weight</b>          | 43 kg                      |



# Performance, power and reliability. Petrol or Diesel-powered versions for every type of use.

These horizontal shaft engines are supplied with different displacements and power outputs to satisfy every need. They are high-powered, easy to start and simple to operate, as well as complying with mandatory environmental standards (Stage 5). The distribution system and overhead valves (OHV) ensure a longer service life.

- **Easy starting:** distribution system and large recoil starter pulley for safe and effortless starting.
- **Oil bath filter** with two stages, sponge and oil; retains any impurities before they enter the combustion chamber, extending the life cycle of the engine.
- **Total compatibility:** these compact, powerful petrol or diesel engines, also available with an electric starter, are suitable for a variety of agricultural uses.
- **Easy maintenance:** cleaning the various components (oil filter, spark plug, starter casing, etc.) and changing the engine oil are facilitated by the structural layout.



**Stage 5**  
Low environmental impact engine certified to current European standards (STAGE 5).



**OHV technology**  
Overhead valve engine layout, optimal combustion and consistent performance during heavy-duty use.



**Oil bath filter**  
Oil-bath air filter system. Retains even the finest dust particles.



**Automatic decompressor**  
Reduces the operator effort required during the starting phases. Automatic management of the decompression system.



**KeyGo**  
Electric starter device. The engine is activated by a key-operated switch.



**Gasoline**  
Petrol-powered engine.  
**Diesel**  
Diesel-powered engine.

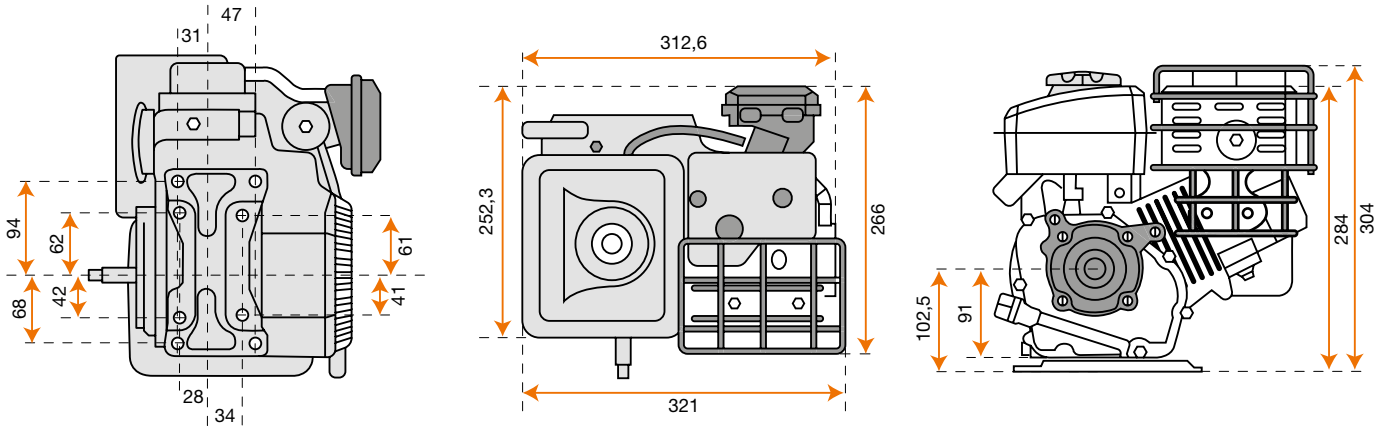




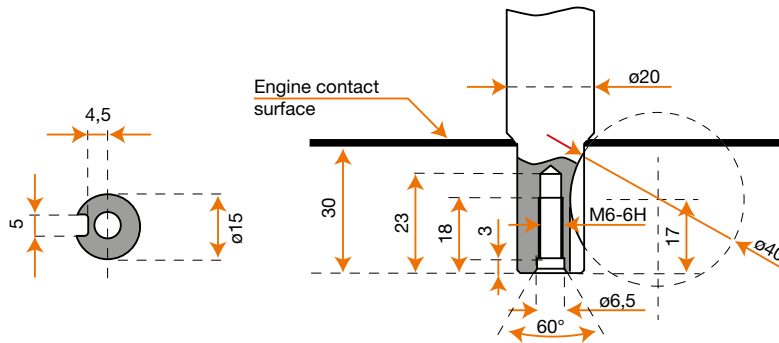
# Agriculture Line



## Dimensions

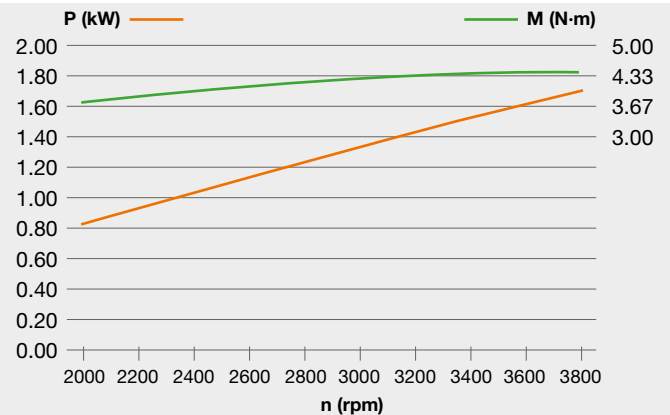


Engine code **3075274**



## K 300 H

|                            |                             |
|----------------------------|-----------------------------|
| <b>Net power</b>           | 2.2 HP - 1.65 kW / 3600 rpm |
| <b>Net torque</b>          | 4.5 N.m / 3450 rpm          |
| <b>Bore x Stroke</b>       | 48.6 mm x 43 mm             |
| <b>Displacement</b>        | 80 cm <sup>3</sup>          |
| <b>Starting</b>            | recoil start                |
| <b>Fuel capacity</b>       | 1.6 L                       |
| <b>Engine oil capacity</b> | 0.35 L                      |
| <b>Dimension</b>           | 325 x 260 x 310 mm          |
| <b>Net weight</b>          | 12.8 kg                     |



# Agriculture Line



5  
STAGE  
Emission  
compliant  
EU regulation

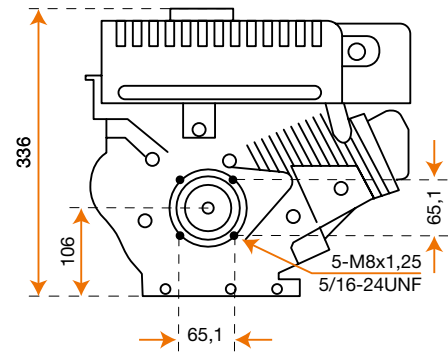
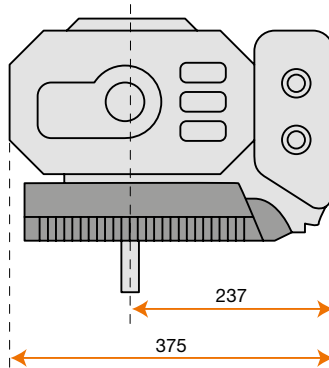
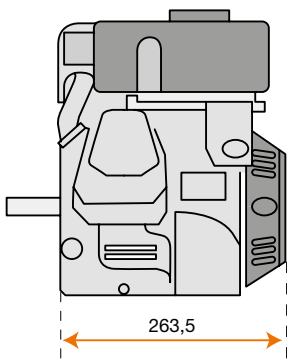
OHV  
technology

OIL BATH  
FILTER

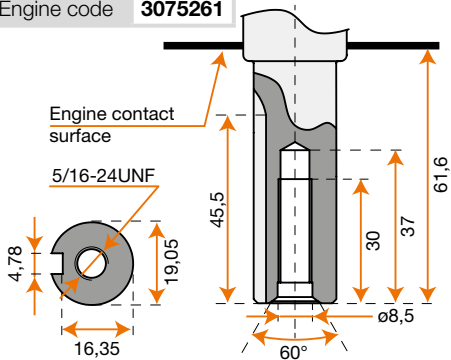
gasoline



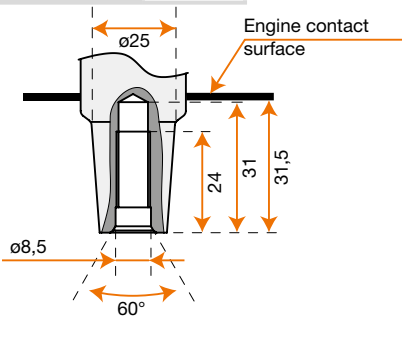
## Dimensions



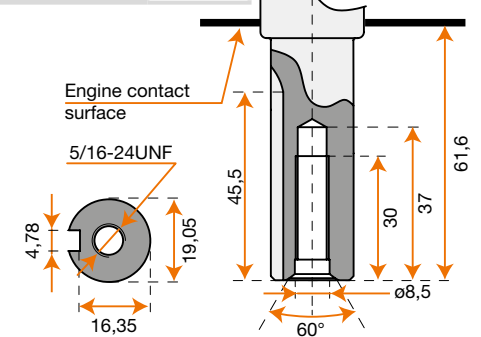
Engine code **3075261**



Engine code **3075208A**

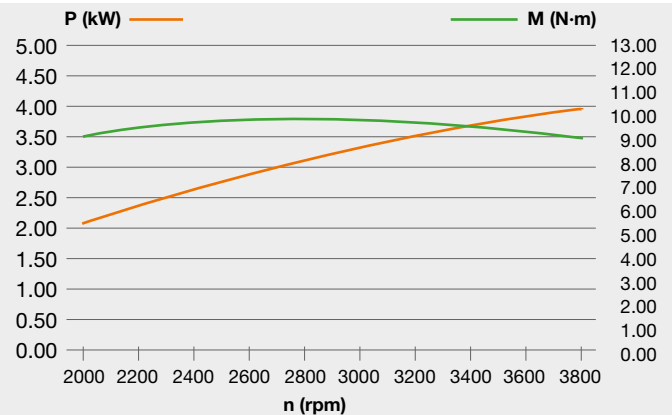


Engine code **3075209A**



## K 800 H-HC-HT

|                            |                            |
|----------------------------|----------------------------|
| <b>Net power</b>           | 5.7 HP - 4.2 kW / 3600 rpm |
| <b>Net torque</b>          | 10.8 N.m / 2500 rpm        |
| <b>Bore x Stroke</b>       | 65 mm x 55 mm              |
| <b>Displacement</b>        | 182 cm <sup>3</sup>        |
| <b>Starting</b>            | recoil start               |
| <b>Fuel capacity</b>       | 3.0 L                      |
| <b>Engine oil capacity</b> | 0.6 L                      |
| <b>Dimension</b>           | 263.5 x 375 x 336 mm       |
| <b>Net weight</b>          | 16 kg                      |

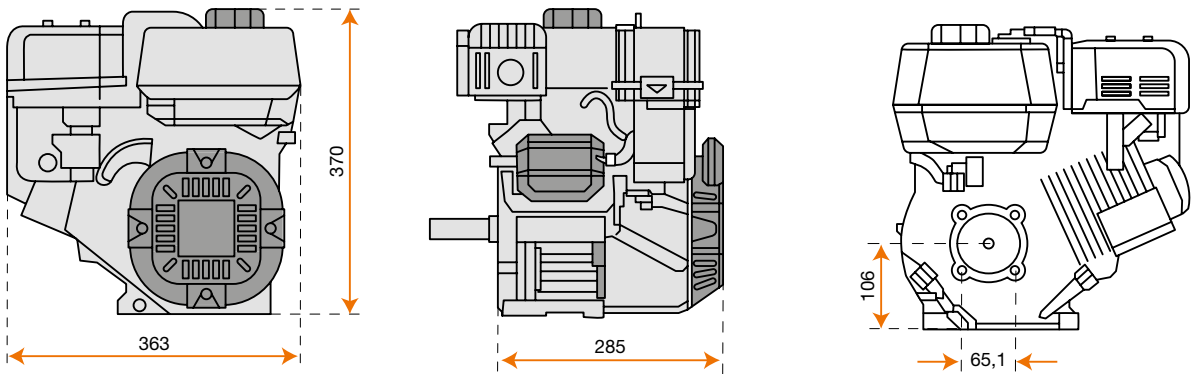




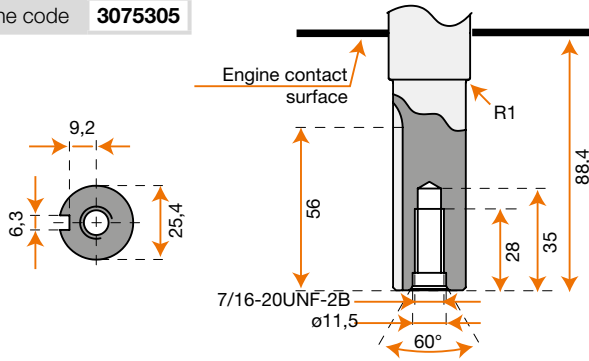
# Agriculture Line



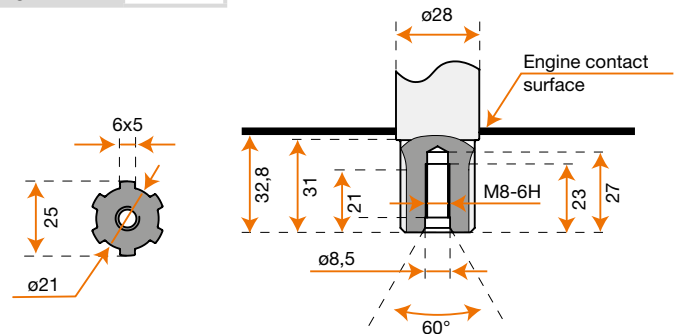
## Dimensions



Engine code **3075305**

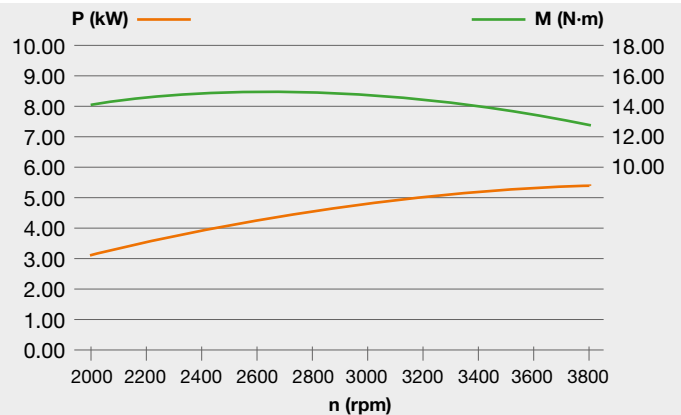


Engine code **3075210**



## K 900 H-HR

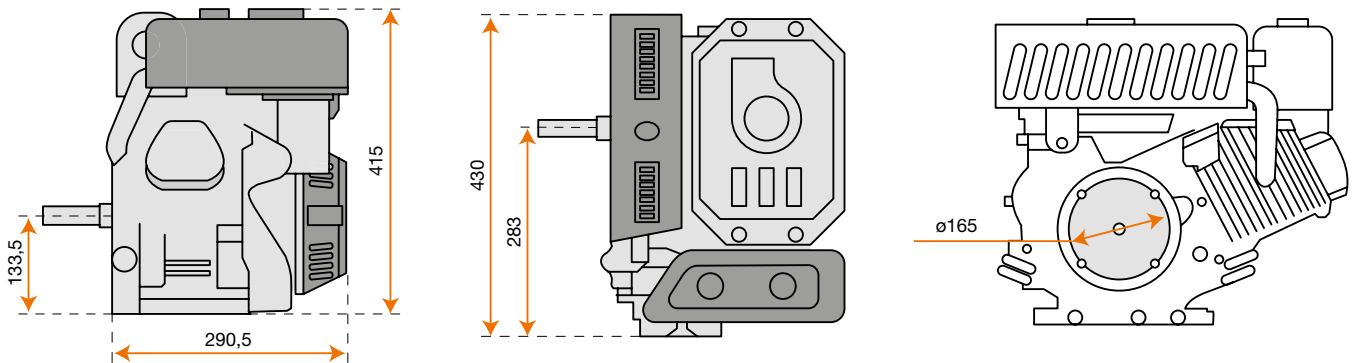
|                            |                            |
|----------------------------|----------------------------|
| <b>Net power</b>           | 7.0 HP - 5.2 kW / 3600 rpm |
| <b>Net torque</b>          | 15.6 N.m / 2600 rpm        |
| <b>Bore x Stroke</b>       | 75 mm x 57 mm              |
| <b>Displacement</b>        | 252 cm <sup>3</sup>        |
| <b>Starting</b>            | recoil start               |
| <b>Fuel capacity</b>       | 4.0 L                      |
| <b>Engine oil capacity</b> | 0.7 L                      |
| <b>Dimension</b>           | 363 x 285 x 370 mm         |
| <b>Net weight</b>          | 16.5 kg                    |



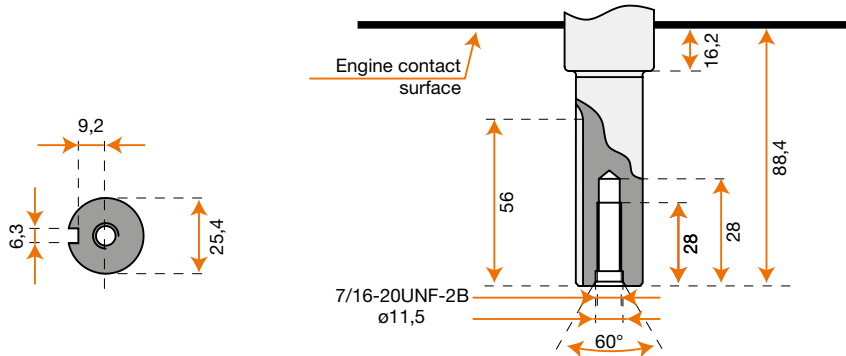
# Agriculture Line



## Dimensions

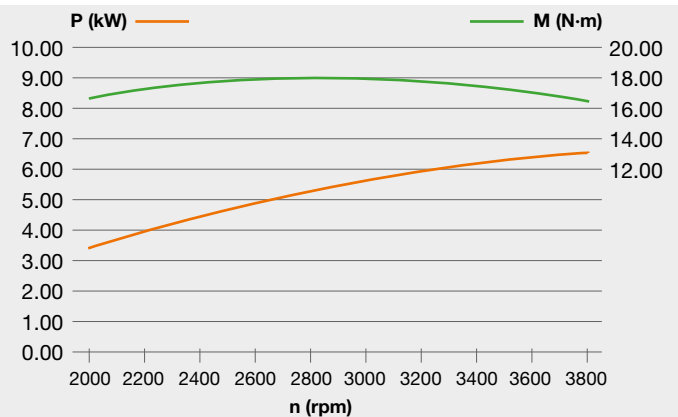


Engine code **3075070A**



## K 1100 H

|                            |                            |
|----------------------------|----------------------------|
| <b>Net power</b>           | 8.4 HP - 6.2 kW / 3600 rpm |
| <b>Net torque</b>          | 18.5 N.m / 2500 rpm        |
| <b>Bore x Stroke</b>       | 80 mm x 60 mm              |
| <b>Displacement</b>        | 302 cm <sup>3</sup>        |
| <b>Starting</b>            | recoil start               |
| <b>Fuel capacity</b>       | 4.6 L                      |
| <b>Engine oil capacity</b> | 0.9 L                      |
| <b>Dimension</b>           | 290.5 x 430 x 415 mm       |
| <b>Net weight</b>          | 26.5 kg                    |

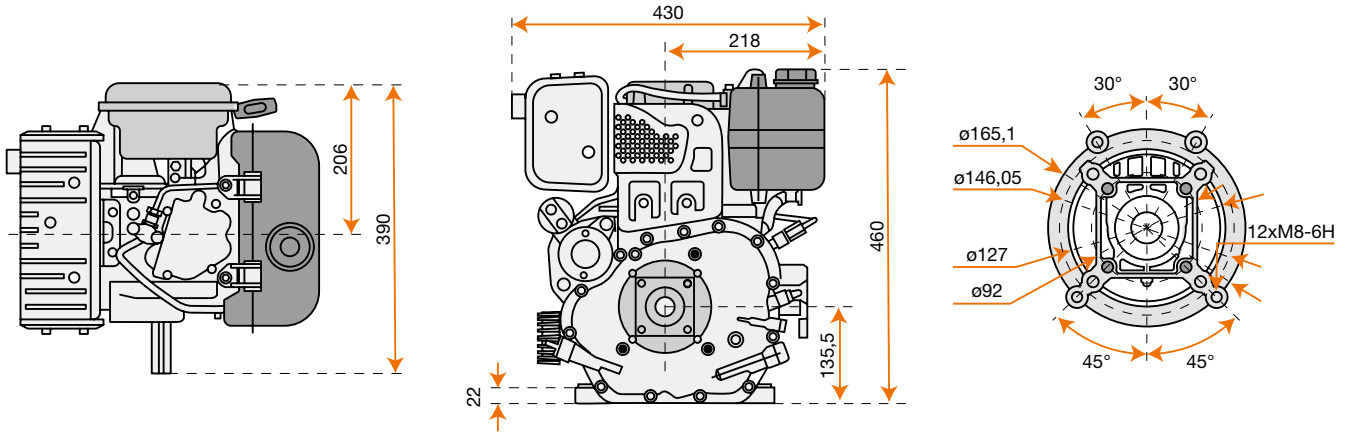


# Agriculture Line

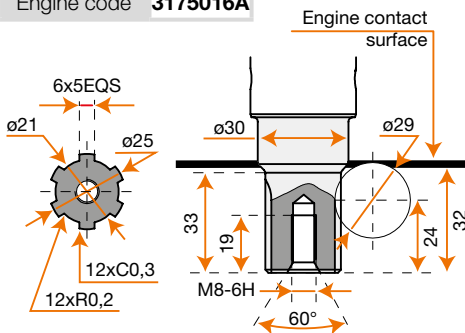


electric version

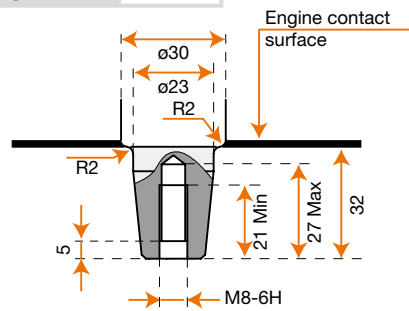
## Dimensions



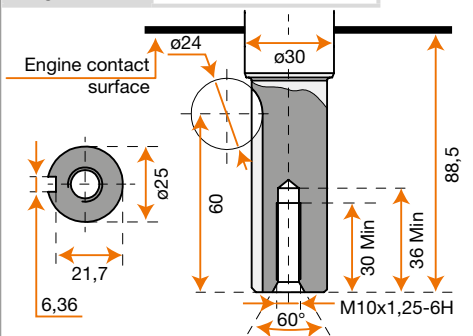
Engine code **3175016A**



Engine code **3175040**

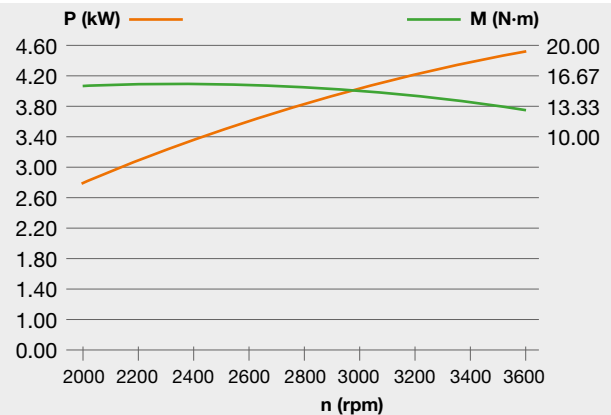


Engine code **3175038\* - 3175039**



## K 7000 HD-HDR

|                            |  |
|----------------------------|--|
| <b>Net power</b>           | 6.7 HP - 4.9 kW / 3600 rpm             |
| <b>Net torque</b>          | 15.5 N.m / 2400 rpm                    |
| <b>Bore x Stroke</b>       | 78 mm x 73 mm                          |
| <b>Displacement</b>        | 349 cm <sup>3</sup>                    |
| <b>Starting</b>            | recoil start<br>recoil start/electric* |
| <b>Fuel capacity</b>       | 3.5 L                                  |
| <b>Engine oil capacity</b> | 1.1 L                                  |
| <b>Dimension</b>           | 390 x 430 x 460 mm                     |
| <b>Net weight</b>          | 39 kg<br>44 kg*                        |



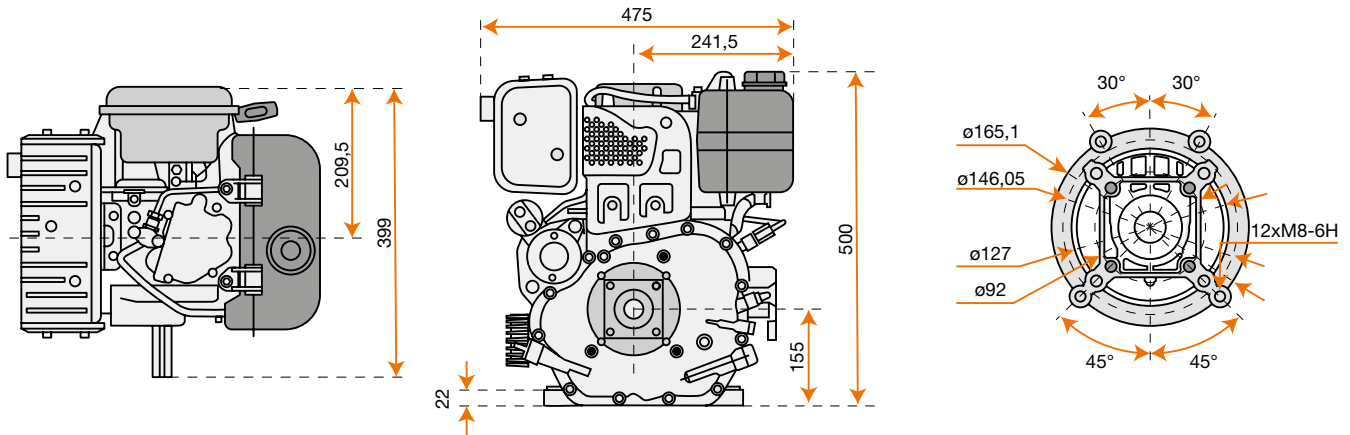
\* electric version (Engine code **3175038**)



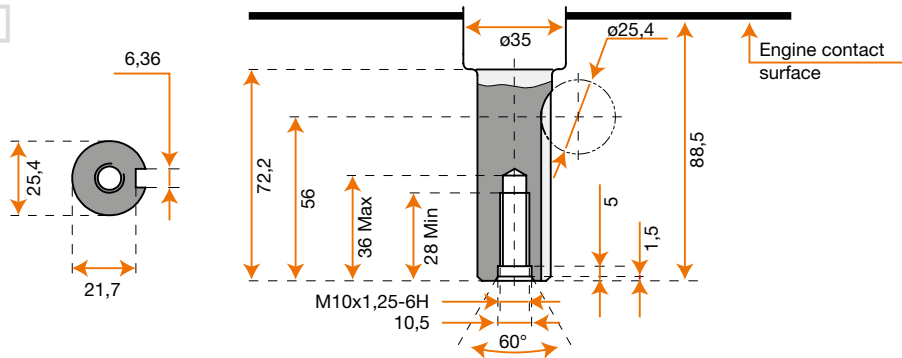
# Agriculture Line



## Dimensions

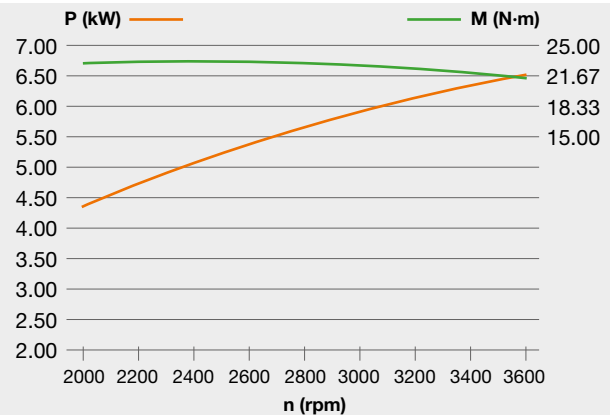


Engine code **3175041**



## K 9000 HD

|                            |                            |
|----------------------------|----------------------------|
| <b>Net power</b>           | 9.2 HP - 6.8 kW / 3600 rpm |
| <b>Net torque</b>          | 22 N.m / 2400 rpm          |
| <b>Bore x Stroke</b>       | 86 mm x 76 mm              |
| <b>Displacement</b>        | 441 cm <sup>3</sup>        |
| <b>Starting</b>            | recoil start/electric      |
| <b>Fuel capacity</b>       | 4.5 L                      |
| <b>Engine oil capacity</b> | 1.6 L                      |
| <b>Dimension</b>           | 399 x 475 x 500 mm         |
| <b>Net weight</b>          | 51 kg                      |





---

## General warnings

Data and illustrations published in the catalogue are not binding where specifications of materials are concerned, given that these will always be subject to technical improvement. Technical specifications given in the catalogue are subject to change without notice, as also are directions relating to general use of the equipment.

Certain items are not available in all countries, or are available only on request.

---





**Uleao**





Subject to modifications. Some models are available for certain markets only. - Mod. 001.1020516 - 2025

It's an **Emak S.p.A.** trademark  
42011 Bagnolo in Piano (RE) Italy  
[myoleomac.com](http://myoleomac.com)

